



# Power Flood Pro

## PFSXW13LED 13 Watt LED Power Flood



### SPECIFICATIONS:

**Lumens:** 1765  
**Watts:** 14.20  
**Lumens/Watt:** 124.3  
**CRI:** 82.7  
**CCT:** 4448  
**Lifespan:** 200,000+ hrs.<sup>1</sup>

#### Construction:

Designed for commercial and industrial applications, providing cooler operating temperatures, brighter light and longer LED life. Apertures for field or factory installed photocontrol. Heavy duty knuckle with 90° adjustment.

#### Extra Wide Distribution Pattern:

Designed to provide maximum light spread for short set backs when lighting signs and washing walls.

#### Thermal Management:

Atlas Power Flood Pro fixtures are designed as a complete system to optimize LED life and light output. The Patent Pending thermal stacking heat removal technology extracts heat from within the housing moving it away from LEDs and components. The lower temperatures result in long LED life (200,000+ hrs) and component life and also allows for higher light output.

#### Listings:

Luminaire is certified to cUL and CSA Standards for Wet Locations Lighting Facts Certified DesignLights Consortium qualified luminaire, eligible for rebates from DLC member utilities.

#### AC Input:

120/208/240/277 V

#### Driver:

Constant current, Class 2, 120-277 VAC, 50-60 Hz  
 High Efficiency – min. 84%  
 Off-State Power: 0 Watts  
 0-10 V Dimming

#### LEDs:

4500K CCT  
 Epoxy Guard™ protective conformal coated boards

Atlas LEDs provide higher lumen output, greater energy efficiency and more reliable fixture performance.

#### Testing:

Atlas LED luminaires have been tested by an independent laboratory in accordance with IESNA LM-79 & LM-80, and have received the Department of Energy "Lighting Facts" label.

#### Warranty:

Five-year limited warranty

#### Photo Control:

For factory installed 120V button photo control add suffix PC to part number.

### Project Information

Job Name

Fixture Type 13 Watt LED Power Flood

Catalog Number PFSXW13LED

Approved by

**Alpha Series LED**  
 PROFESSIONAL GRADE

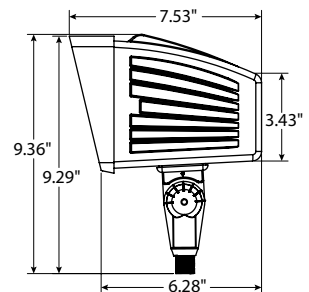
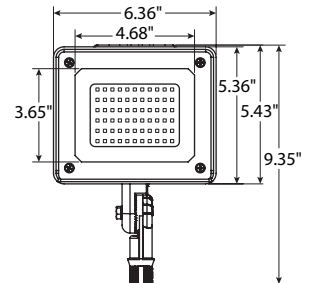


**PFSXW13LED Design is Protected by US Patent D710,530**

### DIMENSIONS:

**Weight:** 7 lbs.

**EPA:** 0.33



<sup>1</sup>LED Life Span Based Upon LM-80 Test Results

**Rebates and Incentives are available in many areas. Contact an Atlas Representative for more information.**

**ATLAS LIGHTING PRODUCTS, INC.**

PO BOX 2348 | BURLINGTON, NC 27216

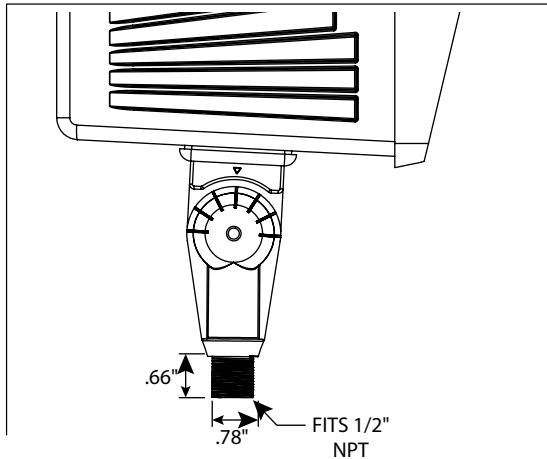
800-849-8485 | FAX: 336-227-0110 | www.atlasled.com

Made in the USA of US and imported parts. Meets Buy American requirements within the ARRA.

**ENERGY SAVINGS**

LED		HID			ANNUAL SAVINGS
WATTAGE	ANNUAL COST	SOURCE WATTAGE	TOTAL WATTAGE USED	ANNUAL COST	
13	\$6	50	72	\$52	\$46
13	\$6	70	90	\$59	\$53

**MOUNTING DETAIL**



Atlas Lighting Products, Inc.

**lighting facts**<sup>®</sup>  
A Program of the U.S. DOE

<b>Light Output (Lumens)</b>	<b>1765</b>
<b>Watts</b>	<b>14.2</b>
<b>Lumens per Watt (Efficacy)</b>	<b>124.3</b>
<hr/>	
<b>Color Accuracy</b> Color Rendering Index (CRI)	<b>82</b>
<hr/>	
<b>Light Color</b> Correlated Color Temperature (CCT)	<b>4448 (Bright White)</b>
2700K	3000K
4500K	6500K

All results are according to IESNA LM-79-2008: *Approved Method for the Electrical and Photometric Testing of Solid-State Lighting*. The U.S. Department of Energy (DOE) verifies product test data and results.

**Visit [www.lightingfacts.com](http://www.lightingfacts.com) for the *Label Reference Guide*.**

Registration Number: PRB4-X5IZT2 (2/22/2016)  
Model Number: PFSXW13LED  
Type: Luminaire - Area/Roadway