



# Power Flood Pro

**PFS22LED** 22 Watt LED Power Flood



## SPECIFICATIONS:

**Lumens:** 2049  
**Watts:** 22.15  
**Lumens/Watt:** 92.5  
**CRI:** 72.8  
**CCT:** 4300  
**Lifespan:** 200,000+ hrs.<sup>1</sup>

### Construction:

Designed for commercial and industrial applications, providing cooler operating temperatures, brighter light and longer LED life. Apertures for field or factory installed photocontrol. Heavy duty knuckle with 90° adjustment.

### Optics:

Atlas Power Flood Pro fixtures utilize individual lenses for maximum light intensity. These lenses are made of optical grade acrylic. This guarantees more footcandles, less glare and less wasted light.

### Thermal Management:

Atlas Power Flood Pro fixtures are designed as a complete system to optimize LED life and light output. The Patent Pending thermal stacking heat removal technology extracts heat from within the housing moving it away from LEDs and components. The lower temperatures result in long LED life (200,000+ hrs) and component life and also allows for higher light output.

### Listings:

Luminaire is certified to cUL and CSA Standards for Wet Locations  
Lighting Facts Certified  
DesignLights Consortium qualified luminaire, eligible for rebates from DLC member utilities.

### AC Input:

120/208/240/277 V

### Driver:

Constant current, Class 2, 120-277 VAC, 50-60 Hz  
High Efficiency – min. 84%  
Off-State Power: 0 Watts  
0-10 V Dimming

### LEDs:

4500K CCT  
Epoxy Guard™ protective conformal coated boards

Atlas LEDs provide higher lumen output, greater energy efficiency and more reliable fixture performance. They are tested and binned at 700mA which is the actual operating current used in Atlas LED luminaires, giving a better representation of actual performance.

### Reduced Glare:

Positioning of the LED modules within the housing result in light directed to desired locations and reduces offensive light.

### Testing:

Atlas LED luminaires have been tested by an independent laboratory in accordance with IESNA LM-79 & LM-80.

### Warranty:

Five-year limited warranty

### Photo Control:

For factory installed 120V button photo control add suffix PC to part number.

## Project Information

Job Name

Fixture Type 22 Watt LED Power Flood

Catalog Number PFS22LED

Approved by

**Alpha Series LED**  
PROFESSIONAL GRADE

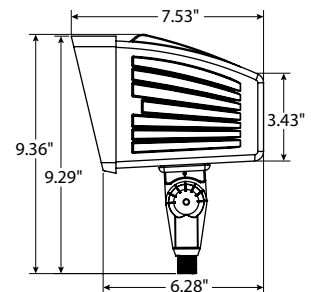
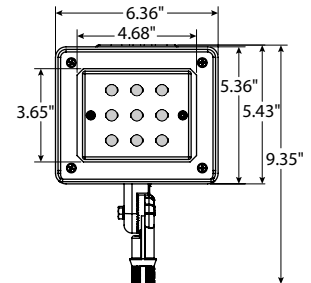


**PFS22LED Design is Protected  
by US Patent D710,530**

## DIMENSIONS:

**Weight:** 7 lbs.

**EPA:** 0.33



<sup>1</sup>LED Life Span Based Upon LM-80 Test Results

**Rebates and Incentives are available in many areas.  
Contact an Atlas Representative for more information.**

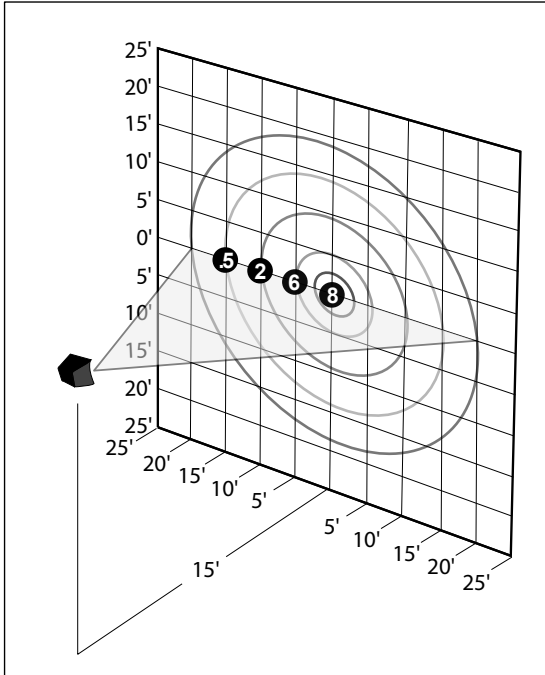
**ATLAS LIGHTING PRODUCTS, INC.**

PO BOX 2348 | BURLINGTON, NC 27216

800-849-8485 | FAX: 336-227-0110 | www.atlasled.com

Made in the USA of US and imported parts. Meets Buy American requirements within the ARRA.

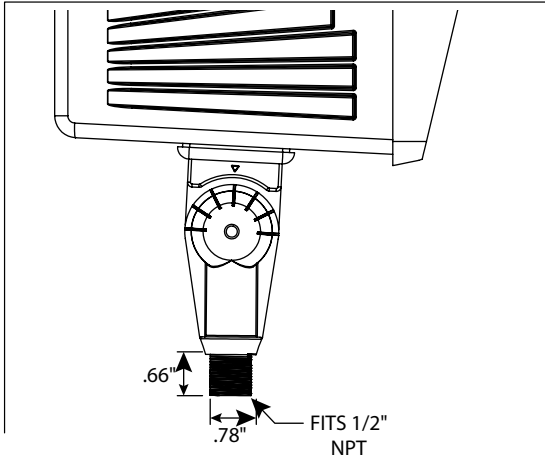
**PHOTOMETRIC**



**ENERGY SAVINGS**

| LED     |             | HID            |                    |             | ANNUAL SAVINGS |
|---------|-------------|----------------|--------------------|-------------|----------------|
| WATTAGE | ANNUAL COST | SOURCE WATTAGE | TOTAL WATTAGE USED | ANNUAL COST |                |
| 22      | \$10        | 50             | 72                 | \$52        | \$42           |
| 22      | \$10        | 70             | 90                 | \$59        | \$49           |
| 22      | \$10        | 100            | 129                | \$77        | \$67           |

**MOUNTING DETAIL**



Atlas Lighting Products

**lighting facts**<sup>®</sup>  
A Program of the U.S. DOE

|  |                            |          |
|--|----------------------------|----------|
| <b>Light Output (Lumens)</b>                             | <b>2049</b>                |          |
| <b>Watts</b>   | <b>22.15</b>               |          |
| <b>Lumens per Watt (Efficacy)</b>                        | <b>92.5</b>                |          |
| <hr/>  |                            |          |
| <b>Color Accuracy</b><br>Color Rendering Index (CRI)     | <b>72</b>                  |          |
| <hr/>  |                            |          |
| <b>Light Color</b><br>Correlated Color Temperature (CCT) | <b>4300 (Bright White)</b> |          |
| ↓  |                            |          |
| Warm White   | Bright White               | Daylight |
| 2700K  | 3000K                      | 4500K    |
| 6500K  |                            |          |

All results are according to IESNA LM-79-2008: *Approved Method for the Electrical and Photometric Testing of Solid-State Lighting*. The U.S. Department of Energy (DOE) verifies product test data and results.

**Visit [www.lightingfacts.com](http://www.lightingfacts.com) for the *Label Reference Guide*.**

Registration Number: PRB4-H2N1N2 (8/7/2015)  
Model Number: PFS22LED Upgrade : 8/7/2015  
Type: Luminaire - Directional