



# Power Flood Pro

**PFL84LED** 84 Watt LED Power Flood



## SPECIFICATIONS:

**Lumens:** 8016  
**Watts:** 81.45  
**Lumens/Watt:** 98.4  
**CRI:** 72.9  
**CCT:** 4339  
**Lifespan:** 200,000+ hrs.<sup>1</sup>

### Construction:

Designed for commercial and industrial applications, providing cooler operating temperatures, brighter light and longer LED life. Apertures for field or factory installed photocontrol. Available with heavy duty trunion or slipfitter.

### Optics:

Atlas Power Flood Pro fixtures utilize individual lenses for maximum light intensity. These lenses are made of optical grade acrylic. This guarantees more footcandles, less glare and less wasted light.

### Thermal Management:

Atlas Power Flood Pro fixtures are designed as a complete system to optimize LED life and light output. The Patent Pending thermal stacking heat removal technology extracts heat from within the housing moving it away from LEDs and components. The lower temperatures result in long LED life (200,000+ hrs) and component life and also allows for higher light output.

### Listings:

Luminaire is certified to cUL and CSA Standards for Wet Locations  
Lighting Facts Certified  
DesignLights Consortium qualified luminaire, eligible for rebates from DLC member utilities.

### AC Input:

120/208/240/277 V

### Driver:

Constant current, Class 2, 120-277 VAC, 50-60 Hz  
High Efficiency – min. 88%  
Off-State Power: 0 Watts  
0-10 V Dimming

### LEDs:

4500K CCT  
Epoxy Guard™ protective conformal coated boards

Atlas LEDs provide higher lumen output, greater energy efficiency and more reliable fixture performance. They are tested and binned at 700mA which is the actual operating current used in Atlas LED luminaires, giving a better representation of actual performance.

### Reduced Glare:

Positioning of the LED modules within the housing result in light directed to desired locations and reduces offensive light.

### Testing:

Atlas LED luminaires have been tested by an independent laboratory in accordance with IESNA LM-79 & LM-80, and have received the Department of Energy "Lighting Facts" label.

### Warranty:

Five-year limited warranty

### Options:

Photo Control - For factory installed 120V button photo control add suffix PC to part number.  
480 Volt - For 480V add suffix 4 to part number.

<sup>1</sup>LED Life Span Based Upon LM-80 Test Results

## Project Information

Job Name

Fixture Type 84 Watt LED Power Flood

Catalog Number PFL84LED

Approved by

**Alpha Series LED**  
PROFESSIONAL GRADE



**PFL84LED Design is Protected by US Patent D740,997**

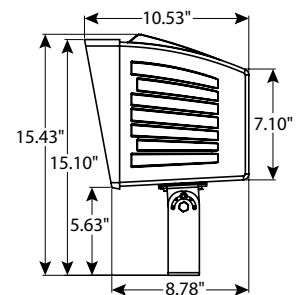
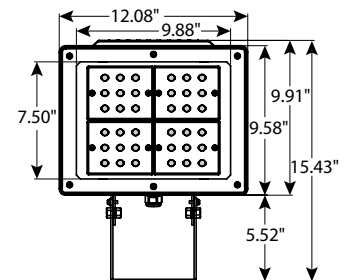


Optional Factory Installed Slipfitter PFL84LEDS

## DIMENSIONS:

**Weight:** (with Trunion) 20 lbs.  
(with Slipfitter) 21 lbs.

**EPA:** 1.00



**Rebates and Incentives are available in many areas. Contact an Atlas Representative for more information.**

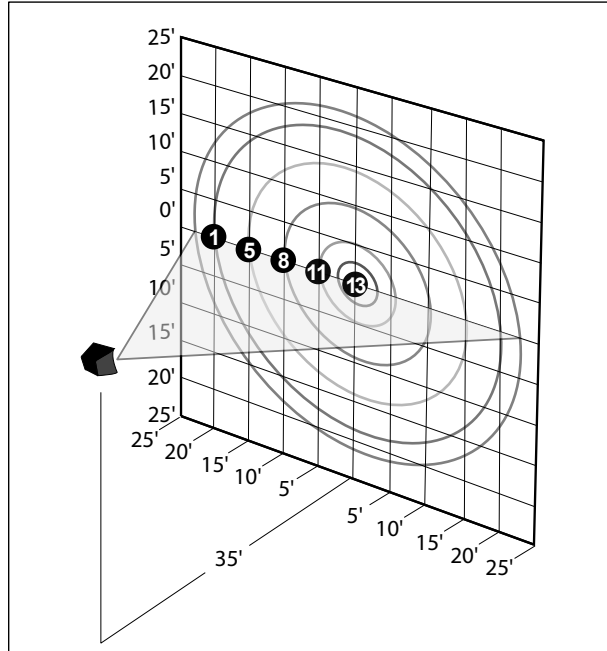
**ATLAS LIGHTING PRODUCTS, INC.**

PO BOX 2348 | BURLINGTON, NC 27216

800-849-8485 | FAX: 336-227-0110 | www.atlasled.com

Made in the USA of US and imported parts. Meets Buy American requirements within the ARRA.

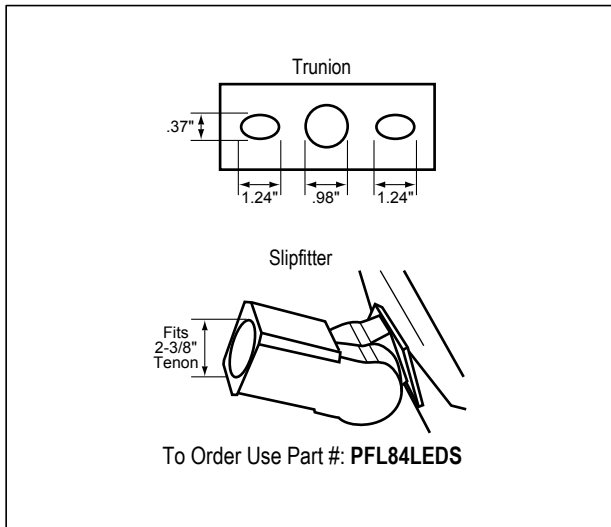
**PHOTOMETRIC**



**ENERGY SAVINGS**

LED		HID			ANNUAL SAVINGS
WATTAGE	ANNUAL COST	SOURCE WATTAGE	TOTAL WATTAGE USED	ANNUAL COST	
84	\$37	200	232	\$128	\$91
84	\$37	250	285	\$150	\$113
84	\$37	400	458	\$226	\$189

**MOUNTING DETAIL**



Atlas Lighting Products

# lighting facts®

A Program of the U.S. DOE

<b>Light Output (Lumens)</b>	<b>8016</b>
<b>Watts</b>	<b>81.45</b>
<b>Lumens per Watt (Efficacy)</b>	<b>98.4</b>
<hr/>	
<b>Color Accuracy</b>	<b>72</b>
Color Rendering Index (CRI)	
<hr/>	
<b>Light Color</b>	<b>4339 (Bright White)</b>
Correlated Color Temperature (CCT)	
2700K	3000K
4500K	6500K
Warm White	Bright White
Daylight	
All results are according to IESNA LM-79-2008: <i>Approved Method for the Electrical and Photometric Testing of Solid-State Lighting</i> . The U.S. Department of Energy (DOE) verifies product test data and results.	
<a href="http://www.lightingfacts.com">Visit www.lightingfacts.com</a> for the <b>Label Reference Guide</b> .	
Registration Number: PRB4-OZ4VH6 (8/7/2015)	
Model Number: PFL84LED Upgrade :8/7/2015	
Type: Luminaire - Directional	