



Optic Flood Light

Project Information

Job Name

Fixture Type 84 Watt LED Optic Flood Light

Catalog Number PFL84LED

Approved by

PFL84LED 84 Watt LED Optic Flood Light



SPECIFICATIONS:

	PFL84LED3K	PFL84LED4K	PFL84LED	PFL84LED5K
Lumens:	7929	7929	7929	8901
Watts:	78.98	78.98	78.98	79.40
Lumens/Watt:	100.39	100.39	100.39	112.1
CRI:	70	70	70	70
CCT:	3000	4000	4500	5000
DLC Prod. ID:	PUINNXAA	PRLWXBCN	P0000053W	PGL0S1G1

Construction:

Designed for commercial and industrial applications, providing cooler operating temperatures, brighter light and longer LED life. Apertures for field or factory installed photocontrol. Available with heavy duty trunion or slipfitter.

Optics:

Atlas optic flood lights utilize individual lenses for maximum light intensity. These lenses are made of optical grade acrylic. This guarantees more footcandles, less glare and less wasted light.

Thermal Management:

Atlas optic flood lights are designed as a complete system to optimize LED life and light output. The Patent Pending thermal stacking heat removal technology extracts heat from within the housing moving it away from LEDs and components. The lower temperatures result in long LED life (200,000+ hrs) and component life and also allows for higher light output.

Listings:

Luminaire is certified to UL/cUL Standards for Wet Locations DesignLights Consortium qualified luminaire, eligible for rebates from DLC member utilities.

AC Input:

120/208/240/277 V

Driver:

Constant current, Class 2, 120-277 VAC, 50-60 Hz
High Efficiency – min. 88%
Off-State Power: 0 Watts
0-10 V Dimming

LEDs:

3000K, 4000K, 4500K, 5000K CCT
Epoxy Guard™ protective conformal coated boards
Atlas LEDs provide higher lumen output, greater energy efficiency and more reliable fixture performance. They are tested and binned at 700mA which is the actual operating current used in Atlas LED luminaires, giving a better representation of actual performance.

Reduced Glare:

Positioning of the LED modules within the housing result in light directed to desired locations and reduces offensive light.

Testing:

Atlas LED luminaires have been tested by an independent laboratory in accordance with IESNA LM-79 & LM-80.

Warranty: Five-year limited warranty

Options:

Photo Control - For factory installed 120V button photo control add suffix PC to part number.
480 Volt - For 480V add suffix 4 to part number.

Alpha Series LED PROFESSIONAL GRADE

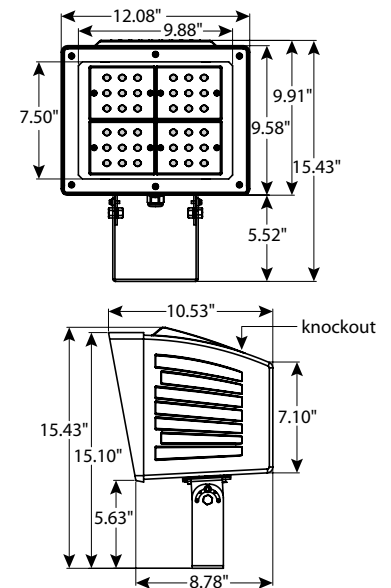


Optional Factory Installed Slipfitter
PFL84LEDS

DIMENSIONS:

Weight: (with Trunion) 20 lbs.
(with Slipfitter) 21 lbs.

EPA: 1.00



¹LED Life Span Based Upon LM-80 Test Results

**Rebates and Incentives are available in many areas.
Contact an Atlas Representative for more information.**

ATLAS LIGHTING PRODUCTS, INC.

PO BOX 2348 | BURLINGTON, NC 27216
800-849-8485 | FAX: 1-855-847-2794 | www.atlasled.com

*The majority of Atlas Lighting Products are assembled in USA facilities by an American Workforce utilizing both Domestic and Foreign components. Meets Buy American requirements within the ARRA.

ORDERING FORMAT

PFL
PRODUCT SERIES
PFL = Large Optic Flood Light

84LED
WATTAGE
84LED = 84 System Watts

COLOR TEMP.
Blank = 4500K
3K = 3000K
4K = 4000K
5K = 5000K

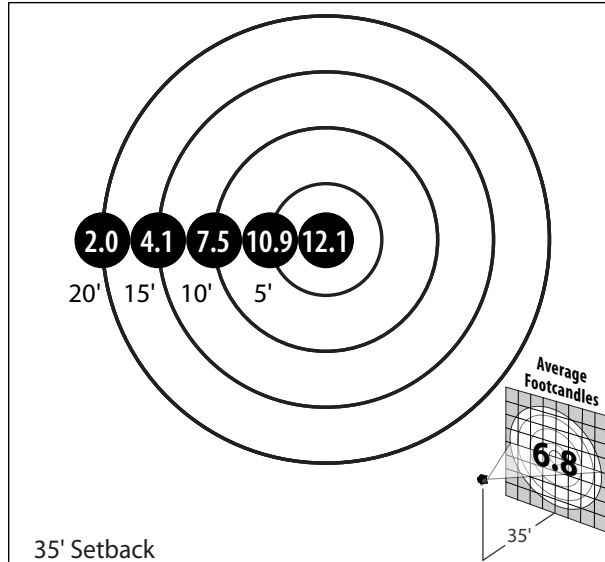
VOLTAGE
Blank = 120-277
4 = 480V

CONTROLS
Blank = Dimming (0-10V)
PC = 120V Photocontrol
PM = 208-277V Photocontrol

MOUNTING
Blank = Trunnion
S = Slipfitter

COLOR
Blank = Bronze
WT = White
BK = Black

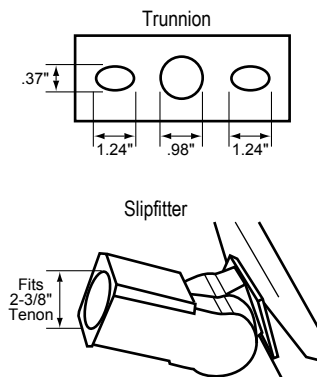
PHOTOMETRIC



ENERGY SAVINGS

LED		HID			ANNUAL SAVINGS
WATTAGE	ANNUAL COST	SOURCE WATTAGE	TOTAL WATTAGE USED	ANNUAL COST	
84	\$37	200	232	\$128	\$91
84	\$37	250	285	\$150	\$113
84	\$37	400	458	\$226	\$189

MOUNTING DETAIL



To Order Use Part #: **PFL84LEDS**