



**EO<sup>®</sup> Ermeto Original**  
***DIN fittings***

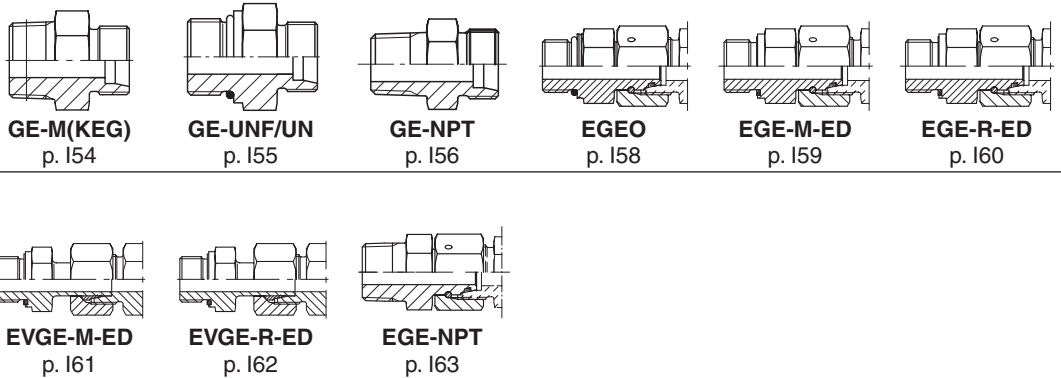


Visual index

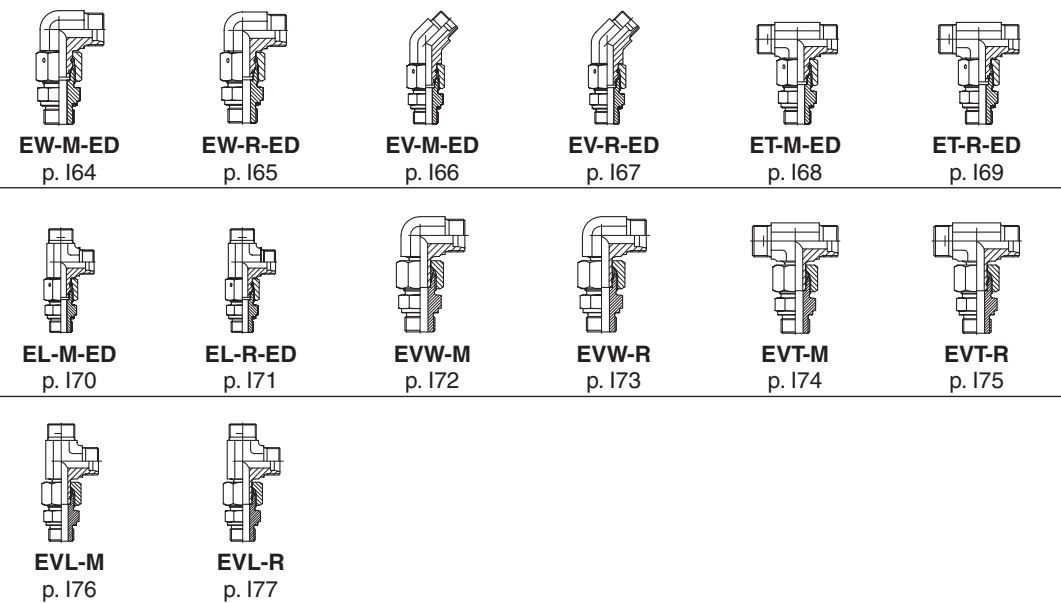
<p>Fitting components</p>	<p><b>FM</b> p. 18</p> <p><b>FORM</b> p. 110</p> <p><b>M</b> p. 112</p> <p><b>D</b> p. 113</p> <p><b>PSR</b> p. 113</p> <p><b>DPR</b> p. 114</p> <p><b>S</b> p. 115</p>
<p>Tube to tube</p>	<p><b>G</b> p. 116</p> <p><b>GR</b> p. 117</p> <p><b>W</b> p. 118</p> <p><b>T</b> p. 119</p> <p><b>TR</b> p. 120</p> <p><b>K</b> p. 122</p> <p><b>SV</b> p. 123</p> <p><b>WSV</b> p. 124</p>
<p>Tube to swivel</p>	<p><b>EW</b> p. 125</p> <p><b>EV</b> p. 126</p> <p><b>ET</b> p. 127</p> <p><b>EL</b> p. 128</p> <p><b>EVW</b> p. 129</p> <p><b>EVT</b> p. 130</p> <p><b>EVL</b> p. 131</p> <p><b>DA</b> p. 132</p> <p><b>RED</b> p. 133</p> <p><b>KOR (Steel/Brass)</b> p. 137</p> <p><b>KOR (Stainless steel)</b> p. 141</p>
<p>Swivel to swivel</p>	<p><b>GZ</b> p. 143</p> <p><b>GZR</b> S.44</p>
<p>Mail stud connector</p>	<p><b>GEO</b> p. 146</p> <p><b>GE-M-ED</b> p. 147</p> <p><b>GE-R-ED</b> p. 148</p> <p><b>GE-R</b> p. 150</p> <p><b>GE-R(KEG)</b> p. 152</p> <p><b>GE-M</b> p. 153</p>

## Visual index

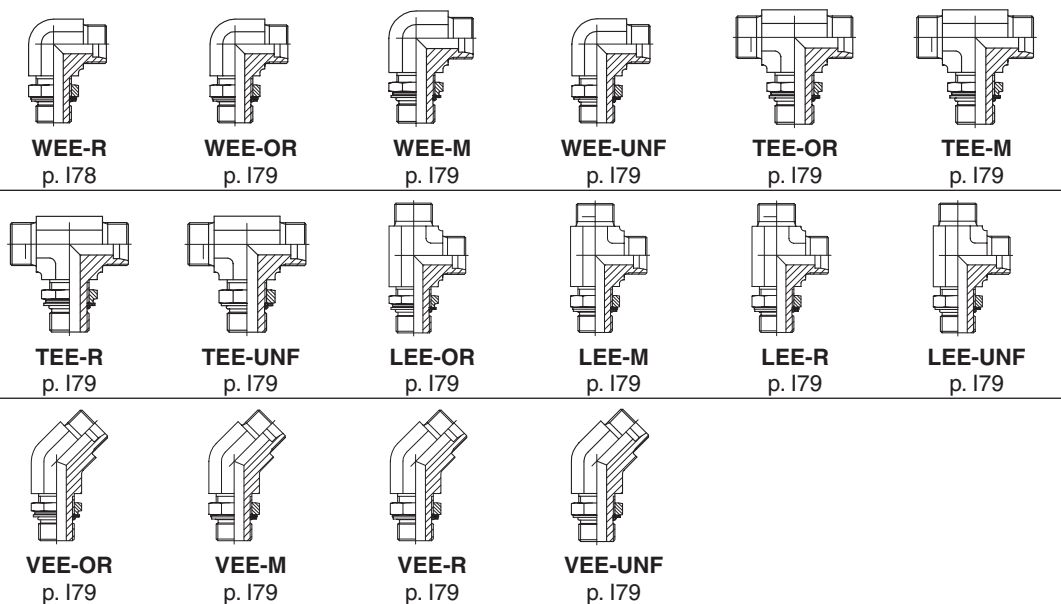
Mail stud connector



Swivel adjustable

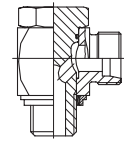


Locknut adjustable

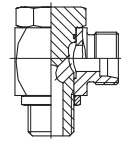


Visual index

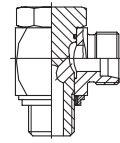
Banjo fittings



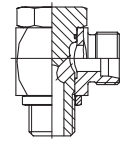
**WH-M-KDS**  
p. 180



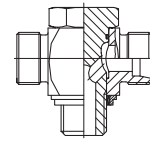
**WH-M**  
p. 181



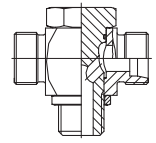
**WH-R-KDS**  
p. 182



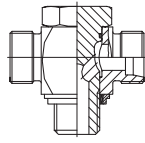
**WH-R**  
p. 183



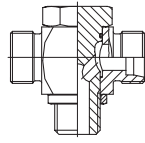
**TH-M-KDS**  
p. 184



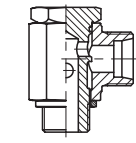
**TH-M**  
p. 185



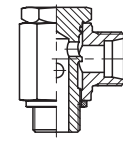
**TH-R-KDS**  
p. 186



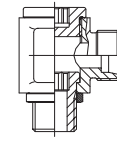
**TH-R**  
p. 187



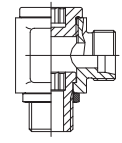
**SWVE-M/KDS**  
p. 188



**SWVE-R/KDS**  
p. 189

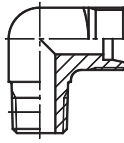


**DSVW-M**  
p. 190

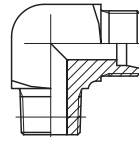


**DSVW-R**  
p. 191

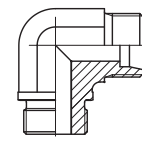
Non adjustable



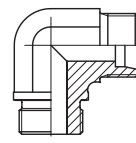
**WE-NPT**  
p. 192



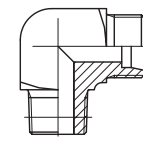
**WE-M(KEG)**  
p. 193



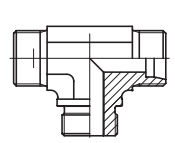
**WE-M**  
p. 194



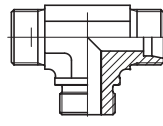
**WE-R**  
p. 195



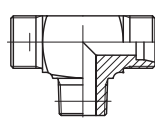
**WE-R(KEG)**  
p. 196



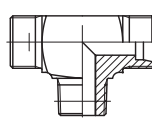
**TE-M**  
p. 197



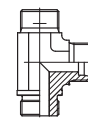
**TE-R**  
p. 198



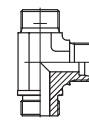
**TE-R(KEG)**  
p. 199



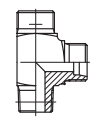
**TE-M(KEG)**  
p. 1100



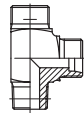
**LE-M**  
p. 1101



**LE-R**  
p. 1102

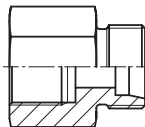


**LE-R(KEG)**  
p. 1103

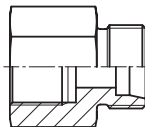


**LE-M(KEG)**  
p. 1104

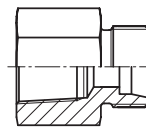
Tube to female



**GAI-M**  
p. 1105

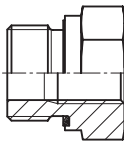


**GAI-R**  
p. 1106

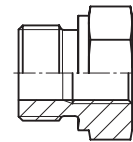


**GAI-NPT**  
p. 1107

Port reducers

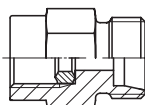


**RI-ED**  
p. 1108

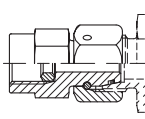


**RI**  
p. 1109

Pressure gauge adapter

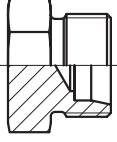
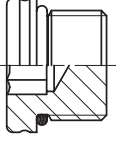
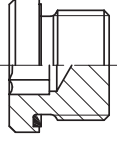
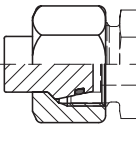
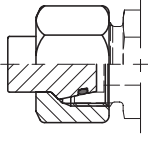
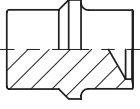
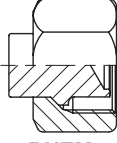

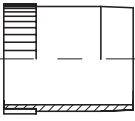
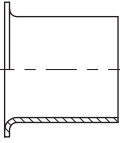


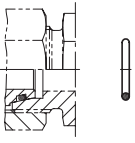


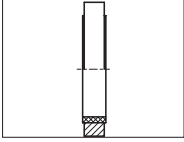




**MAV**  
p. 1110



**MAVE**  
p. 1111

Visual index

Plugs						
	<b>ROV</b> p. 1112	<b>VSTI M-OR</b> p. 1113	<b>VSTI M/R-ED</b> p. 1114	<b>VKA</b> p. 1115	<b>VKAM</b> p. 1116	<b>BUZ</b> p. 1117
						
	<b>BUZM</b> p. 1118					
Components						
	<b>GM</b> p. 1119	<b>VH</b> p. 1120	<b>E</b> p. 1121	<b>DOZ</b> p. 1122	<b>ED</b> p. 1123	<b>OR</b> p. 124
						
	<b>DK1</b> p. 1126	<b>KDS</b> p. 1127	<b>KD</b> p. 1128	<b>DKAZ</b> p. 1129	<b>DKA</b> p. 1130	

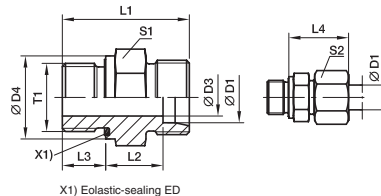
# How to order



DIN fittings

## GE-R-ED Male stud connector

Male BSPB thread – ED-seal (ISO 1179) / EO 24° cone end



## The right way to order made easy!

### Step 1 Selecting order code

- 1.1 All fitting sizes available in our fitting program are clearly listed in the index at the front of this catalogue.
- 1.2 Open the catalogue at the corresponding page containing detailed information of the product of your choice.
- 1.3 Select the required fitting size! The basic order code is printed in bold type on the right-hand side of the table of dimensions.

Example: **GE16SREDOMD**

### Step 2 Selecting material, surface and sealing-material

Now simply add the corresponding code for the surface and material variant of the product you require to the basic order code. This code is contained in the table printed at the bottom of every page.

#### 2.1 Alternative sealing material

Example: Cr(VI)-free steel fitting with ED-seal in FKM material.  
**GE16SRED+OMD+VIT+CF**  
 = **GE16SREDVITOMDCF**

Example: Stainless steel fitting with ED-seal in NBR material (e. g. Perbunan).  
**GE16SREDOMD+NBR+71**  
 = **GE16SREDNBROMD71**

### Step 3 When ordering fittings complete with nuts and rings

- 3.1. Metal sealed cutting rings PSR/DPR/D: For these types please delete the 'OMD' or 'X' suffixes.  
 Example: **GE16SREDCF**
- 3.2. Soft sealed EO-2 functional nut: For these types please delete the 'OMD' or 'X' suffixes and add a 'Z' before the series suffix (LL, L, S)  
 Example: **order with EO-2 functional nut**  
**GE16(+Z)SREDCF**  
 = **GE16ZSREDCF**

Perbunan = registered trademark of Bayer

Series	D1	T1	D3	D4	L1	L2	L3	L4	S1	S2	Weight g/1 piece	Order code*	PN (bar) <sup>1)</sup>		
													CF	71	MS
S <sup>4)</sup>	06	G1/4A	4	19	32.0	13.0	12	28	19	17	35	<b>GE06SREDOMD</b>	800	630	400
	06	G1/8A	4	14	27.5	12.5	8	27	14	17	21	<b>GE06SR1/8EDOMD</b>	315	315	
	06	G3/8A	4	22	34.5	15.5	12	30	22	17	52	<b>GE06SR3/8EDOMD</b>	630	630	
	06	G1/2A	4	27	39.0	18.0	14	33	27	17	83	<b>GE06SR1/2EDOMD</b>	630	630	
	08	G1/4A	5	19	34.0	15.0	12	30	19	19	41	<b>GE08SREDOMD</b>	800	630	400
	08	G3/8A	5	22	34.5	15.5	12	30	22	19	57	<b>GE08SR3/8EDOMD</b>	800	630	
	08	G1/2A	5	27	39.0	18.0	14	33	27	19	89	<b>GE08SR1/2EDOMD</b>	630	400	
	10	G3/8A	7	22	34.5	15.0	12	31	22	22	55	<b>GE10SREDOMD</b>	800	630	400
	10	G1/4A	5	19	34.0	14.5	12	31	19	22	42	<b>GE10SR1/4EDOMD</b>	800	630	
	10	G1/2A	7	27	39.0	17.5	14	34	27	22	97	<b>GE10SR1/2EDOMD</b>	630	630	
	12	G3/8A	8	22	36.5	17.0	12	33	22	24	62	<b>GE12SREDOMD</b>	630	630	400
	12	G1/4A	5	19	36.0	16.5	12	33	22	24	61	<b>GE12SREDOMD</b>	630	630	
	12	G1/2A	8	27	39.0	17.5	14	34	27	24	99	<b>GE12SREDOMD</b>	630	630	
	14	G1/2A	10	27	41.0	19.0	14	37	27	27	96	<b>GE14SREDOMD</b>	630	630	400
	14	G3/8A	8	22	38.5	18.5	12	36	24	27	74	<b>GE14SR3/8EDOMD</b>	630	630	
	14	G3/4A	10	32	45.0	21.0	16	39	32	27	139	<b>GE14SR3/4EDOMD</b>	630	630	
	16	G1/2A	12	27	41.0	18.5	14	37	27	30	81	<b>GE16SREDOMD</b>	400	400	250
	16	G3/8A	8	22	38.5	18.0	12	36	27	30	81	<b>GE16SR3/8EDOMD</b>	400	400	
	16	G3/4A	12	32	45.0	20.5	16	39	32	30	153	<b>GE16SR3/4EDOMD</b>	400	400	
	20	G3/4A	16	32	47.0	20.5	16	42	32	36	149	<b>GE16SR3/4EDOMD</b>	400	400	250
20	G1/2A	12	27	45.0	20.5	14	42	32	36	142	<b>GE20SREDOMD</b>	420	400		
20	G1A	16	40	51.0	22.5	18	44	41	36	265	<b>GE20SREDOMD</b>	420	400		
20	G1/4A	16	50	53.0	22.5	20	44	50	36	404	<b>GE20SR1/4EDOMD</b>	400	400		
25	G1A	20	40	53.0	23.0	18	47	41	46	266	<b>GE25SREDOMD</b>	420	400	250	
25	G1/2A	12	27	49.0	23.0	14	47	41	46	228	<b>GE25SR1/2EDOMD</b>	420	400		
25	G3/4A	16	32	51.0	23.0	16	47	41	46	255	<b>GE25SR3/4EDOMD</b>	420	400		
25	G1/4A	20	50	55.0	23.0	20	47	50	46	411	<b>GE25SR1/4EDOMD</b>	400	400		
25	G1/2A	20	55	60.0	26.0	22	50	55	46	549	<b>GE25SR1/2EDOMD</b>	315	315		
30	G1/4A	25	50	57.0	23.5	20	50	50	50	418	<b>GE30SREDOMD</b>	420	400	250	
30	G1A	20	40	55.0	23.5	18	50	46	50	344	<b>GE30SR1EDOMD</b>	420	400		
30	G1/2A	25	55	62.0	26.5	22	53	55	50	530	<b>GE30SR1/2EDOMD</b>	315	315		
38	G1/2A	32	55	64.0	26.0	22	57	55	60	563	<b>GE38SREDOMD</b>	420	315	200	
38	G1/4A	25	50	62.0	26.0	20	57	55	60	575	<b>GE38SR1/4EDOMD</b>	420	315		

<sup>1)</sup> Pressure shown = item deliverable

<sup>4)</sup> S = heavy series

PN (bar) = PN (MPa) / 10

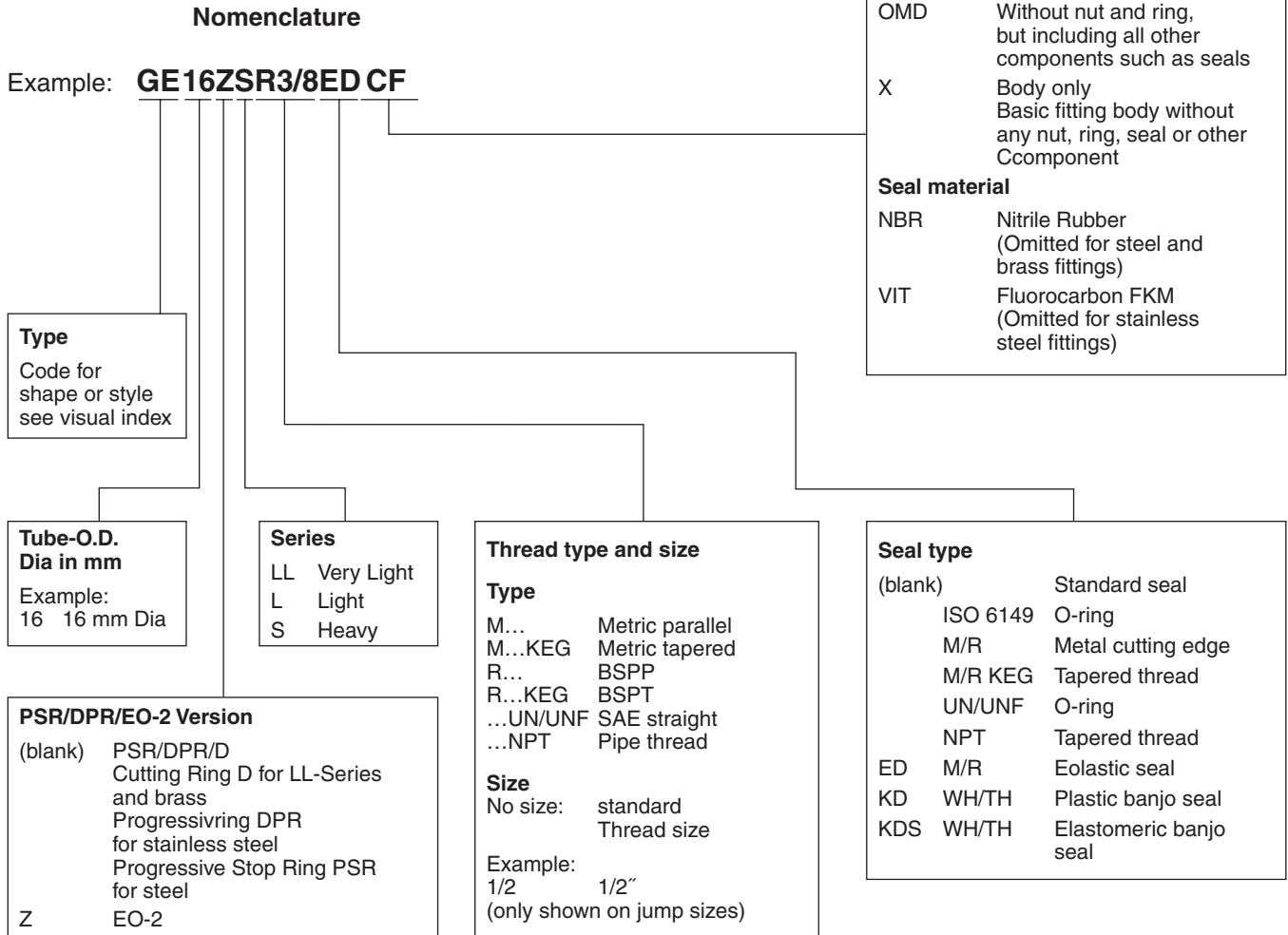
Delivery without nut and ring. Information on ordering complete fittings or alternative sealing materials see page 17.

\*Please add the suffixes below according to the material/surface required

Material	Standard sealing material (no additional suffix needed)
Steel, zinc plated, Cr(VI)-free	<b>GE16SREDOMDCF</b>
Stainless Steel	<b>GE16SREDOMD71</b>
Brass	<b>GE16SREDOMDMS</b>



## How to order EO-Fittings:

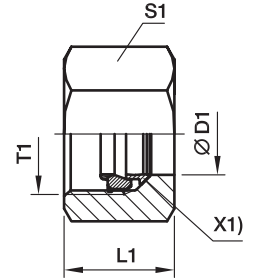


Examples			
Order code	Description	Order code	Description
GE12ZSR1/2EDCF	Straight male stud, EO-2, 20 mm tube O.D., heavy series, G 1/2 BSPP, Eolastic seal, complete with nut and ring, Cr(VI)-free steel fitting, all seals NBR	EVT08LOMDMS	Adjustable standpipe branch tee, 8 mm tube O.D., light series, brass fitting without nut and ring, standpipe preassembled with nut and ring.
GE12LR71X	Straight male stud, 12 mm tube O.D., light series, G 3/8 BSPP, metal seal type B, stainless steel fitting, body only	EL38VITOMDCF	Adjustable swivel nut run tee 38 mm tube O.D., heavy series, zinc-plated steel fitting without nut and ring. Swivel nut end with FKM seal
		DOZ04LL	Spare seal for EO-2 joints, 4 mm O.D., very light series, steel with nitrile rubber seal

Perbunan = registered trademark of Bayer

## FM EO2-Functional nut

for steel tubes



X1) Retaining ring

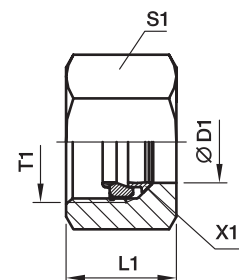
Series	D1 	T1	L1	S1	Order code				Weight g/1 piece
					FM...CF Steel, zinc plated Cr(VI) free passiv. +Sealing Sealing NBR	PN (bar)	FM...VITCF Steel, zinc plated Cr(VI) free passiv. +Sealing Sealing FKM	PN (bar)	
LL	04	M8x1	11.0	10	<b>FM04LLCF</b>	—	—	—	5
	06	M10x1	11.5	12	—	—	—	—	6
L	06	M12x1.5	14.5	14	<b>FM06LCF</b>	500	<b>FM06LVITCF</b>	500	12
	08	M14x1.5	14.5	17	<b>FM08LCF</b>	500	<b>FM08LVITCF</b>	500	17
	10	M16x1.5	15.5	19	<b>FM10LCF</b>	500	<b>FM10LVITCF</b>	500	22
	12	M18x1.5	15.5	22	<b>FM12LCF</b>	400	<b>FM12LVITCF</b>	400	30
	15	M22x1.5	17.0	27	<b>FM15LCF</b>	400	<b>FM15LVITCF</b>	400	48
	18	M26x1.5	18.0	32	<b>FM18LCF</b>	400	<b>FM18LVITCF</b>	400	70
	22	M30x2	20.0	36	<b>FM22LCF</b>	250	<b>FM22LVITCF</b>	250	94
	28	M36x2	21.0	41	<b>FM28LCF</b>	250	<b>FM28LVITCF</b>	250	106
	35	M45x2	24.0	50	<b>FM35LCF</b>	250	<b>FM35LVITCF</b>	250	160
	42	M52x2	24.0	60	<b>FM42LCF</b>	250	<b>FM42LVITCF</b>	250	244
S	06	M14x1.5	16.5	17	<b>FM06SCF</b>	800	<b>FM06SVITCF</b>	800	20
	08	M16x1.5	16.5	19	<b>FM08SCF</b>	800	<b>FM08SVITCF</b>	800	23
	10	M18x1.5	17.5	22	<b>FM10SCF</b>	800	<b>FM10SVITCF</b>	800	37
	12	M20x1.5	17.5	24	<b>FM12SCF</b>	630	<b>FM12SVITCF</b>	630	39
	14	M22x1.5	20.5	27	<b>FM14SCF</b>	630	<b>FM14SVITCF</b>	630	60
	16	M24x1.5	20.5	30	<b>FM16SCF</b>	630	<b>FM16SVITCF</b>	630	72
	20	M30x2	24.0	36	<b>FM20SCF</b>	420	<b>FM20SVITCF</b>	420	121
	25	M36x2	27.0	46	<b>FM25SCF</b>	420	<b>FM25SVITCF</b>	420	221
	30	M42x2	29.0	50	<b>FM30SCF</b>	420	<b>FM30SVITCF</b>	420	248
	38	M52x2	32.5	60	<b>FM38SCF</b>	420	<b>FM38SVITCF</b>	420	367

$$\frac{\text{PN (bar)}}{10} = \text{PN (MPa)}$$



## FM EO2-Functional nut

for stainless steel tubes



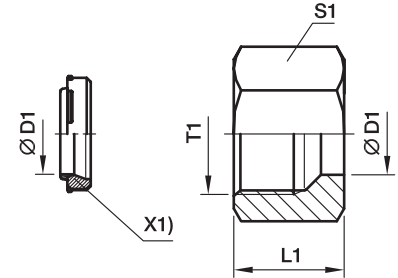
X1) Retaining ring

Series	D1 	T1	L1	S1	Order code								Weight g/1 piece
					FM...71 Stainless Steel		FM...NBR71 Stainless Steel		FM...SSA Steel, zinc plated Cr(VI) free passiv. +Sealing, Retaining ring: Stainless Steel		FM...VITSSA Steel, zinc plated Cr(VI) free passiv. +Sealing, Retaining ring: Stainless Steel		
					Sealing FKM	PN (bar)	Sealing NBR	PN (bar)	Sealing NBR	PN (bar)	Sealing FKM	PN (bar)	
LL	04	M8×1	11.0	10	—	—	—	—	<b>FM04LLASSA</b>	100	—	—	5
	06	M10×1	11.5	12	—	—	—	—	<b>FM06LLSSA</b>	100	—	—	6
L	06	M12×1.5	14.5	14	<b>FM06L71</b>	315	<b>FM06LNBR71</b>	315	<b>FM06LSSA</b>	315	<b>FM06LVITSSA</b>	315	12
	08	M14×1.5	14.5	17	<b>FM08L71</b>	315	<b>FM08LNBR71</b>	315	<b>FM08LSSA</b>	315	<b>FM08LVITSSA</b>	315	17
	10	M16×1.5	15.5	19	<b>FM10L71</b>	315	<b>FM10LNBR71</b>	315	<b>FM10LSSA</b>	315	<b>FM10LVITSSA</b>	315	22
	12	M18×1.5	15.5	22	<b>FM12L71</b>	315	<b>FM12LNBR71</b>	315	<b>FM12LSSA</b>	315	<b>FM12LVITSSA</b>	315	30
	15	M22×1.5	17.0	27	<b>FM15L71</b>	315	<b>FM15LNBR71</b>	315	<b>FM15LSSA</b>	315	<b>FM15LVITSSA</b>	315	48
	18	M26×1.5	18.0	32	<b>FM18L71</b>	315	<b>FM18LNBR71</b>	315	<b>FM18LSSA</b>	315	<b>FM18LVITSSA</b>	315	70
	22	M30×2	20.0	36	<b>FM22L71</b>	160	<b>FM22LNBR71</b>	160	<b>FM22LSSA</b>	160	<b>FM22LVITSSA</b>	160	94
	28	M36×2	21.0	41	<b>FM28L71</b>	160	<b>FM28LNBR71</b>	160	<b>FM28LSSA</b>	160	<b>FM28LVITSSA</b>	160	106
	35	M45×2	24.0	50	<b>FM35L71</b>	160	<b>FM35LNBR71</b>	160	<b>FM35LSSA</b>	160	<b>FM35LVITSSA</b>	160	160
	42	M52×2	24.0	60	<b>FM42L71</b>	160	<b>FM42LNBR71</b>	160	<b>FM42LSSA</b>	160	<b>FM42LVITSSA</b>	160	244
S	06	M14×1.5	16.5	17	<b>FM06S71</b>	630	<b>FM06SNBR71</b>	630	<b>FM06SSSA</b>	630	<b>FM06SVITSSA</b>	630	20
	08	M16×1.5	16.5	19	<b>FM08S71</b>	630	<b>FM08SNBR71</b>	630	<b>FM08SSSA</b>	630	<b>FM08SVITSSA</b>	630	23
	10	M18×1.5	17.5	22	<b>FM10S71</b>	630	<b>FM10SNBR71</b>	630	<b>FM10SSSA</b>	630	<b>FM10SVITSSA</b>	630	37
	12	M20×1.5	17.5	24	<b>FM12S71</b>	630	<b>FM12SNBR71</b>	630	<b>FM12SSSA</b>	630	<b>FM12SVITSSA</b>	630	39
	14	M22×1.5	20.5	27	<b>FM14S71</b>	630	<b>FM14SNBR71</b>	630	<b>FM14SSSA</b>	630	<b>FM14SVITSSA</b>	630	60
	16	M24×1.5	20.5	30	<b>FM16S71</b>	400	<b>FM16SNBR71</b>	400	<b>FM16SSSA</b>	400	<b>FM16SVITSSA</b>	400	72
	20	M30×2	24.0	36	<b>FM20S71</b>	400	<b>FM20SNBR71</b>	400	<b>FM20SSSA</b>	400	<b>FM20SVITSSA</b>	400	121
	25	M36×2	27.0	46	<b>FM25S71</b>	400	<b>FM25SNBR71</b>	400	<b>FM25SSSA</b>	400	<b>FM25SVITSSA</b>	400	221
	30	M42×2	29.0	50	<b>FM30S71</b>	400	<b>FM30SNBR71</b>	400	<b>FM30SSSA</b>	400	<b>FM30SVITSSA</b>	400	248
	38	M52×2	32.5	60	<b>FM38S71</b>	315	<b>FM38SNBR71</b>	315	<b>FM38SSSA</b>	315	<b>FM38SVITSSA</b>	315	367

$$\frac{\text{PN (bar)}}{10} = \text{PN (MPa)}$$

## EO2-FORM Set

for steel tubes

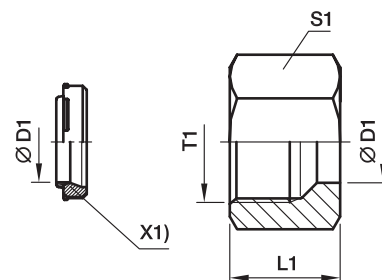


X1) Sealing (DOZ)

Series	D1 	T1	L1	S1	Order code		Weight g/1 piece
					FORM...CF Steel, zinc plated Cr(VI) free +Seal  NBR	FORM...VITCF Steel, zinc plated Cr(VI) free +Seal  FKM	
L	06	M12×1.5	14.5	14	<b>FORM06LCF</b>	<b>FORM06LVITCF</b>	11
	08	M14×1.5	14.5	17	<b>FORM08LCF</b>	<b>FORM08LVITCF</b>	16
	10	M16×1.5	15.5	19	<b>FORM10LCF</b>	<b>FORM10LVITCF</b>	20
	12	M18×1.5	15.5	22	<b>FORM12LCF</b>	<b>FORM12LVITCF</b>	27
	15	M22×1.5	17.0	27	<b>FORM15LCF</b>	<b>FORM15LVITCF</b>	45
	18	M26×1.5	18.0	32	<b>FORM18LCF</b>	<b>FORM18LVITCF</b>	67
	22	M30×2	20.0	36	<b>FORM22LCF</b>	<b>FORM22LVITCF</b>	88
	28	M36×2	21.0	41	<b>FORM28LCF</b>	<b>FORM28LVITCF</b>	99
	35	M45×2	24.0	50	<b>FORM35LCF</b>	<b>FORM35LVITCF</b>	162
	42	M52×2	24.0	60	<b>FORM42LCF</b>	<b>FORM42LVITCF</b>	233
S	06	M14×1.5	16.5	17	<b>FORM06SCF</b>	<b>FORM06SVITCF</b>	19
	08	M16×1.5	16.5	19	<b>FORM08SCF</b>	<b>FORM08SVITCF</b>	22
	10	M18×1.5	17.5	22	<b>FORM10SCF</b>	<b>FORM10SVITCF</b>	34
	12	M20×1.5	17.5	24	<b>FORM12SCF</b>	<b>FORM12SVITCF</b>	38
	14	M22×1.5	20.5	27	<b>FORM14SCF</b>	<b>FORM14SVITCF</b>	57
	16	M24×1.5	20.5	30	<b>FORM16SCF</b>	<b>FORM16SVITCF</b>	71
	20	M30×2	24.0	36	<b>FORM20SCF</b>	<b>FORM20SVITCF</b>	115
	25	M36×2	27.0	46	<b>FORM25SCF</b>	<b>FORM25SVITCF</b>	216
	30	M42×2	29.0	50	<b>FORM30SCF</b>	<b>FORM30SVITCF</b>	242
	38	M52×2	32.5	60	<b>FORM38SCF</b>	<b>FORM38SVITCF</b>	366

**EO2-FORM Set**

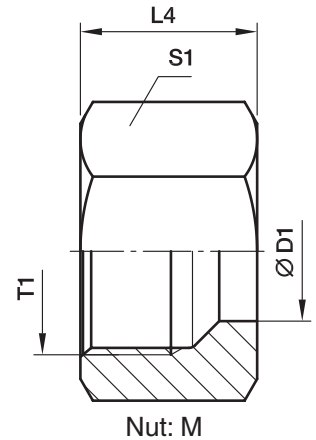
for stainless steel tubes



X1) Sealing (DOZ)

Series	D1	T1	L1	S1	Order code				Weight g/1 piece
					FORM...71 Stainless Steel  Sealing FKM	FORM...NBR71 Stainless Steel  Sealing NBR	FORM...CF Steel, zinc plated Cr(VI) free +Seal  NBR	FORM...VITCF Steel, zinc Cr(VI) free +Seal  FKM	
L	06	M12×1.5	14.5	14	FORM06L71	FORM06LNBR71	FORM06LCF	FORM06LVITCF	11
	08	M14×1.5	14.5	17	FORM08L71	FORM08LNBR71	FORM08LCF	FORM08LVITCF	16
	10	M16×1.5	15.5	19	FORM10L71	FORM10LNBR71	FORM10LCF	FORM10LVITCF	21
	12	M18×1.5	15.5	22	FORM12L71	FORM12LNBR71	FORM12LCF	FORM12LVITCF	27
	15	M22×1.5	17.0	27	FORM15L71	FORM15LNBR71	FORM15LCF	FORM15LVITCF	46
	18	M26×1.5	18.0	32	FORM18L71	FORM18LNBR71	FORM18LCF	FORM18LVITCF	68
	22	M30×2	20.0	36	FORM22L71	FORM22LNBR71	FORM22LCF	FORM22LVITCF	89
	28	M36×2	21.0	41	FORM28L71	FORM28LNBR71	FORM28LCF	FORM28LVITCF	101
	35	M45×2	24.0	50	FORM35L71	FORM35LNBR71	FORM35LCF	FORM35LVITCF	165
	42	M52×2	24.0	60	FORM42L71	FORM42LNBR71	FORM42LCF	FORM42LVITCF	237
S	06	M14×1.5	16.5	17	FORM06S71	FORM06SNBR71	FORM06SCF	FORM06SVITCF	19
	08	M16×1.5	16.5	19	FORM08S71	FORM08SNBR71	FORM08SCF	FORM08SVITCF	22
	10	M18×1.5	17.5	22	FORM10S71	FORM10SNBR71	FORM10SCF	FORM10SVITCF	35
	12	M20×1.5	17.5	24	FORM12S71	FORM12SNBR71	FORM12SCF	FORM12SVITCF	39
	14	M22×1.5	20.5	27	FORM14S71	FORM14SNBR71	FORM14SCF	FORM14SVITCF	58
	16	M24×1.5	20.5	30	FORM16S71	FORM16SNBR71	FORM16SCF	FORM16SVITCF	71
	20	M30×2	24.0	36	FORM20S71	FORM20SNBR71	FORM20SCF	FORM20SVITCF	117
	25	M36×2	27.0	46	FORM25S71	FORM25SNBR71	FORM25SCF	FORM25SVITCF	219
	30	M42×2	29.0	50	FORM30S71	FORM30SNBR71	FORM30SCF	FORM30SVITCF	246
	38	M52×2	32.5	60	FORM38S71	FORM38SNBR71	FORM38SCF	FORM38SVITCF	372

M Nut · EO 24° Cone end



Series	D1 	T1	L4	S1	Weight g/1 piece	Order code*	PN (bar) <sup>1)</sup>		
							CF	71	MS
LL <sup>2)</sup>	04	M8×1	11.0	10	4	<b>M04LL</b>	100	100	63
	06	M10×1	11.5	12	6	<b>M06LL</b>	100	100	63
	08	M12×1	12.0	14	7	<b>M08LL</b>	100	100	63
	10	M14×1	12.5	17	11	<b>M10LL</b>	100	100	63
	12	M16×1	13.0	19	13	<b>M12LL</b>	100	100	63
L <sup>3)</sup>	06	M12×1.5	14.5	14	10	<b>M06L</b>	500	315	200
	08	M14×1.5	14.5	17	15	<b>M08L</b>	500	315	200
	10	M16×1.5	15.5	19	18	<b>M10L</b>	500	315	200
	12	M18×1.5	15.5	22	25	<b>M12L</b>	400	315	200
	15	M22×1.5	17.0	27	42	<b>M15L</b>	400	315	200
	18	M26×1.5	18.0	32	62	<b>M18L</b>	400	315	200
	22	M30×2	20.0	36	82	<b>M22L</b>	250	160	100
	28	M36×2	21.0	41	89	<b>M28L</b>	250	160	100
	35	M45×2	24.0	50	137	<b>M35L</b>	250	160	100
	42	M52×2	24.0	60	216	<b>M42L</b>	250	160	100
S <sup>4)</sup>	06	M14×1.5	16.5	17	17	<b>M06S</b>	800	630	400
	08	M16×1.5	16.5	19	20	<b>M08S</b>	800	630	400
	10	M18×1.5	17.5	22	31	<b>M10S</b>	800	630	400
	12	M20×1.5	17.5	24	34	<b>M12S</b>	630	630	400
	14	M22×1.5	20.5	27	53	<b>M14S</b>	630	630	400
	16	M24×1.5	20.5	30	66	<b>M16S</b>	630	400	250
	20	M30×2	24.0	36	102	<b>M20S</b>	420	400	250
	25	M36×2	27.0	46	202	<b>M25S</b>	420	400	250
	30	M42×2	29.0	50	219	<b>M30S</b>	420	400	250
	38	M52×2	32.5	60	339	<b>M38S</b>	420	315	200

1) Pressure shown = item deliverable

2) LL = very light series; 3) L = light series; 4) S = heavy series

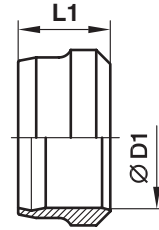
$$\frac{PN \text{ (bar)}}{10} = PN \text{ (MPa)}$$

\*Please add the **suffixes** below according to the material/surface required.

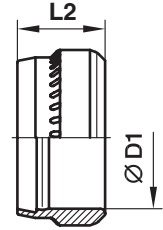
Order code suffixes		
Material	Suffix surface and material	Example
Steel, zinc plated, Cr(VI)-free	CF	M16SCFX
Stainless Steel	EODUR	M16SEODURX
Brass	MS	M16SMSX

## D Cutting ring · PSR Progressive stop ring

for EO 24° cone end



Cutting ring:  
D



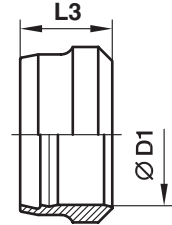
Progressive stop ring:  
PSR

Series	D1	Cutting ring D Order code						Progressive stop ring PSR Order code					Weight g/1 pc.
		L1	Steel, zinc plated Cr(VI) free	PN (bar)	Stainless Steel	PN (bar)	Brass	PN (bar)	L2	Steel, zinc plated Cr(VI) free	PN (bar)		
LL	04	6.0	<b>D04LLX</b>	100	<b>D04LL71X</b>	100	<b>D04LLMSX</b>	63	—	—	—	0.3	
	06	7.0	<b>D06LLX</b>	100	<b>D06LL71X</b>	100	<b>D06LLMSX</b>	63	—	—	—	0.8	
	08	7.0	<b>D08LLX</b>	100	<b>D08LL71X</b>	100	<b>D08LLMSX</b>	63	—	—	—	1.0	
	10	7.0	<b>D10LLX</b>	100	<b>D10LL71X</b>	100	<b>D10LLMSX</b>	63	—	—	—	1.3	
	12	7.5	<b>D12LLX</b>	100	<b>D12LL71X</b>	100	<b>D12LLMSX</b>	63	—	—	—	1.6	
	L	06	9.5	—	—	—	—	<b>D06LMSX</b>	200	9.5	<b>PSR06LX</b>	500	1.7
08		9.0	—	—	—	—	<b>D08LMSX</b>	200	9.5	<b>PSR08LX</b>	500	2.2	
10		10.0	—	—	—	—	<b>D10LMSX</b>	200	10.0	<b>PSR10LX</b>	500	3.1	
12		10.0	—	—	—	—	<b>D12LMSX</b>	200	10.0	<b>PSR12LX</b>	400	3.5	
15		10.0	—	—	—	—	<b>D15LMSX</b>	200	10.0	<b>PSR15LX</b>	400	4.5	
18		10.0	—	—	—	—	<b>D18LMSX</b>	200	10.0	<b>PSR18LX</b>	400	5.5	
22		10.5	—	—	—	—	<b>D22LMSX</b>	100	10.5	<b>PSR22LX</b>	250	7.3	
28		10.5	—	—	—	—	<b>D28LMSX</b>	100	10.5	<b>PSR28LX</b>	250	9.4	
35		13.0	—	—	—	—	<b>D35LMSX</b>	100	13.0	<b>PSR35LX</b>	250	20.0	
42		13.5	—	—	—	—	<b>D42LMSX</b>	100	13.0	<b>PSR42LX</b>	250	23.0	
S	06	9.5	—	—	—	—	<b>D06LMSX</b>	400	9.5	<b>PSR06LX</b>	800	1.7	
	08	9.0	—	—	—	—	<b>D08LMSX</b>	400	9.5	<b>PSR08LX</b>	800	3.2	
	10	10.0	—	—	—	—	<b>D10LMSX</b>	400	10.0	<b>PSR10LX</b>	800	3.1	
	12	10.0	—	—	—	—	<b>D12LMSX</b>	400	10.0	<b>PSR12LX</b>	630	3.5	
	14	10.0	—	—	—	—	<b>D14SMSX</b>	400	10.0	<b>PSR14SX</b>	630	3.9	
	16	10.5	—	—	—	—	<b>D16SMSX</b>	250	10.0	<b>PSR16SX</b>	630	5.6	
	20	12.5	—	—	—	—	<b>D20SMSX</b>	250	13.0	<b>PSR20SX</b>	420	11.4	
	25	12.5	—	—	—	—	<b>D25SMSX</b>	250	13.0	<b>PSR25SX</b>	420	13.3	
	30	13.0	—	—	—	—	<b>D30SMSX</b>	250	13.0	<b>PSR30SX</b>	420	19.3	
	38	13.5	—	—	—	—	<b>D38SMSX</b>	200	13.0	<b>PSR38SX</b>	420	22.5	

$$\frac{\text{PN (bar)}}{10} = \text{PN (MPa)}$$

## DPR Progressive ring

for EO 24° cone end



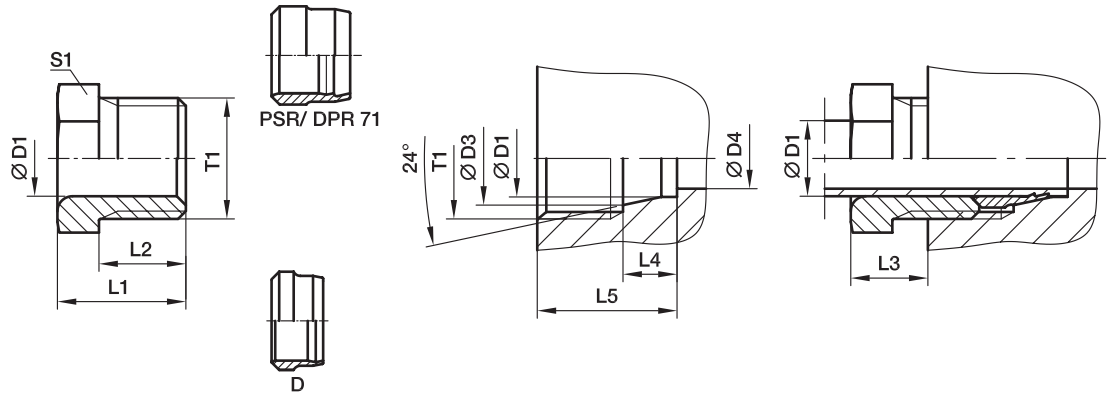
Progressive ring: DPR

Series	D1 	L3	Progressive ring DPR Order code		PN (bar)	Weight g/1 piece
			Stainless Steel	Stainless Steel SPH		
L	06	9.0	DPR06L71X	DPR06LSPH71X	315	1.7
	08	9.0	DPR08L71X	DPR08LSPH71X	315	2.2
	10	9.5	DPR10L71X	DPR10LSPH71X	315	3.1
	12	9.8	DPR12L71X	DPR12LSPH71X	315	3.5
	15	9.5	DPR15L71X	DPR15LSPH71X	315	4.5
	18	9.5	DPR18L71X	DPR18LSPH71X	315	5.5
	22	10.5	DPR22L71X	DPR22LSPH71X	160	7.3
	28	11.0	DPR28L71X	DPR28LSPH71X	160	9.4
	35	13.5	DPR35L71X	DPR35LSPH71X	160	20.0
	42	13.5	DPR42L71X	DPR42LSPH71X	160	23.0
S	06	9.0	DPR06L71X	DPR06LSPH71X	630	1.7
	08	9.0	DPR08L71X	DPR08LSPH71X	630	3.2
	10	9.5	DPR10L71X	DPR10LSPH71X	630	3.1
	12	9.8	DPR12L71X	DPR12LSPH71X	630	3.5
	14	9.5	DPR14S71X	DPR14SSPH71X	630	3.9
	16	9.5	DPR16S71X	DPR16SSPH71X	400	5.6
	20	12.5	DPR20S71X	DPR20SSPH71X	400	11.4
	25	12.5	DPR25S71X	DPR25SSPH71X	400	13.3
	30	12.5	DPR30S71X	DPR30SSPH71X	400	19.3
	38	13.0	DPR38S71X	DPR38SSPH71X	315	22.5

$$\frac{\text{PN (bar)}}{10} = \text{PN (MPa)}$$

## S Sleeve screw

for threaded ports according to DIN 3854



Series	D1 	T1	D3	D4	L1	L2	L3	L4	L5	S1	Weight g/1 piece	Order code*	PN (bar) <sup>1)</sup>	
													CF	71
LL <sup>2)</sup>	04	M8×1	5.0	3.0	12	8.0	6	4.0	12.5	8	3	<b>S04LL</b>	100	100
	06	M10×1	7.5	4.5	13	9.0	7	5.5	14.5	10	4	<b>S06LL</b>	100	100
	08	M12×1	9.5	6.0	14	9.5	7	5.5	14.5	12	6	<b>S08LL</b>	100	100
L <sup>3)</sup>	06	M12×1.5	8.1	4.0	16	11.5	10	7.0	18.5	12	9	<b>S06L</b>	315	315
	08	M14×1.5	10.1	6.0	16	11.5	10	7.0	18.5	14	11	<b>S08L</b>	315	315
	10	M16×1.5	12.3	8.0	17	11.5	10	7.0	18.5	17	15	<b>S10L</b>	315	315
	12	M18×1.5	14.3	10.0	18	12.0	10	7.0	19.0	19	19	<b>S12L</b>	315	315

<sup>1)</sup> Pressure shown = item deliverable

<sup>2)</sup> LL = very light series; <sup>3)</sup> L = light series

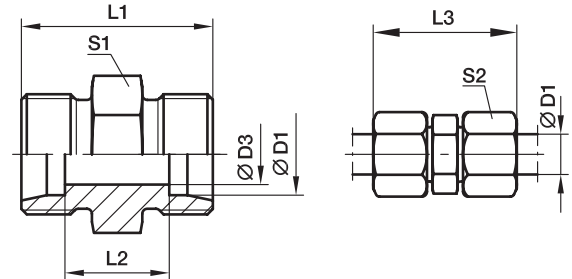
$\frac{\text{PN (bar)}}{10} = \text{PN (MPa)}$

\*Please add the **suffixes** below according to the material/ surface required.

Order code suffixes		
Material	Suffix surface and material	Example
Steel, zinc plated, Cr(VI)-free	CFX	S10LCFX
Stainless Steel	71X	S10L71X

## G Union

EO 24° cone end



Series	D1	D3	L1	L2	L3	S1	S2	Weight g/1 piece	Order code*	PN (bar) <sup>1)</sup>		
										CF	71	MS
LL <sup>2)</sup>	04	3.0	20	12	31	9	10	5	<b>G04LL</b>	100	100	63
	06	4.5	20	9	32	11	12	7	<b>G06LL</b>	100	100	63
	08	6.0	23	12	35	12	14	10	<b>G08LL</b>	100	100	63
	10	8.0	23	12	35	14	17	13	<b>G10LL</b>	100	100	63
	12	10.0	23	11	35	17	19	16	<b>G12LL</b>	100	100	63
L <sup>3)</sup>	06	4.0	24	10	39	12	14	12	<b>G06L</b>	500	315	200
	08	6.0	25	11	40	14	17	16	<b>G08L</b>	500	315	200
	10	8.0	27	13	42	17	19	23	<b>G10L</b>	500	315	200
	12	10.0	28	14	43	19	22	28	<b>G12L</b>	400	315	200
	15	12.0	30	16	46	24	27	51	<b>G15L</b>	400	315	200
	18	15.0	31	16	48	27	32	69	<b>G18L</b>	400	315	200
	22	19.0	35	20	52	32	36	90	<b>G22L</b>	250	160	100
	28	24.0	36	21	54	41	41	137	<b>G28L</b>	250	160	100
	35	30.0	41	20	63	46	50	214	<b>G35L</b>	250	160	100
	42	36.0	43	21	66	55	60	296	<b>G42L</b>	250	160	100
S <sup>4)</sup>	06	4.0	30	16	45	14	17	26	<b>G06S</b>	800	630	400
	08	5.0	32	18	47	17	19	37	<b>G08S</b>	800	630	400
	10	7.0	32	17	49	19	22	44	<b>G10S</b>	800	630	400
	12	8.0	34	19	51	22	24	60	<b>G12S</b>	630	630	400
	14	10.0	38	22	57	24	27	77	<b>G14S</b>	630	630	400
	16	12.0	38	21	57	27	30	90	<b>G16S</b>	630	400	250
	20	16.0	44	23	66	32	36	143	<b>G20S</b>	420	400	250
	25	20.0	50	26	74	41	46	251	<b>G25S</b>	420	400	250
	30	25.0	54	27	80	46	50	330	<b>G30S</b>	420	400	250
	38	32.0	61	29	90	55	60	545	<b>G38S</b>	420	315	200

<sup>1)</sup> Pressure shown = item deliverable

<sup>2)</sup> LL = very light series; <sup>3)</sup> L = light series; <sup>4)</sup> S = heavy series

$$\frac{\text{PN (bar)}}{10} = \text{PN (MPa)}$$

Delivery without nut and ring. Information on ordering complete fittings see page 17.

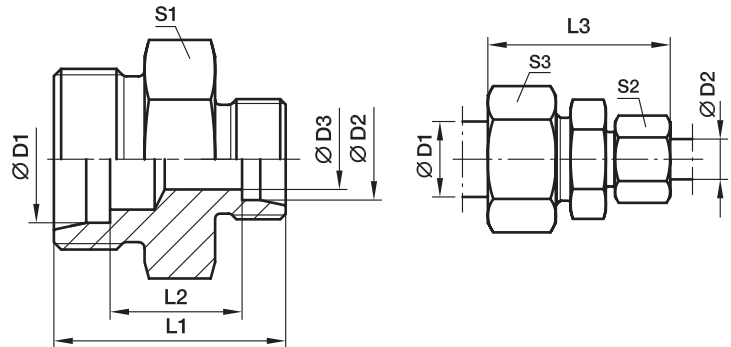
\*Please add the **suffixes** below according to the material/surface required.

Order code suffixes		
Material	Suffix surface and material	Example
Steel, zinc plated, Cr(VI)-free	CF	G16SCFX
Stainless Steel	71	G16S71X
Brass	MS	G16SMSX



## GR Straight reducer

EO 24° cone end



Series	D1	D2	D3	L1	L2	L3	S1	S2	S3	Weight g/1 piece	Order code*	PN (bar) <sup>1)</sup>			
												CF	71	MS	
LL <sup>2)</sup>	06	04	3.0	20	10.5	32	11	10	12	7	<b>GR06/04LL</b>	100	100	63	
	08	04	3.0	22	12.5	34	12	10	14	9	<b>GR08/04LL</b>	100	100	63	
	08	06	4.5	22	11.0	34	12	12	14	11	<b>GR08/06LL</b>	100	100	63	
L <sup>3)</sup>	08	06	4.0	25	11.0	40	14	14	17	16	<b>GR08/06L</b>	500	315	200	
	10	06	4.0	26	12.0	41	17	14	19	21	<b>GR10/06L</b>	500	315	200	
	10	08	6.0	26	12.0	41	17	17	19	21	<b>GR10/08L</b>	500	315	200	
	12	06	4.0	27	13.0	42	19	14	22	26	<b>GR12/06L</b>	400	315	200	
	12	08	6.0	27	13.0	42	19	17	22	26	<b>GR12/08L</b>	400	315	200	
	12	10	8.0	28	14.0	43	19	19	22	29	<b>GR12/10L</b>	400	315	200	
	15	10	8.0	29	15.0	45	24	19	27	46	<b>GR15/10L</b>	400	315	200	
	15	12	10.0	29	15.0	45	24	22	27	45	<b>GR15/12L</b>	400	315	200	
	18	10	8.0	30	15.5	46	27	19	32	65	<b>GR18/10L</b>	400	315	200	
	18	12	10.0	30	15.5	46	27	22	32	64	<b>GR18/12L</b>	400	315	200	
	18	15	12.0	31	16.5	48	27	27	32	65	<b>GR18/15L</b>	400	315	200	
	22	12	10.0	32	17.5	48	32	22	36	80	<b>GR22/12L</b>	250	160	100	
	22	15	12.0	33	18.5	50	32	27	36	89	<b>GR22/15L</b>	250	160	100	
	22	18	15.0	33	18.0	50	32	32	36	89	<b>GR22/18L</b>	250	160	100	
	28	18	15.0	34	19.0	52	41	32	41	142	<b>GR28/18L</b>	250	160	100	
	28	22	19.0	36	21.0	54	41	36	41	139	<b>GR28/22L</b>	250	160	100	
	35	22	19.0	39	21.0	59	46	36	50	202	<b>GR35/22L</b>	250	160	100	
	35	28	24.0	39	21.0	59	46	41	50	206	<b>GR35/28L</b>	250	160	100	
	42	35	30.0	43	21.5	66	55	50	60	330	<b>GR42/35L</b>	250	160	100	
	S <sup>4)</sup>	08	06	4.0	32	18.0	47	17	17	19	35	<b>GR08/06S</b>	800	630	400
		10	06	4.0	32	17.5	48	19	17	22	41	<b>GR10/06S</b>	800	630	400
10		08	5.0	32	17.5	48	19	19	22	42	<b>GR10/08S</b>	800	630	400	
12		06	4.0	34	19.5	50	22	17	24	56	<b>GR12/06S</b>	630	630	400	
12		08	5.0	34	19.5	50	22	19	24	57	<b>GR12/08S</b>	630	630	400	
12		10	7.0	34	19.0	51	22	22	24	59	<b>GR12/10S</b>	630	630	400	
14		10	7.0	36	20.5	54	24	22	27	70	<b>GR14/10S</b>	630	630	400	
14		12	8.0	36	20.5	54	24	24	27	72	<b>GR14/12S</b>	630	630	400	
16		10	7.0	36	20.0	54	27	22	30	80	<b>GR16/10S</b>	630	400	250	
16		12	8.0	36	20.0	54	27	24	30	87	<b>GR16/12S</b>	630	400	250	
16		14	10.0	36	21.5	57	27	27	30	79	<b>GR16/14S</b>	630	400	250	
20		10	7.0	40	22.0	60	32	22	36	129	<b>GR20/10S</b>	420	400	250	
20		12	8.0	40	22.0	60	32	24	36	131	<b>GR20/12S</b>	420	400	250	
20		16	12.0	42	23.0	63	32	30	36	134	<b>GR20/16S</b>	420	400	250	
25		16	12.0	46	25.5	68	41	30	46	236	<b>GR25/16S</b>	420	400	250	
25		20	16.0	48	25.5	71	41	36	46	235	<b>GR25/20S</b>	420	400	250	
30		20	16.0	50	26.0	74	46	36	50	299	<b>GR30/20S</b>	420	400	250	
30		25	20.0	52	26.5	77	46	46	50	317	<b>GR30/25S</b>	420	400	250	
38	30	25.0	59	29.5	87	55	50	60	522	<b>GR38/30S</b>	420	315	200		

1) Pressure shown = item deliverable

2) LL = very light series; 3) L = light series; 4) S = heavy series

$$\frac{\text{PN (bar)}}{10} = \text{PN (MPa)}$$

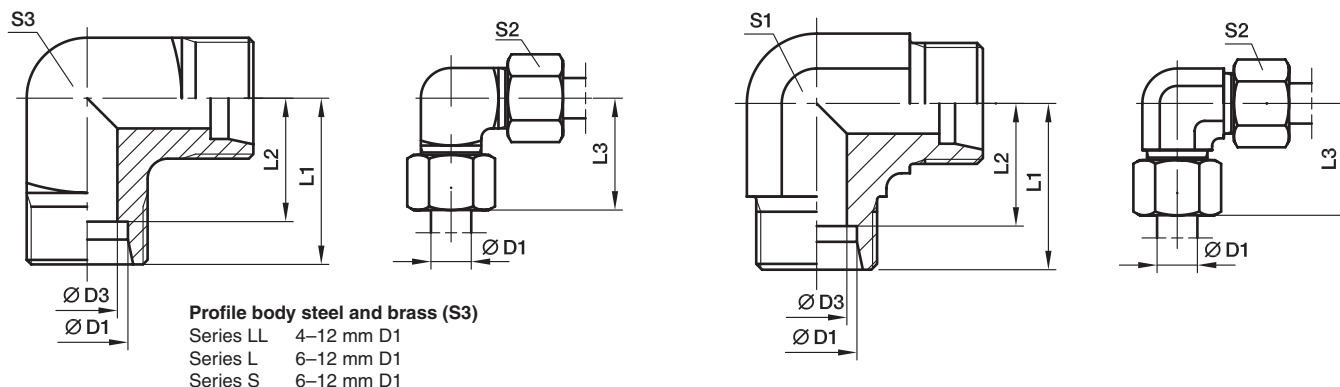
**Delivery without nut and ring. Information on ordering complete fittings see page 17.**

 \*Please add the **suffixes** below according to the material/surface required.

Order code suffixes		
Material	Suffix surface and material	Example
Steel, zinc plated, Cr(VI)-free	CFX	GR16/12SCFX
Stainless Steel	71X	GR16/12S71X
Brass	MSX	GR16/12SMSX

## W Union elbow

EO 24° cone end



Series	D1	D3	L1	L2	L3	S1	S2	S3	Weight g/1 piece	Order code*	PN (bar) <sup>1)</sup>		
											CF	71	MS
LL <sup>2)</sup>	04	3.0	15	11.0	21	9	10	9	13	<b>W04LL</b>	100	100	63
	06	4.5	15	9.5	21	9	12	11	15	<b>W06LL</b>	100	100	63
	08	6.0	17	11.5	23	12	14	12	23	<b>W08LL</b>	100	100	63
	10	8.0	18	12.5	24	12	17	14	32	<b>W10LL</b>	100	100	63
	12	10.0	19	13.0	25	14	19	17	41	<b>W12LL</b>	100	100	63
L <sup>3)</sup>	06	4.0	19	12.0	27	12	14	12	29	<b>W06L</b>	500	315	200
	08	6.0	21	14.0	29	12	17	14	43	<b>W08L</b>	500	315	200
	10	8.0	22	15.0	30	14	19	17	54	<b>W10L</b>	500	315	200
	12	10.0	24	17.0	32	19	22		80	<b>W12L</b>	400	315	200
	15	12.0	28	21.0	36	19	27		81	<b>W15L</b>	400	315	200
	18	15.0	31	23.5	40	24	32		140	<b>W18L</b>	400	315	200
	22	19.0	35	27.5	44	27	36		178	<b>W22L</b>	250	160	100
	28	24.0	38	30.5	47	36	41		340	<b>W28L</b>	250	160	100
	35	30.0	45	34.5	56	41	50		458	<b>W35L</b>	250	160	100
	42	36.0	51	40.0	63	50	60		776	<b>W42L</b>	250	160	100
S <sup>4)</sup>	06	4.0	23	16.0	31	12	17	14	52	<b>W06S</b>	800	630	400
	08	5.0	24	17.0	32	14	19	17	74	<b>W08S</b>	800	630	400
	10	7.0	25	17.5	34	19	22		97	<b>W10S</b>	800	630	400
	12	8.0	29	21.5	38	17	24	22	137	<b>W12S</b>	630	630	400
	14	10.0	30	22.0	40	19	27		145	<b>W14S</b>	630	630	400
	16	12.0	33	24.5	43	24	30		162	<b>W16S</b>	630	400	250
	20	16.0	37	26.5	48	27	36		221	<b>W20S</b>	420	400	250
	25	20.0	42	30.0	54	36	46		424	<b>W25S</b>	420	400	250
	30	25.0	49	35.5	62	41	50		603	<b>W30S</b>	420	400	250
	38	32.0	57	41.0	72	50	60		1010	<b>W38S</b>	420	315	200

<sup>1)</sup> Pressure shown = item deliverable

<sup>2)</sup> LL = very light series; <sup>3)</sup> L = light series; <sup>4)</sup> S = heavy series

$$\frac{\text{PN (bar)}}{10} = \text{PN (MPa)}$$

Delivery without nut and ring. Information on ordering complete fittings see page I7.

\*Please add the **suffixes** below according to the material/surface required.

Order code suffixes		
Material	Suffix surface and material	Example
Steel, zinc plated, Cr(VI)-free	CF	W16SCFX
Stainless Steel	71	W16S71X
Brass	MS	W16SMSX

## T Union tee

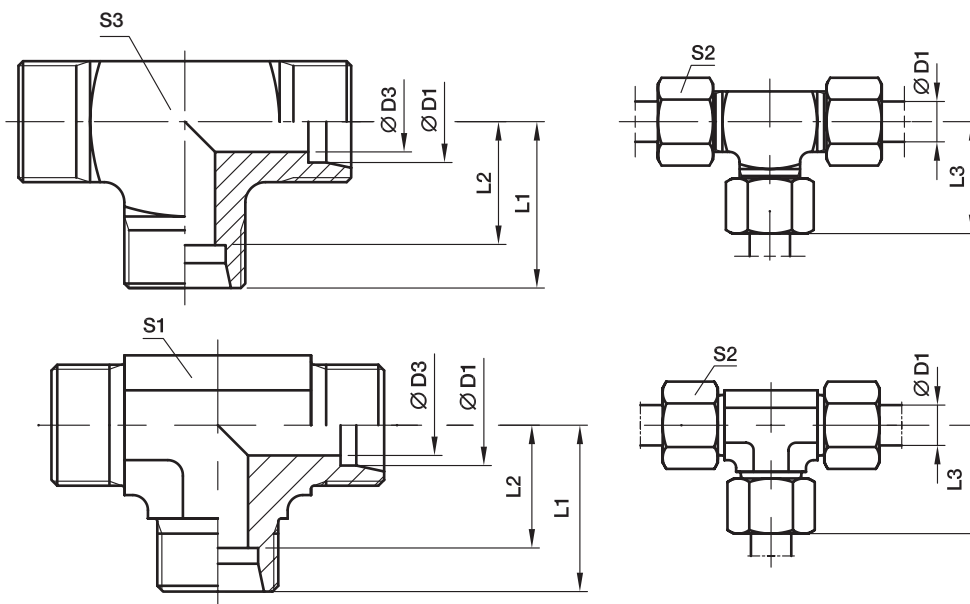
### EO 24° cone end

profile body steel and brass (S3)

Series LL4-10 mm D1

Series L 6+ 8 mm D1

Series S 6 mm D1



Series	D1 	D3	L1	L2	L3	S1	S2	S3	Weight g/1 piece	Order code*	PN (bar) <sup>1)</sup>		
											CF	71	MS
LL <sup>2)</sup>	04	3.0	15	11.0	21	9	10	9	19	<b>T04LL</b>	100	100	63
	06	4.5	15	9.5	21	9	12	11	20	<b>T06LL</b>	100	100	63
	08	6.0	17	11.5	23	12	14	12	27	<b>T08LL</b>	100	100	63
	10	8.0	18	12.5	24	12	17	14	39	<b>T10LL</b>	100	100	63
	12	10.0	21	15.0	27	14	19		45	<b>T12LL</b>	100	100	63
L <sup>3)</sup>	06	4.0	19	12.0	27	12	14	12	37	<b>T06L</b>	500	315	200
	08	6.0	21	14.0	29	12	17	14	53	<b>T08L</b>	500	315	200
	10	8.0	22	15.0	30	14	19		48	<b>T10L</b>	500	315	200
	12	10.0	24	17.0	32	17	22		65	<b>T12L</b>	400	315	200
	15	12.0	28	21.0	36	19	27		106	<b>T15L</b>	400	315	200
	18	15.0	31	23.5	40	24	32		179	<b>T18L</b>	400	315	200
	22	19.0	35	27.5	44	27	36		225	<b>T22L</b>	250	160	100
	28	24.0	38	30.5	47	36	41		396	<b>T28L</b>	250	160	100
	35	30.0	45	34.5	56	41	50		567	<b>T35L</b>	250	160	100
	42	36.0	51	40.0	63	50	60		905	<b>T42L</b>	250	160	100
S <sup>4)</sup>	06	4.0	23	16.0	31	12	17	14	68	<b>T06S</b>	800	630	400
	08	5.0	24	17.0	32	14	19		70	<b>T08S</b>	800	630	400
	10	7.0	25	17.5	34	17	22		91	<b>T10S</b>	800	630	400
	12	8.0	29	21.5	38	17	24		117	<b>T12S</b>	630	630	400
	14	10.0	30	22.0	40	19	27		136	<b>T14S</b>	630	630	400
	16	12.0	33	24.5	43	24	30		202	<b>T16S</b>	630	400	250
	20	16.0	37	26.5	48	27	36		289	<b>T20S</b>	420	400	250
	25	20.0	42	30.0	54	36	46		545	<b>T25S</b>	420	400	250
	30	25.0	49	35.5	62	41	50		758	<b>T30S</b>	420	400	250
	38	32.0	57	41.0	72	50	60		1264	<b>T38S</b>	420	315	200

1) Pressure shown = item deliverable

2) LL = very light series; 3) L = light series; 4) S = heavy series

$\frac{\text{PN (bar)}}{10} = \text{PN (MPa)}$

Delivery without nut and ring. Information on ordering complete fittings see page I7.

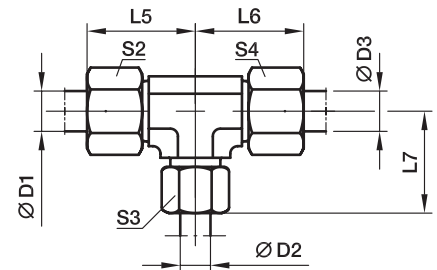
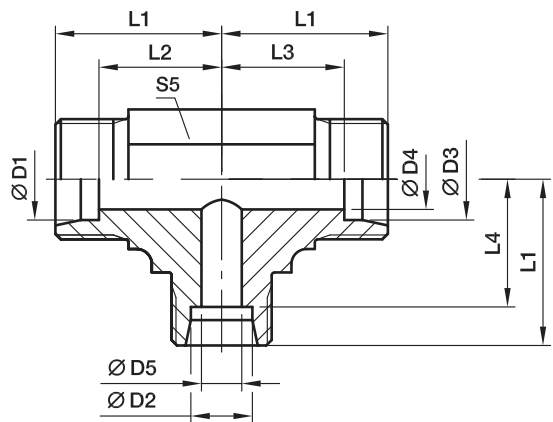
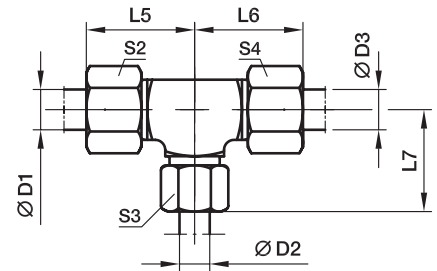
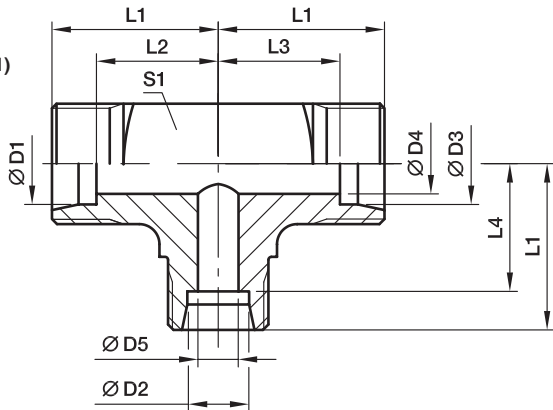
\*Please add the **suffixes** below according to the material/surface required.

Order code suffixes		
Material	Suffix surface and material	Example
Steel, zinc plated, Cr(VI)-free	CF	T16SCFX
Stainless Steel	71	T16S71X
Brass	MS	T16SMSX

## TR Tee Reducer

EO 24° cone end

Profile body steel and brass (S1)  
 Series LL 4-8 mm D1, D2, D3  
 Series L 6+8 mm D1, D2, D3



Series	D1	D2	D3	D4	D5	L1	L2	L3	L4	L5	L6	L7	S1	S2	S3	S4	S5	Weight g/1 piece	Order code*	PN (bar) <sup>1)</sup>		
																				CF	71	MS
LL <sup>2)</sup>	04	08	04	3.0	6	17	13.0	13.0	11.5	23	23	23	12	10	14	10	12	27	TR04/08/04LL	100	100	63
	06	04	06	4.5	3	15	9.5	9.5	11.0	21	21	21	11	12	10	12	9	18	TR06/04/06LL	100	100	63
L <sup>3)</sup>	06	08	06	4.0	6	21	14.0	14.0	14.0	29	29	29	14	14	17	14	12	54	TR06/08/06L	500	315	200
	08	06	08	6.0	4	21	14.0	14.0	14.0	29	29	29	14	17	14	17	12	53	TR08/06/08L	500	315	200
	06	10	06	4.0	8	22	15.0	15.0	15.0	30	30	30		14	19	14	14	53	TR06/10/06L	500	315	200
	08	10	08	6.0	8	22	15.0	15.0	15.0	30	30	30		17	19	17	14	50	TR08/10/08L	500	315	200
	10	06	10	8.0	4	22	15.0	15.0	15.0	30	30	30		19	14	19	14	46	TR10/06/10L	500	315	200
	10	08	10	8.0	6	22	15.0	15.0	15.0	30	30	30		19	17	19	14	43	TR10/08/10L	500	315	200
	10	10	06	4.0	8	22	15.0	15.0	15.0	30	30	30		19	19	14	14	49	TR10/10/06L	500	315	200
	08	12	08	6.0	10	24	17.0	17.0	17.0	32	32	32		17	22	17	17	67	TR08/12/08L	400	315	200
	12	06	12	10.0	4	24	17.0	17.0	17.0	32	32	32		22	14	22	17	66	TR12/06/12L	400	315	200
	12	08	08	6.0	6	24	17.0	17.0	17.0	32	32	32		22	17	17	17	66	TR12/08/08L	400	315	200
	12	08	12	10.0	6	24	17.0	17.0	17.0	32	32	32		22	17	22	17	68	TR12/08/12L	400	315	200
	12	10	10	8.0	8	24	17.0	17.0	17.0	32	32	32		22	19	19	17	67	TR12/10/10L	400	315	200
	12	10	12	10.0	8	24	17.0	17.0	17.0	32	32	32		22	19	22	17	67	TR12/10/12L	400	315	200
	12	12	10	8.0	10	24	17.0	17.0	17.0	32	32	32		22	22	19	17	64	TR12/12/10L	400	315	200
	10	15	10	8.0	12	28	21.0	21.0	21.0	36	36	36		19	27	19	19	105	TR10/15/10L	400	315	200
	12	15	12	10.0	12	28	21.0	21.0	21.0	36	36	36		22	27	22	19	102	TR12/15/12L	400	315	200
	15	06	15	12.0	4	28	21.0	21.0	21.0	36	36	36		27	14	27	19	107	TR15/06/15L	400	315	200
	15	10	15	12.0	8	28	21.0	21.0	21.0	36	36	36		27	19	27	19	105	TR15/10/15L	400	315	200
	15	12	12	10.0	10	28	21.0	21.0	21.0	36	36	36		27	22	22	19	101	TR15/12/12L	400	315	200
	15	12	15	12.0	10	28	21.0	21.0	21.0	36	36	36		27	22	27	19	105	TR15/12/15L	400	315	200
	15	15	12	10.0	12	28	21.0	21.0	21.0	36	36	36		27	27	22	19	103	TR15/15/12L	400	315	200
	12	18	12	10.0	15	31	24.0	24.0	23.5	39	39	40		22	32	22	24	177	TR12/18/12L	400	315	200
	18	10	10	8.0	8	31	23.5	24.0	24.0	40	39	39		32	19	19	24	173	TR18/10/10L	400	315	200
	18	10	18	15.0	8	31	23.5	23.5	24.0	40	40	39		32	19	32	24	182	TR18/10/18L	400	315	200
	18	12	18	15.0	10	31	23.5	23.5	24.0	40	40	39		32	22	32	24	174	TR18/12/18L	400	315	200

## TR Tee Reducer

EO 24° cone end

Series	D1	D2	D3	D4	D5	L1	L2	L3	L4	L5	L6	L7	S1	S2	S3	S4	S5	Weight g/1 piece	Order code*	PN (bar) <sup>1)</sup>		
																				CF	71	MS
L <sup>3)</sup>	18	15	18	15.0	12	31	23.5	23.5	24.0	40	40	39		32	27	32	24	179	TR18/15/18L	400	315	200
	18	18	10	8.0	15	31	23.5	24.0	23.5	40	39	40		32	32	19	24	171	TR18/18/10L	400	315	200
	22	10	22	19.0	8	35	27.5	27.5	28.0	44	44	43		36	19	36	27	232	TR22/10/22L	250	160	100
	22	12	22	19.0	10	35	27.5	27.5	28.0	44	44	43		36	22	36	27	229	TR22/12/22L	250	160	100
	22	15	15	12.0	12	35	27.5	28.0	28.0	44	43	43		36	27	27	27	240	TR22/15/15L	250	160	100
	22	15	22	19.0	12	35	27.5	27.5	28.0	44	44	43		36	27	36	27	233	TR22/15/22L	250	160	100
	22	18	18	15.0	15	35	27.5	27.5	27.5	44	44	44		36	32	32	27	236	TR22/18/18L	250	160	100
	22	18	22	19.0	15	35	27.5	27.5	27.5	44	44	44		36	32	36	27	239	TR22/18/22L	250	160	100
	22	22	18	15.0	19	35	27.5	27.5	27.5	44	44	44		36	36	32	27	228	TR22/22/18L	250	160	100
	28	10	28	24.0	8	38	30.5	30.5	31.0	47	47	46		41	19	41	36	412	TR28/10/28L	250	160	100
	28	12	28	24.0	10	38	30.5	30.5	31.0	47	47	46		41	22	41	36	408	TR28/12/28L	250	160	100
	28	15	28	24.0	12	38	30.5	30.5	31.0	47	47	46		41	27	41	36	423	TR28/15/28L	250	160	100
	28	18	28	24.0	15	38	30.5	30.5	30.5	47	47	47		41	32	41	36	421	TR28/18/28L	250	160	100
	28	22	22	19.0	19	38	30.5	30.5	30.5	47	47	47		41	36	36	36	412	TR28/22/22L	250	160	100
	28	22	28	24.0	19	38	30.5	30.5	30.5	47	47	47		41	36	41	36	415	TR28/22/28L	250	160	100
	S <sup>4)</sup>	10	06	10	7.0	4	25	17.5	17.5	18.0	34	34	33		22	17	22	17	103	TR10/06/10S	800	630
12		08	08	5.0	5	29	21.5	22.0	22.0	38	37	37		24	19	19	17	107	TR12/08/08S	630	630	400
12		08	12	8.0	5	29	21.5	21.5	22.0	38	38	37		24	19	24	17	105	TR12/08/12S	630	630	400
12		10	12	8.0	7	29	21.5	21.5	21.5	38	38	38		24	22	24	17	114	TR12/10/12S	630	630	400
12		16	12	8.0	12	33	25.5	25.5	24.5	42	42	43		24	30	24	24	190	TR12/16/12S	630	400	250
16		06	16	12.0	4	33	24.5	24.5	26.0	43	43	41		30	17	30	24	176	TR16/06/16S	630	400	250
16		08	16	12.0	5	33	24.5	24.5	26.0	43	43	41		30	19	30	24	208	TR16/08/16S	630	400	250
16		10	16	12.0	7	33	24.5	24.5	25.5	43	43	42		30	22	30	24	210	TR16/10/16S	630	400	250
16		12	16	12.0	8	33	24.5	24.5	25.5	43	43	42		30	24	30	24	386	TR16/12/16S	630	400	250
16		20	16	12.0	16	37	28.5	28.5	26.5	47	47	48		30	36	30	27	296	TR16/20/16S	420	400	250
20		10	20	16.0	7	37	26.5	26.5	29.5	48	48	46		36	22	36	27	553	TR20/10/20S	420	400	250
20		12	20	16.0	8	37	26.5	26.5	29.5	48	48	46		36	24	36	27	306	TR20/12/20S	420	400	250
20		16	20	16.0	12	37	26.5	26.5	28.5	48	48	47		36	30	36	27	285	TR20/16/20S	420	400	250
20		25	20	16.0	20	42	31.5	31.5	30.0	53	53	54		36	46	36	36	544	TR20/25/20S	420	400	250
25		16	25	20.0	12	42	30.0	30.0	33.5	54	54	52		46	30	46	36	556	TR25/16/25S	420	400	250
25		20	25	20.0	16	42	30.0	30.0	31.5	54	54	53		46	36	46	36	544	TR25/20/25S	420	400	250
25	30	25	20.0	25	49	37.0	37.0	35.5	61	61	62		46	50	46	41	791	TR25/30/25S	420	400	250	

1) Pressure shown = item deliverable

2) LL = very light series; 3) L = light series; 4) S = heavy series

$$\frac{\text{PN (bar)}}{10} = \text{PN (MPa)}$$

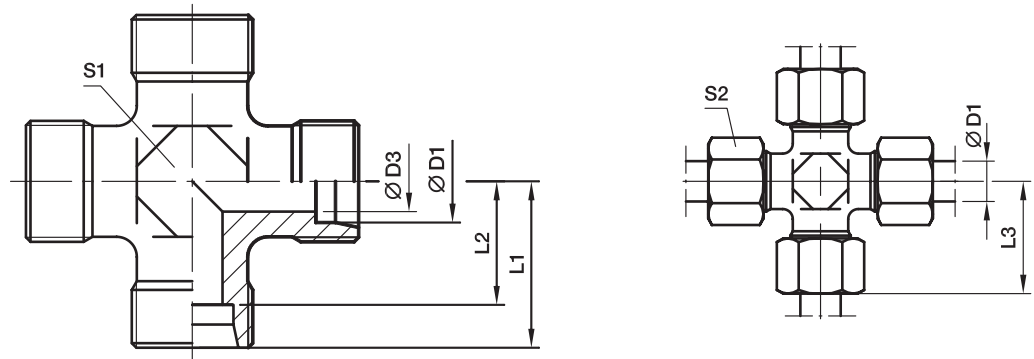
Delivery without nut and ring. Information on ordering complete fittings see page 17.

\*Please add the **suffixes** below according to the material/surface required.

Order code suffixes		
Material	Suffix surface and material	Example
Steel, zinc plated, Cr(VI)-free	CF	TR16/12/16SCFX
Stainless Steel	71	TR16/12/16S71X
Brass	MS	TR16/12/16SMSX

## K Union cross

EO 24° cone end



Series	D1	D3	L1	L2	L3	S1	S2	Weight g/1 piece	Order code*	PN (bar) <sup>1)</sup>		
										CF	71	MS
LL <sup>2)</sup>	04	3.0	15	11.0	21	9	10	13	<b>K04LL</b>	100	100	63
	06	4.5	15	9.5	21	9	12	14	<b>K06LL</b>	100	100	63
	08	6.0	17	11.5	23	12	14	24	<b>K08LL</b>	100	100	63
L <sup>3)</sup>	06	4.0	19	12.0	27	12	14	35	<b>K06L</b>	315	315	200
	08	6.0	21	14.0	29	12	17	40	<b>K08L</b>	315	315	200
	10	8.0	22	15.0	30	14	19	52	<b>K10L</b>	315	315	200
	12	10.0	24	17.0	32	17	22	69	<b>K12L</b>	315	315	200
	15	12.0	28	21.0	36	19	27	130	<b>K15L</b>	315	315	200
	18	15.0	31	23.5	40	24	32	188	<b>K18L</b>	315	315	200
	22	19.0	35	27.5	44	27	36	251	<b>K22L</b>	160	160	100
	28	24.0	38	30.5	47	36	41	392	<b>K28L</b>	160	160	100
	35	30.0	45	34.5	56	41	50	618	<b>K35L</b>	160	160	100
	42	36.0	51	40.0	63	50	60	905	<b>K42L</b>	160	160	100
S <sup>4)</sup>	06	4.0	23	16.0	31	12	17	58	<b>K06S</b>	630	630	400
	08	5.0	24	17.0	32	14	19	82	<b>K08S</b>	630	630	400
	10	7.0	25	17.5	34	17	22	97	<b>K10S</b>	630	630	400
	12	8.0	29	21.5	38	17	24	146	<b>K12S</b>	630	630	400
	14	10.0	30	22.0	40	19	27	176	<b>K14S</b>	400	400	250
	16	12.0	33	24.5	43	24	30	220	<b>K16S</b>	400	400	250
	20	16.0	37	26.5	48	27	36	339	<b>K20S</b>	315	315	200
	25	20.0	42	30.0	54	36	46	576	<b>K25S</b>	315	315	200
	30	25.0	49	35.5	62	41	50	843	<b>K30S</b>	315	315	200
	38	32.0	57	41.0	72	50	60	1350	<b>K38S</b>	315	315	200

<sup>1)</sup> Pressure shown = item deliverable

<sup>2)</sup> LL = very light series; <sup>3)</sup> L = light series; <sup>4)</sup> S = heavy series

$$\frac{PN \text{ (bar)}}{10} = PN \text{ (MPa)}$$

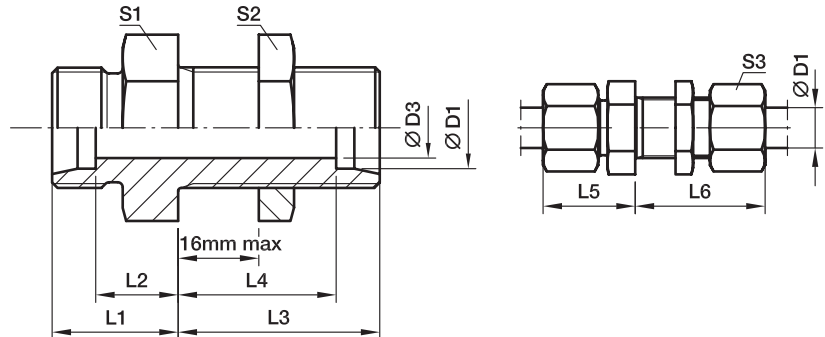
Delivery without nut and ring. Information on ordering complete fittings see page I7.

\*Please add the **suffixes** below according to the material/surface required.

Order code suffixes		
Material	Suffix surface and material	Example
Steel, zinc plated, Cr(VI)-free	CF	K16SCFX
Stainless Steel	71	K16S71X
Brass	MS	K16SMSX

## SV Bulkhead union

EO 24° cone end



Series	D1	D3	L1	L2	L3	L4	L5	L6	S1	S2	S3	Weight g/1 piece	Order code*	PN (bar) <sup>1)</sup>		
														CF	71	MS
L <sup>3)</sup>	06	4	14	7.0	34	27.0	22	42	17	17	14	39	<b>SV06LOMD</b>	500	315	200
	08	6	15	8.0	34	27.0	23	42	19	19	17	50	<b>SV08LOMD</b>	500	315	200
	10	8	17	10.0	35	28.0	25	43	22	22	19	67	<b>SV10LOMD</b>	500	315	200
	12	10	17	10.0	36	29.0	25	44	24	24	22	78	<b>SV12LOMD</b>	400	315	200
	15	12	19	12.0	38	31.0	27	46	27	30	27	128	<b>SV15LOMD</b>	400	315	200
	18	15	21	13.5	40	32.5	30	49	32	36	32	198	<b>SV18LOMD</b>	400	315	200
	22	19	24	16.5	42	34.5	33	51	36	41	36	254	<b>SV22LOMD</b>	250	160	100
	28	24	26	18.5	43	35.5	35	52	41	46	41	335	<b>SV28LOMD</b>	250	160	100
	35	30	29	18.5	47	36.5	40	58	50	55	50	546	<b>SV35LOMD</b>	250	160	160
	42	36	30	19.0	47	36.0	42	59	60	65	60	758	<b>SV42LOMD</b>	250	160	160
S <sup>4)</sup>	06	4	19	12.0	36	29.0	27	44	19	19	17	65	<b>SV06SOMD</b>	800	630	400
	08	5	20	13.0	36	29.0	28	44	22	22	19	87	<b>SV08SOMD</b>	800	630	400
	10	7	22	14.5	37	29.5	31	46	24	24	22	112	<b>SV10SOMD</b>	800	630	400
	12	8	22	14.5	38	30.5	31	47	27	27	24	141	<b>SV12SOMD</b>	630	630	400
	14	10	25	17.0	40	32.0	35	50	30	30	27	180	<b>SV14SOMD</b>	630	630	
	16	12	25	16.5	40	31.5	35	50	32	32	30	201	<b>SV16SOMD</b>	630	400	250
	20	16	28	17.5	44	33.5	39	55	41	41	36	462	<b>SV20SOMD</b>	420	400	250
	25	20	32	20.0	47	35.0	44	59	46	46	46	492	<b>SV25SOMD</b>	420	400	250
	30	25	35	21.5	51	37.5	48	64	50	50	50	631	<b>SV30SOMD</b>	420	400	250
	38	32	38	22.0	53	37.0	53	68	65	65	60	1083	<b>SV38SOMD</b>	420	315	

<sup>1)</sup> Pressure shown = item deliverable

<sup>3)</sup> L = light series; <sup>4)</sup> S = heavy series

$$\frac{\text{PN (bar)}}{10} = \text{PN (MPa)}$$

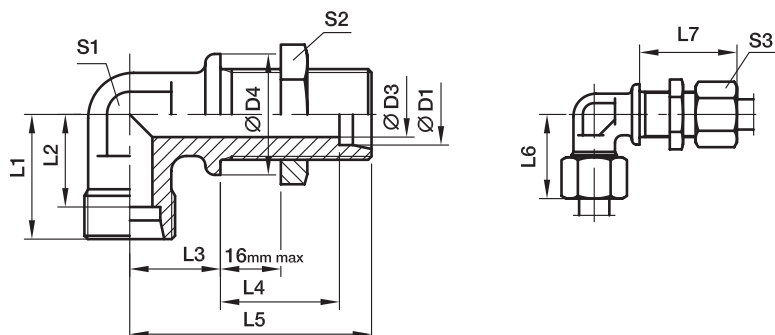
Delivery without nut and ring. Information on ordering complete fittings see page I7.

\*Please add the **suffixes** below according to the material/surface required.

Order code suffixes		
Material	Suffix surface and material	Example
Steel, zinc plated, Cr(VI)-free	CF	SV16SOMDCF
Stainless Steel	71	SV16SOMD71
Brass	MS	SV16SOMDMS

## WSV Bulkhead elbow

EO 24° cone end



Series	D1	D3	D4	L1	L2	L3	L4	L5	L6	L7	S1	S2	S3	Weight g/1 piece	Order code*	PN (bar) <sup>1)</sup>		
																CF	71	MS
L <sup>3)</sup>	06	4	17	19	12.0	14	27.0	48	27	42	12	17	14	51	<b>WSV06LOMD</b>	315	315	200
	08	6	19	21	14.0	17	27.0	51	29	42	12	19	17	61	<b>WSV08LOMD</b>	315	315	200
	10	8	22	22	15.0	18	28.0	53	30	43	14	22	19	78	<b>WSV10LOMD</b>	315	315	200
	12	10	24	24	17.0	20	29.0	56	32	44	17	24	22	85	<b>WSV12LOMD</b>	315	315	200
	15	12	27	28	21.0	23	31.0	61	36	46	19	30	27	150	<b>WSV15LOMD</b>	315	315	200
	18	15	32	31	23.5	24	32.5	64	40	49	24	36	32	238	<b>WSV18LOMD</b>	315	315	200
	22	19	36	35	27.5	30	34.5	72	44	51	27	41	36	327	<b>WSV22LOMD</b>	160	160	
	28	24	42	38	30.5	34	35.5	77	47	52	36	46	41	482	<b>WSV28LOMD</b>	160	160	
	35	30	50	45	34.5	39	36.5	86	56	58	41	55	50	729	<b>WSV35LOMD</b>	160	160	
	42	36	60	51	40.0	43	36.0	90	63	59	50	65	60	1091	<b>WSV42LOMD</b>	160	160	
S <sup>4)</sup>	06	4	19	23	16.0	17	29.0	53	31	44	12	19	17	72	<b>WSV06SOMD</b>	630	630	
	08	5	22	24	17.0	18	29.0	54	32	44	14	22	19	99	<b>WSV08SOMD</b>	630	630	
	10	7	24	25	17.5	20	29.5	57	34	46	17	24	22	128	<b>WSV10SOMD</b>	630	630	
	12	8	27	29	21.5	21	30.5	59	38	47	17	27	24	168	<b>WSV12SOMD</b>	630	630	
	14	10	27	30	22.0	23	32.0	63	40	50	19	30	27	194	<b>WSV14SOMD</b>	630	630	
	16	12	30	33	24.5	24	31.5	64	43	50	24	32	30	249	<b>WSV16SOMD</b>	400	400	
	20	16	36	37	26.5	30	33.5	74	48	55	27	41	36	390	<b>WSV20SOMD</b>	400	400	
	25	20	42	42	30.0	34	35.0	81	54	59	36	46	46	618	<b>WSV25SOMD</b>	400	400	
	30	25	50	49	35.5	39	37.5	90	62	64	41	50	50	889	<b>WSV30SOMD</b>	400	400	
	38	32	60	57	41.0	43	37.0	96	72	68	50	65	60	1337	<b>WSV38SOMD</b>	315	315	

<sup>1)</sup> Pressure shown = item deliverable

<sup>3)</sup> L = light series; <sup>4)</sup> S = heavy series

$$\frac{\text{PN (bar)}}{10} = \text{PN (MPa)}$$

Delivery without nut and ring. Information on ordering complete fittings see page I7.

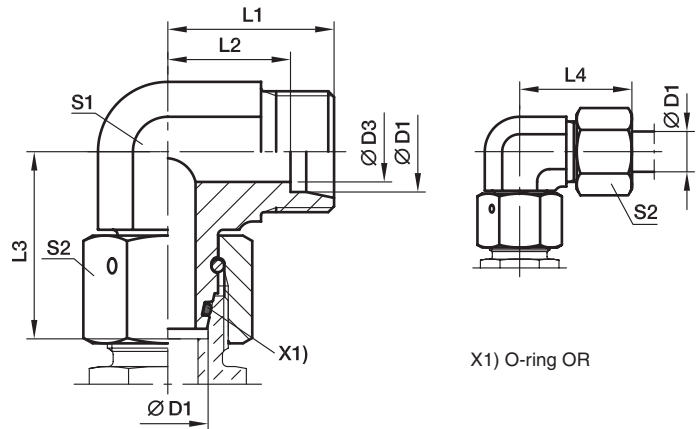
\*Please add the **suffixes** below according to the material/surface required.

Order code suffixes		
Material	Suffix surface and material	Example
Steel, zinc plated, Cr(VI)-free	CF	WSV16SOMDCF
Stainless Steel	71	WSV16SOMD71
Brass	MS	WSV18LOMDMS



## EW Swivel nut elbow

EO 24° cone end / EO 24° DKO swivel



X1) O-ring OR

Series	D1	D3	L1	L2	L3	L4	S1	S2	Weight g/1 piece	Order code*	PN (bar) <sup>1)</sup>	
											CF	71
L <sup>3)</sup>	06	4	19	12.0	26.0	27	12	14	34	<b>EW06LOMD</b>	500	315
	08	6	21	14.0	27.5	29	12	17	43	<b>EW08LOMD</b>	500	315
	10	8	22	15.0	29.0	30	14	19	58	<b>EW10LOMD</b>	500	315
	12	10	24	17.0	29.5	32	17	22	81	<b>EW12LOMD</b>	400	315
	15	12	28	21.0	32.5	36	19	27	128	<b>EW15LOMD</b>	400	315
	18	15	31	23.5	35.5	40	24	32	197	<b>EW18LOMD</b>	400	315
	22	19	35	27.5	38.5	44	27	36	258	<b>EW22LOMD</b>	250	160
	28	24	38	30.5	41.5	47	36	41	370	<b>EW28LOMD</b>	250	160
	35	30	45	34.5	51.0	56	41	50	593	<b>EW35LOMD</b>	250	160
	42	36	51	40.0	56.0	63	50	60	993	<b>EW42LOMD</b>	250	160
S <sup>4)</sup>	06	4	23	16.0	27.0	31	12	17	48	<b>EW06SOMD</b>	800	630
	08	5	24	17.0	27.5	32	14	19	65	<b>EW08SOMD</b>	800	630
	10	6	25	17.5	30.0	34	17	22	92	<b>EW10SOMD</b>	800	630
	12	8	29	21.5	31.0	38	17	24	107	<b>EW12SOMD</b>	630	630
	14	9	30	22.0	35.0	40	19	27	146	<b>EW14SOMD</b>	630	630
	16	12	33	24.5	36.5	43	24	30	212	<b>EW16SOMD</b>	630	400
	20	16	37	26.5	44.5	48	27	36	309	<b>EW20SOMD</b>	420	400
	25	20	42	30.0	50.0	54	36	46	547	<b>EW25SOMD</b>	420	400
	30	25	49	35.5	55.0	62	41	50	744	<b>EW30SOMD</b>	420	400
	38	32	57	41.0	63.0	72	50	60	1222	<b>EW38SOMD</b>	420	315

<sup>1)</sup> Pressure shown = item deliverable

<sup>3)</sup> L = light series; <sup>4)</sup> S = heavy series

$$\frac{PN \text{ (bar)}}{10} = PN \text{ (MPa)}$$

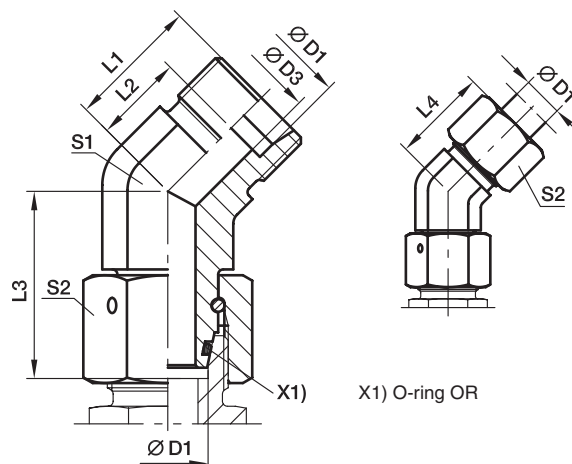
Delivery without nut and ring. Information on ordering complete fittings or alternative sealing materials see page 17.

\*Please add the **suffixes** below according to the material/surface required.

Order code suffixes			
Material	Suffix surface and material	Example	Standard sealing material (no additional suffix needed)
Steel, zinc plated, Cr(VI)-free	CF	EW16SOMDCF	NBR
Stainless Steel	71	EW16SOMD71	VIT

## EV Swivel nut 45° elbow

EO 24° cone end / EO 24° DKO swivel



Series	D1 	D3	L1	L2	L3	L4	S1	S2	Weight g/1 piece	Order code*	PN (bar) <sup>1)</sup>	
											CF	71
L <sup>3)</sup>	06	4	16.0	9.0	26.0	24	14	14	37	<b>EV06LOMD</b>	315	315
	08	6	19.0	12.0	27.5	27	14	17	49	<b>EV08LOMD</b>	315	315
	10	8	19.0	12.0	29.0	27	19	19	77	<b>EV10LOMD</b>	315	315
	12	10	21.0	14.0	29.5	29	19	22	86	<b>EV12LOMD</b>	315	315
	15	12	24.0	17.0	32.5	32	22	27	144	<b>EV15LOMD</b>	315	315
	18	15	24.0	16.5	35.5	33	27	32	210	<b>EV18LOMD</b>	315	315
	22	19	26.0	18.5	38.5	35	30	36	270	<b>EV22LOMD</b>	160	160
	28	24	30.5	23.0	41.5	40	36	41	385	<b>EV28LOMD</b>	160	160
	35	30	37.0	26.5	51.0	48	50	50	805	<b>EV35LOMD</b>	160	160
	42	36	37.0	26.0	56.0	49	50	60	887	<b>EV42LOMD</b>	160	160
S <sup>4)</sup>	06	4	16.0	9.0	27.0	24	14	17	50	<b>EV06SOMD</b>	630	630
	08	5	19.0	12.0	27.5	27	19	19	80	<b>EV08SOMD</b>	630	630
	10	7	21.0	13.5	30.0	30	19	22	95	<b>EV10SOMD</b>	630	630
	12	8	24.0	16.5	31.0	33	22	24	137	<b>EV12SOMD</b>	630	630
	16	12	24.0	15.5	36.5	34	27	30	217	<b>EV16SOMD</b>	400	400
	20	16	26.5	16.0	44.5	38	30	36	313	<b>EV20SOMD</b>	400	400
	25	20	30.5	18.5	50.0	43	36	46	529	<b>EV25SOMD</b>	400	400
	30	25	37.0	23.5	55.0	50	50	50	940	<b>EV30SOMD</b>	400	400
	38	32	37.0	21.0	63.0	52	50	60	1055	<b>EV38SOMD</b>	315	315

<sup>1)</sup> Pressure shown = item deliverable

<sup>3)</sup> L = light series; <sup>4)</sup> S = heavy series

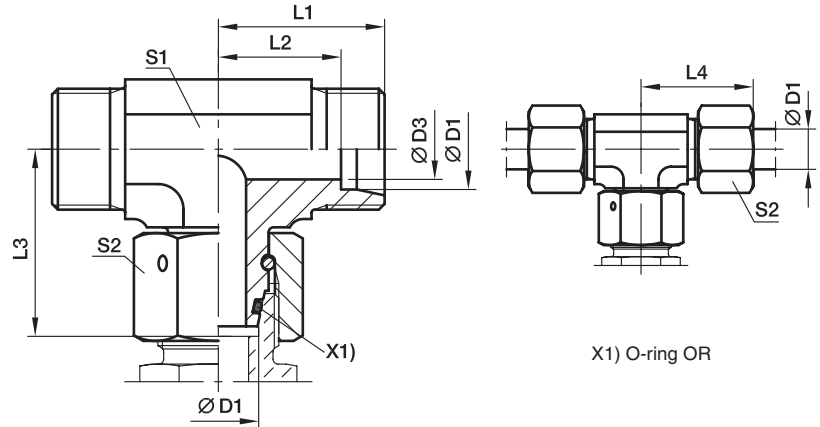
$$\frac{\text{PN (bar)}}{10} = \text{PN (MPa)}$$
**Delivery without nut and ring. Information on ordering complete fittings or alternative sealing materials see page I7.**

 \*Please add the **suffixes** below according to the material/surface required.

Order code suffixes			
Material	Suffix surface and material	Example	Standard sealing material (no additional suffix needed)
Steel, zinc plated, Cr(VI)-free	CF	EV16SOMDCF	NBR
Stainless Steel	71	EV16SOMD71	VIT

## ET Swivel nut branch tee

EO 24° cone end / EO 24° DKO swivel



Series	D1 	D3	L1	L2	L3	L4	S1	S2	Weight g/1 piece	Order code*	PN (bar) <sup>1)</sup>	
											CF	71
L <sup>3)</sup>	06	4	19	12.0	26.0	27	12	14	42	<b>ET06LOMD</b>	500	315
	08	6	21	14.0	27.5	29	12	17	53	<b>ET08LOMD</b>	500	315
	10	8	22	15.0	29.0	30	14	19	71	<b>ET10LOMD</b>	500	315
	12	10	24	17.0	29.5	32	17	22	97	<b>ET12LOMD</b>	400	315
	15	12	28	21.0	32.5	36	19	27	159	<b>ET15LOMD</b>	400	315
	18	15	31	23.5	35.5	40	24	32	239	<b>ET18LOMD</b>	400	315
	22	19	35	27.5	38.5	44	27	36	308	<b>ET22LOMD</b>	250	160
	28	24	38	30.5	41.5	47	36	41	449	<b>ET28LOMD</b>	250	160
	35	30	45	34.5	51.0	56	41	50	679	<b>ET35LOMD</b>	250	160
	42	36	51	40.0	56.0	63	50	60	1131	<b>ET42LOMD</b>	250	160
S <sup>4)</sup>	06	4	23	16.0	27.0	31	12	17	63	<b>ET06SOMD</b>	800	630
	08	5	24	17.0	27.5	32	14	19	79	<b>ET08SOMD</b>	800	630
	10	6	25	17.5	30.0	34	17	22	113	<b>ET10SOMD</b>	800	630
	12	8	29	21.5	31.0	38	17	24	136	<b>ET12SOMD</b>	630	630
	14	9	30	22.0	35.0	40	19	27	173	<b>ET14SOMD</b>	630	630
	16	12	33	24.5	36.5	43	24	30	239	<b>ET16SOMD</b>	630	400
	20	16	37	26.5	44.5	48	27	36	388	<b>ET20SOMD</b>	420	400
	25	20	42	30.0	50.0	54	36	46	652	<b>ET25SOMD</b>	420	400
	30	25	49	35.5	55.0	62	41	50	905	<b>ET30SOMD</b>	420	400
	38	32	57	41.0	63.0	72	50	60	1462	<b>ET38SOMD</b>	420	315

<sup>1)</sup> Pressure shown = item deliverable

<sup>3)</sup> L = light series; <sup>4)</sup> S = heavy series

$$\frac{\text{PN (bar)}}{10} = \text{PN (MPa)}$$

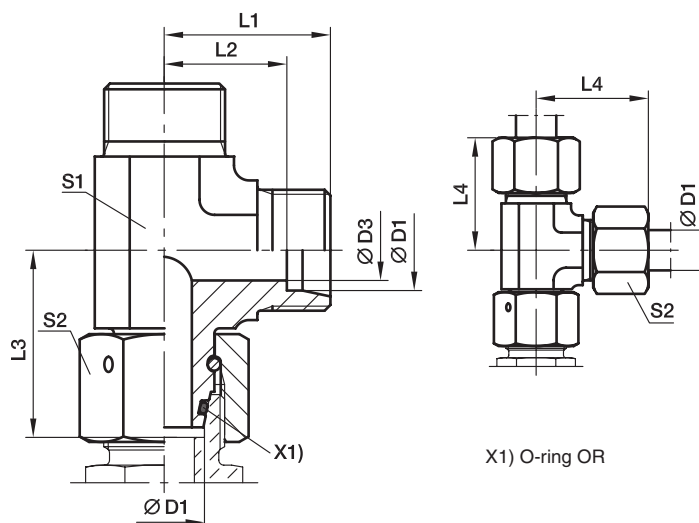
Delivery without nut and ring. Information on ordering complete fittings or alternative sealing materials see page 17.

\*Please add the **suffixes** below according to the material/surface required.

Order code suffixes			
Material	Suffix surface and material	Example	Standard sealing material (no additional suffix needed)
Steel, zinc plated, Cr(VI)-free	CF	ET16SOMDCF	NBR
Stainless Steel	71	ET16SOMD71	VIT

## EL Swivel nut run tee

EO 24° cone end / EO 24° DKO swivel



Series	D1 	D3	L1	L2	L3	L4	S1	S2	Weight g/1 piece	Order code*	PN (bar) <sup>1)</sup>	
											CF	71
L <sup>3)</sup>	06	4	19	12.0	26.0	27	12	14	44	<b>EL06LOMD</b>	500	315
	08	6	21	14.0	27.5	29	12	17	53	<b>EL08LOMD</b>	500	315
	10	8	22	15.0	29.0	30	14	19	68	<b>EL10LOMD</b>	500	315
	12	10	24	17.0	29.5	32	17	22	95	<b>EL12LOMD</b>	400	315
	15	12	28	21.0	32.5	36	19	27	151	<b>EL15LOMD</b>	400	315
	18	15	31	23.5	35.5	40	24	32	233	<b>EL18LOMD</b>	400	315
	22	19	35	27.5	38.5	44	27	36	309	<b>EL22LOMD</b>	250	160
	28	24	38	30.5	41.5	47	36	41	436	<b>EL28LOMD</b>	250	160
	35	30	45	34.5	51.0	56	41	50	666	<b>EL35LOMD</b>	250	160
	42	36	51	40.0	56.0	63	50	60	1163	<b>EL42LOMD</b>	250	160
S <sup>4)</sup>	06	4	23	16.0	27.0	31	12	17	65	<b>EL06SOMD</b>	800	630
	08	5	24	17.0	27.5	32	14	19	84	<b>EL08SOMD</b>	800	630
	10	6	25	17.5	30.0	34	17	22	118	<b>EL10SOMD</b>	800	630
	12	8	29	21.5	31.0	38	17	24	136	<b>EL12SOMD</b>	630	630
	14	9	30	22.0	35.0	40	19	27	173	<b>EL14SOMD</b>	630	630
	16	12	33	24.5	36.5	43	24	30	260	<b>EL16SOMD</b>	630	400
	20	16	37	26.5	44.5	48	27	36	375	<b>EL20SOMD</b>	420	400
	25	20	42	30.0	50.0	54	36	46	655	<b>EL25SOMD</b>	420	400
	30	25	49	35.5	55.0	62	41	50	906	<b>EL30SOMD</b>	420	400
	38	32	57	41.0	63.0	72	50	60	1472	<b>EL38SOMD</b>	420	315

<sup>1)</sup> Pressure shown = item deliverable

<sup>3)</sup> L = light series; <sup>4)</sup> S = heavy series

$\frac{PN \text{ (bar)}}{10} = PN \text{ (MPa)}$

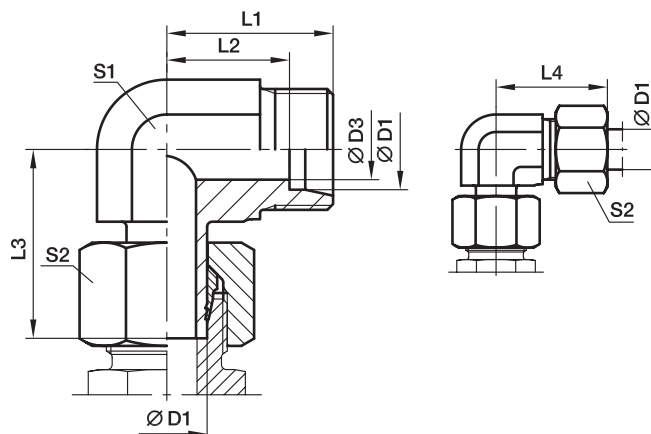
Delivery without nut and ring. Information on ordering complete fittings or alternative sealing materials see page 17.

\*Please add the **suffixes** below according to the material/surface required.

Order code suffixes			
Material	Suffix surface and material	Example	Standard sealing material (no additional suffix needed)
Steel, zinc plated, Cr(VI)-free	CF	EL16SOMDCF	NBR
Stainless Steel	71	EL16SOMD71	VIT

## EVW Standpipe elbow

EO 24° cone end / EO stand pipe adjustable



With pre-assembled nut and progressive ring for connection.  
Final assembly (in appropriate body) at least 1/4 turn beyond the point of clearly perceptible resistance.

Series	D1	D3	L1	L2	L3	L4	S1	S2	Weight g/1 piece	Order code*	PN (bar) <sup>1)</sup>		
											CF	71	MS
L <sup>3)</sup>	06	4	19	12.0	26.0	27	12	14	32	EVW06LOMD	315	315	200
	08	6	21	14.0	27.5	29	12	17	40	EVW08LOMD	315	315	200
	10	8	22	15.0	29.0	30	14	19	54	EVW10LOMD	315	315	200
	12	10	24	17.0	29.5	32	17	22	76	EVW12LOMD	315	315	200
	15	12	28	21.0	32.5	36	19	27	119	EVW15LOMD	315	315	200
	18	15	31	23.5	35.5	40	24	32	192	EVW18LOMD	315	315	200
	22	19	35	27.5	38.5	44	27	36	355	EVW22LOMD	160	160	100
	28	24	38	30.5	42.0	47	36	41	514	EVW28LOMD	160	160	100
	35	30	45	34.5	51.0	56	41	50	536	EVW35LOMD	160	160	100
	42	36	51	40.0	60.0	63	50	60	977	EVW42LOMD	160	160	100
S <sup>4)</sup>	06	4	23	16.0	27.0	31	12	17	44	EVW06SOMD	630	630	400
	08	5	24	17.0	27.5	32	14	19	63	EVW08SOMD	630	630	400
	10	7	25	17.5	31.0	34	17	22	95	EVW10SOMD	630	630	400
	12	8	29	21.5	31.0	38	17	24	110	EVW12SOMD	630	630	400
	14	10	30	22.0	35.0	40	19	27	137	EVW14SOMD	400	400	250
	16	12	33	24.5	37.5	43	24	30	211	EVW16SOMD	400	400	250
	20	16	37	26.5	44.5	48	27	36	306	EVW20SOMD	400	400	250
	25	20	42	30.0	50.0	54	36	46	558	EVW25SOMD	400	400	250
	30	25	49	35.5	55.0	62	41	50	724	EVW30SOMD	400	400	250
	38	32	57	41.0	66.5	72	50	60	1307	EVW38SOMD	315	315	200

<sup>1)</sup> Pressure shown = item deliverable

<sup>3)</sup> L = light series; <sup>4)</sup> S = heavy series

$$\frac{\text{PN (bar)}}{10} = \text{PN (MPa)}$$

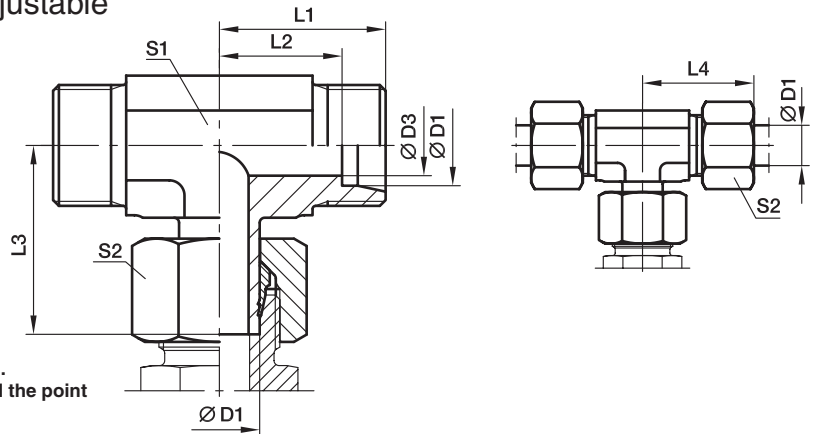
Delivery without nut and ring. Information on ordering complete fittings see page I7.

\*Please add the **suffixes** below according to the material/surface required.

Order code suffixes		
Material	Suffix surface and material	Example
Steel, zinc plated, Cr(VI)-free	CF	EVW16SOMDCF
Stainless Steel	71	EVW16SOMD71
Brass	MS	EVW16SOMDMS

## EVT Standpipe branch tee

EO 24° cone end / EO stand pipe adjustable



With pre-assembled nut and progressive ring for connection.  
Final assembly (in appropriate body) at least 1/4 turn beyond the point of clearly perceptible resistance.

Series	D1	D3	L1	L2	L3	L4	S1	S2	Weight g/1 piece	Order code*	PN (bar) <sup>1)</sup>		
											CF	71	MS
L <sup>3)</sup>	06	4	19	12.0	26.0	27	12	14	37	<b>EVT06LOMD</b>	315	315	200
	08	6	21	14.0	27.5	29	12	17	49	<b>EVT08LOMD</b>	315	315	200
	10	8	22	15.0	29.0	30	14	19	66	<b>EVT10LOMD</b>	315	315	200
	12	10	24	17.0	30.5	32	17	22	93	<b>EVT12LOMD</b>	315	315	200
	15	12	28	21.0	32.5	36	19	27	146	<b>EVT15LOMD</b>	315	315	200
	18	15	31	23.5	35.5	40	24	32	201	<b>EVT18LOMD</b>	315	315	200
	22	19	35	27.5	38.5	44	27	36	274	<b>EVT22LOMD</b>	160	160	
	28	24	38	30.5	43.5	47	36	41	441	<b>EVT28LOMD</b>	160	160	
	35	30	45	34.5	54.5	56	41	50	633	<b>EVT35LOMD</b>	160	160	
	42	36	51	40.0	60.0	63	50	60	1129	<b>EVT42LOMD</b>	160	160	
S <sup>4)</sup>	06	4	23	16.0	27.0	31	12	17	61	<b>EVT06SOMD</b>	630	630	
	08	5	24	17.0	29.0	32	14	19	44	<b>EVT08SOMD</b>	630	630	
	10	7	25	17.5	31.0	34	17	22	84	<b>EVT10SOMD</b>	630	630	
	12	8	29	21.5	33.0	38	17	24	131	<b>EVT12SOMD</b>	630	630	
	14	10	30	22.0	35.0	40	19	27	173	<b>EVT14SOMD</b>	400	400	
	16	12	33	24.5	37.5	43	24	30	240	<b>EVT16SOMD</b>	400	400	
	20	16	37	26.5	44.5	48	27	36	345	<b>EVT20SOMD</b>	400	400	
	25	20	42	30.0	50.5	54	36	46	647	<b>EVT25SOMD</b>	400	400	
	30	25	49	35.5	56.5	62	41	50	873	<b>EVT30SOMD</b>	400	400	
	38	32	57	41.0	66.5	72	50	60	1361	<b>EVT38SOMD</b>	315	315	

<sup>1)</sup> Pressure shown = item deliverable

<sup>3)</sup> L = light series; <sup>4)</sup> S = heavy series

$$\frac{\text{PN (bar)}}{10} = \text{PN (MPa)}$$

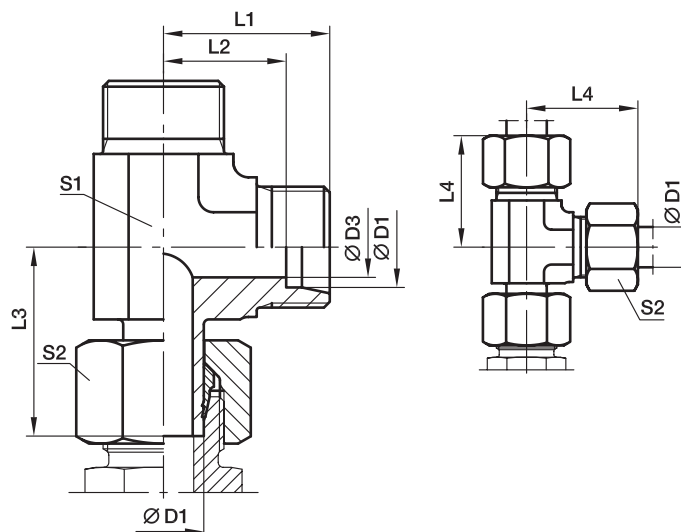
Delivery without nut and ring. Information on ordering complete fittings see page I7.

\*Please add the **suffixes** below according to the material/surface required.

Order code suffixes		
Material	Suffix surface and material	Example
Steel, zinc plated, Cr(VI)-free	CF	EVT16SOMDCF
Stainless Steel	71	EVT16SOMD71
Brass	MS	EVT18LOMDMS

## EVL standpipe run tee

EO 24° cone end / EO stand pipe adjustable



With pre-assembled nut and progressive ring for connection.  
Final assembly (in appropriate body) at least 1/4 turn beyond the point of clearly perceptible resistance.

Series	D1	D3	L1	L2	L3	L4	S1	S2	Weight g/1 piece	Order code*	PN (bar) <sup>1)</sup>		
											CF	71	MS
L <sup>3)</sup>	06	4	19	12.0	26.0	27	12	14	40	<b>EVL06LOMD</b>	315	315	200
	08	6	21	14.0	27.5	29	12	17	50	<b>EVL08LOMD</b>	315	315	200
	10	8	22	15.0	29.0	30	14	19	64	<b>EVL10LOMD</b>	315	315	200
	12	10	24	17.0	30.5	32	17	22	93	<b>EVL12LOMD</b>	315	315	200
	15	12	28	21.0	32.5	36	19	27	147	<b>EVL15LOMD</b>	315	315	200
	18	15	31	23.5	35.5	40	24	32	229	<b>EVL18LOMD</b>	315	315	200
	22	19	35	27.5	39.0	44	27	36	296	<b>EVL22LOMD</b>	160	160	
	28	24	38	30.5	43.5	47	36	41	416	<b>EVL28LOMD</b>	160	160	
	35	30	45	34.5	54.5	56	41	50	661	<b>EVL35LOMD</b>	160	160	
	42	36	51	40.0	60.0	63	50	60	1105	<b>EVL42LOMD</b>	160	160	
S <sup>4)</sup>	06	4	23	16.0	27.0	31	12	17	57	<b>EVL06SOMD</b>	630	630	
	08	5	24	17.0	29.0	32	14	19	84	<b>EVL08SOMD</b>	630	630	
	10	7	25	17.5	32.0	34	17	22	116	<b>EVL10SOMD</b>	630	630	
	12	8	29	21.5	33.0	38	17	24	137	<b>EVL12SOMD</b>	630	630	
	14	10	30	22.0	35.0	40	19	27	175	<b>EVL14SOMD</b>	400	400	
	16	12	33	24.5	37.5	43	24	30	259	<b>EVL16SOMD</b>	400	400	
	20	16	37	26.5	44.5	48	27	36	371	<b>EVL20SOMD</b>	400	400	
	25	20	42	30.0	50.5	54	36	46	647	<b>EVL25SOMD</b>	400	400	
	30	25	49	35.5	56.5	62	41	50	906	<b>EVL30SOMD</b>	400	400	
	38	32	57	41.0	66.5	72	50	60	1549	<b>EVL38SOMD</b>	315	315	

<sup>1)</sup> Pressure shown = item deliverable

<sup>3)</sup> L = light series; <sup>4)</sup> S = heavy series

$\frac{\text{PN (bar)}}{10} = \text{PN (MPa)}$

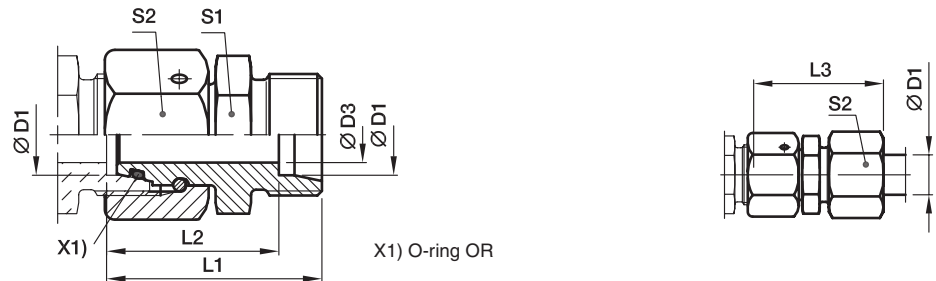
Delivery without nut and ring. Information on ordering complete fittings see page 17.

\*Please add the **suffixes** below according to the material/surface required.

Order code suffixes		
Material	Suffix surface and material	Example
Steel, zinc plated, Cr(VI)-free	CF	EVL16SOMDCF
Stainless Steel	71	EVL16SOMD71
Brass	MS	EVL18LOMDMS

## DA Distance piece adapter

EO 24° DKO swivel / EO 24° cone end



Series	D1 	D3	L1	L2	L3	S1	S2	Weight g/1 piece	Order code*	PN (bar) <sup>1)</sup>		
										CF	71	MS
L <sup>3)</sup>	06	2,5	43.0	36	51	12	14	33	<b>DA06LOMD</b>	500	315	200
	08	4.0	43.0	36	51	14	17	46	<b>DA08LOMD</b>	500	315	200
	10	6.0	43.0	36	51	17	19	60	<b>DA10LOMD</b>	500	315	200
	12	8.0	43.0	36	51	19	22	75	<b>DA12LOMD</b>	400	315	200
	15	10.0	43.0	36	51	24	27	118	<b>DA15LOMD</b>	400	315	200
	18	13.0	43.5	36	52	27	32	153	<b>DA18LOMD</b>	400	315	200
	22	17.0	47.5	40	56	32	36	210	<b>DA22LOMD</b>	250	160	100
	28	22.0	47.5	40	57	41	41	279	<b>DA28LOMD</b>	250	160	100
	35	28.0	60.5	50	72	46	50	468	<b>DA35LOMD</b>	250	160	100
	42	34.0	71.0	60	83	55	60	802	<b>DA42LOMD</b>	250	160	100
S <sup>4)</sup>	06	2.5	43.0	36	51	14	17	48	<b>DA06SOMD</b>	800	630	400
	08	4.0	43.0	36	51	17	19	64	<b>DA08SOMD</b>	800	630	400
	10	6.0	43.5	36	52	19	22	81	<b>DA10SOMD</b>	800	630	400
	12	8.0	43.5	36	52	22	24	97	<b>DA12SOMD</b>	630	630	400
	14	9.0	48.0	40	58	24	27	133	<b>DA14SOMD</b>	630	630	400
	16	11.0	48.5	40	58	27	30	166	<b>DA16SOMD</b>	630	400	250
	20	14.0	56.5	46	68	32	36	265	<b>DA20SOMD</b>	420	400	250
	25	18.0	62.0	50	74	41	46	466	<b>DA25SOMD</b>	420	400	250
	30	23.0	69.5	56	83	46	50	601	<b>DA30SOMD</b>	420	400	250
	38	30.0	76.0	60	91	55	60	871	<b>DA38SOMD</b>	420	315	200

<sup>1)</sup> Pressure shown = item deliverable

<sup>3)</sup> L = light series; <sup>4)</sup> S = heavy series

$$\frac{\text{PN (bar)}}{10} = \text{PN (MPa)}$$

Delivery without nut and ring. Information on ordering complete fittings or alternative sealing materials see page 17.

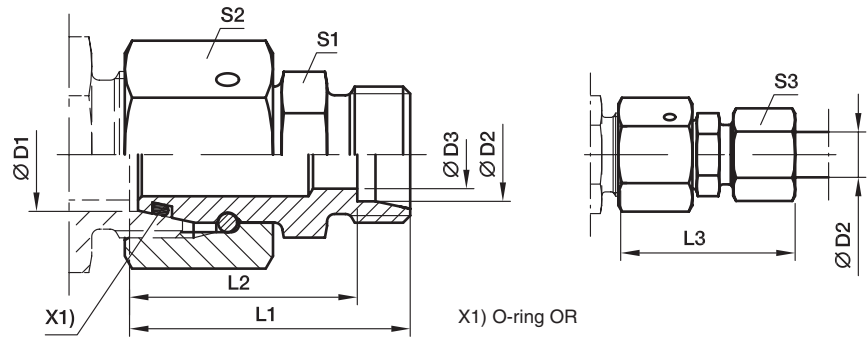
\*Please add the **suffixes** below according to the material/surface required.

Order code suffixes			
Material	Suffix surface and material	Example	Standard sealing material (no additional suffix needed)
Steel, zinc plated, Cr(VI)-free	CF	DA16SOMDCF	NBR
Stainless Steel	71	DA16SOMD71	VIT
Brass	MS	DA16SOMDMS	NBR



**RED Tube end reducer**

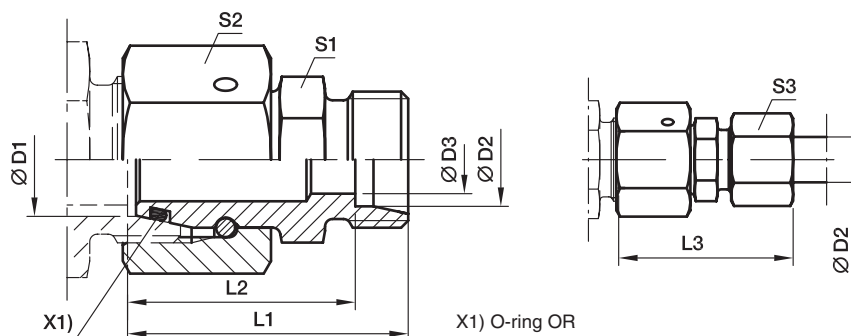
EO 24° DKO swivel / EO 24° cone end



Series 2) 3) 4)	D1	D2	D3	L1	L2	L3	S1	S2	S3	Weight g/1 piece	Order code*	PN (bar) <sup>1)</sup>	
												CF	71
L/LL	06	04	2.5	28.5	24.5	34.0	9	14	10	17	<b>RED06L/04LLOMD</b>	100	100
L	08	06	4.0	30.5	23.5	38.0	12	17	14	29	<b>RED08/06LOMD</b>	500	315
L	10	06	4.0	32.0	25.0	40.0	14	19	14	36	<b>RED10/06LOMD</b>	500	315
L	10	08	6.0	32.0	25.0	40.0	14	19	17	38	<b>RED10/08LOMD</b>	500	315
L	12	06	4.0	32.0	25.0	40.0	17	22	14	49	<b>RED12/06LOMD</b>	400	315
L	12	08	6.0	32.0	25.0	40.0	17	22	17	49	<b>RED12/08LOMD</b>	400	315
L	12	10	8.0	33.0	26.0	41.0	17	22	19	51	<b>RED12/10LOMD</b>	400	315
L	15	06	4.0	35.5	28.5	43.0	19	27	14	81	<b>RED15/06LOMD</b>	400	315
L	15	08	6.0	35.5	28.5	43.0	19	27	17	85	<b>RED15/08LOMD</b>	400	315
L	15	10	8.0	36.5	29.5	44.0	19	27	19	83	<b>RED15/10LOMD</b>	400	315
L	15	12	10.0	36.5	29.5	44.0	19	27	22	83	<b>RED15/12LOMD</b>	400	315
L	18	06	4.0	35.0	28.0	43.0	24	32	14	109	<b>RED18/06LOMD</b>	400	315
L	18	08	6.0	35.0	28.0	43.0	24	32	17	111	<b>RED18/08LOMD</b>	400	315
L	18	10	8.0	36.0	29.0	44.0	24	32	19	110	<b>RED18/10LOMD</b>	400	315
L	18	12	10.0	36.0	29.0	44.0	24	32	22	110	<b>RED18/12LOMD</b>	400	315
L	18	15	12.0	37.0	30.0	45.0	24	32	27	115	<b>RED18/15LOMD</b>	400	315
L/S	18	16	12.0	40.0	31.5	49.5	27	32	30	138	<b>RED18L/16SOMD</b>	400	315
L	22	06	4.0	39.0	32.0	47.0	27	36	14	158	<b>RED22/06LOMD</b>	250	160
L	22	08	6.0	39.0	32.0	47.0	27	36	17	158	<b>RED22/08LOMD</b>	250	160
L	22	10	8.0	40.0	33.0	48.0	27	36	19	159	<b>RED22/10LOMD</b>	250	160
L	22	12	10.0	40.0	33.0	48.0	27	36	22	157	<b>RED22/12LOMD</b>	250	160
L	22	15	12.0	41.0	34.0	49.0	27	36	27	164	<b>RED22/15LOMD</b>	250	160
L/S	22	16	12.0	43.0	34.5	52.5	27	36	30	173	<b>RED22L/16SOMD</b>	250	160
L	22	18	15.0	41.0	33.5	50.0	27	36	32	167	<b>RED22/18LOMD</b>	250	160
L/S	22	20	16.0	45.0	34.5	56.0	32	36	36	203	<b>RED22L/20SOMD</b>	250	160
L	28	06	4.0	41.0	34.0	49.0	32	41	14	219	<b>RED28/06LOMD</b>	250	160
L	28	08	6.0	41.0	34.0	49.0	32	41	17	221	<b>RED28/08LOMD</b>	250	160
L	28	10	8.0	42.0	35.0	50.0	32	41	19	213	<b>RED28/10LOMD</b>	250	160
L	28	12	10.0	42.0	35.0	50.0	32	41	22	213	<b>RED28/12LOMD</b>	250	160
L	28	15	12.0	43.0	36.0	51.0	32	41	27	218	<b>RED28/15LOMD</b>	250	160
L/S	28	16	12.0	45.0	36.5	54.5	32	41	30	227	<b>RED28L/16SOMD</b>	250	160
L	28	18	15.0	43.0	35.5	52.0	32	41	32	220	<b>RED28/18LOMD</b>	250	160
L	28	22	19.0	45.0	37.5	54.0	32	41	36	222	<b>RED28/22LOMD</b>	250	160
L/S	28	25	20.0	50.0	38.0	62.0	41	41	46	300	<b>RED28L/25SOMD</b>	250	160
L	35	06	4.0	44.0	37.0	52.0	41	50	14	318	<b>RED35/06LOMD</b>	250	160
L	35	08	6.0	44.0	37.0	52.0	41	50	17	318	<b>RED35/08LOMD</b>	250	160
L	35	10	8.0	45.0	38.0	53.0	41	50	19	318	<b>RED35/10LOMD</b>	250	160
L	35	12	10.0	45.0	38.0	53.0	41	50	22	324	<b>RED35/12LOMD</b>	250	160
L	35	15	12.0	46.0	39.0	54.0	41	50	27	328	<b>RED35/15LOMD</b>	250	160
L	35	18	15.0	46.0	38.5	55.0	41	50	32	328	<b>RED35/18LOMD</b>	250	160
L	35	22	19.0	48.0	40.5	57.0	41	50	36	331	<b>RED35/22LOMD</b>	250	160

## RED Tube end reducer

EO 24° DKO swivel / EO 24° cone end



Series 2) 3) 4)	D1	D2	D3	L1	L2	L3	S1	S2	S3	Weight g/1 piece	Order code*	PN (bar) <sup>1)</sup>	
												CF	71
L/S	35	25	20.0	52.0	40.0	64.0	41	50	46	366	<b>RED35L/25SOMD</b>	250	160
L	35	28	24.0	48.0	40.5	57.0	41	50	41	327	<b>RED35/28LOMD</b>	250	160
L/S	35	30	25.0	55.0	41.5	68.0	46	50	50	435	<b>RED35L/30SOMD</b>	250	160
L	42	10	8.0	48.5	41.5	56.0	50	60	19	537	<b>RED42/10LOMD</b>	250	160
L	42	12	10.0	48.5	41.5	56.0	50	60	22	538	<b>RED42/12LOMD</b>	250	160
L	42	15	12.0	49.5	42.5	58.0	50	60	27	534	<b>RED42/15LOMD</b>	250	160
L	42	18	15.0	49.5	42.0	58.0	50	60	32	544	<b>RED42/18LOMD</b>	250	160
L	42	22	19.0	51.5	44.0	60.0	50	60	36	543	<b>RED42/22LOMD</b>	250	160
L	42	28	24.0	51.5	44.0	61.0	50	60	41	539	<b>RED42/28LOMD</b>	250	160
L/S	42	30	25.0	57.5	44.0	70.5	50	60	50	588	<b>RED42L/30SOMD</b>	250	160
L	42	35	30.0	53.5	43.0	65.0	50	60	50	541	<b>RED42/35LOMD</b>	250	160
L/S	42	38	32.0	61.5	45.5	76.0	55	60	60	701	<b>RED42L/38SOMD</b>	250	160

<sup>1)</sup> Pressure shown = item deliverable

<sup>2)</sup> LL = very light series; <sup>3)</sup> L = light series; <sup>4)</sup> S = heavy series

$$\frac{\text{PN (bar)}}{10} = \text{PN (MPa)}$$

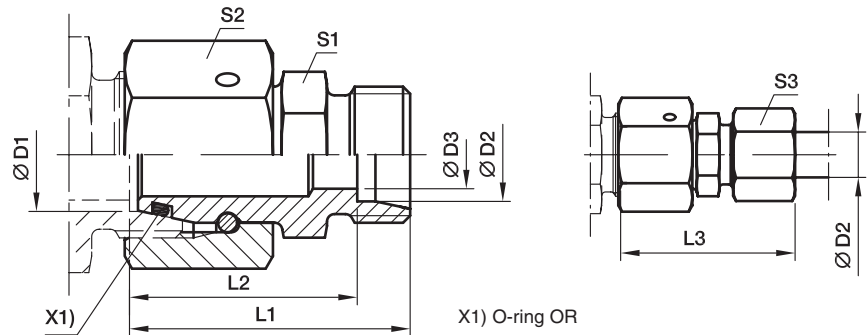
Delivery without nut and ring. Information on ordering complete fittings or alternative sealing materials see page 17.

\*Please add the **suffixes** below according to the material/surface required.

Order code suffixes			
Material	Suffix surface and material	Example	Standard sealing material (no additional suffix needed)
Steel, zinc plated, Cr(VI)-free	CF	RED18/15LOMDCF	NBR
Stainless Steel	71	RED18/15LOMD71	VIT

**RED Tube end reducer**

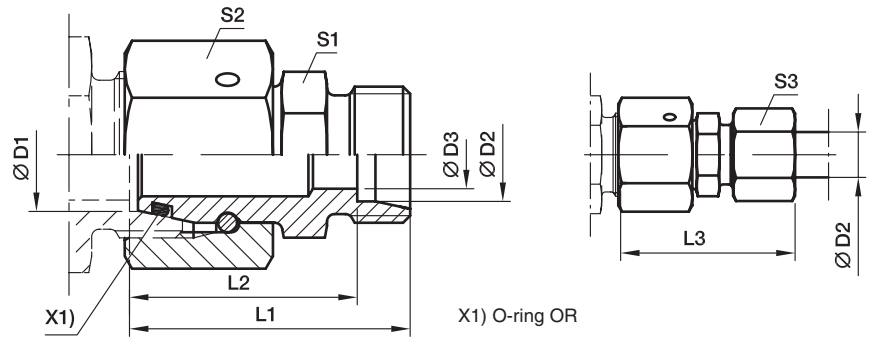
EO 24° DKO swivel / EO 24° cone end



Series <sup>3) 4)</sup>	D1	D2	D3	L1	L2	L3	S1	S2	S3	Weight g/1 piece	Order code*	PN (bar) <sup>1)</sup>	
												CF	71
S	08	06	4	34.0	27.0	42	14	19	17	42	RED08/06SOMD	800	630
S	10	06	4	34.5	27.5	42	17	22	17	55	RED10/06SOMD	800	630
S	10	08	5	34.5	27.5	42	17	22	19	58	RED10/08SOMD	800	630
S	12	06	4	36.0	29.0	44	17	24	17	66	RED12/06SOMD	630	630
S	12	08	5	36.0	29.0	44	17	24	19	68	RED12/08SOMD	630	630
S	12	10	7	37.0	29.5	46	19	24	22	75	RED12/10SOMD	630	630
S	14	06	4	38.5	31.5	46	19	27	17	88	RED14/06SOMD	630	630
S	14	08	5	38.5	31.5	46	19	27	19	90	RED14/08SOMD	630	630
S	14	10	7	38.5	31.0	47	19	27	22	91	RED14/10SOMD	630	630
S	14	12	8	38.5	31.0	47	22	27	24	100	RED14/12SOMD	630	630
S	16	06	4	39.0	32.0	47	22	30	17	112	RED16/06SOMD	630	400
S	16	08	5	39.0	32.0	47	22	30	19	114	RED16/08SOMD	630	400
S	16	10	7	39.0	31.5	48	22	30	22	115	RED16/10SOMD	630	400
S	16	12	8	39.0	31.5	48	22	30	24	118	RED16/12SOMD	630	400
S	16	14	10	41.0	33.0	51	24	30	27	128	RED16/14SOMD	630	400
S/L	16	15	11	39.0	32.0	47	24	30	27	120	RED16S/15LOMD	400	315
S	20	06	4	43.0	36.0	51	27	36	17	172	RED20/06SOMD	420	400
S	20	08	5	43.0	36.0	51	27	36	19	174	RED20/08SOMD	420	400
S	20	10	7	43.0	35.5	52	27	36	22	174	RED20/10SOMD	420	400
S	20	12	8	43.0	35.5	52	27	36	24	177	RED20/12SOMD	420	400
S	20	14	10	45.0	37.0	55	27	36	27	182	RED20/14SOMD	420	400
S/L	20	15	12	43.0	36.0	51	27	36	27	173	RED20S/15LOMD	400	315
S	20	16	12	45.0	36.5	55	27	36	30	182	RED20/16SOMD	420	400
S/L	20	18	14	43.0	35.5	51	27	36	32	178	RED20S/18LOMD	400	315
S	25	06	4	45.5	38.5	53	32	46	17	294	RED25/06SOMD	420	400
S	25	08	5	45.5	38.5	53	32	46	19	295	RED25/08SOMD	420	400
S	25	10	7	45.5	38.0	54	32	46	22	296	RED25/10SOMD	420	400
S	25	12	8	45.5	38.0	54	32	46	24	299	RED25/12SOMD	420	400
S	25	14	10	47.5	39.5	57	32	46	27	303	RED25/14SOMD	420	400
S	25	16	12	47.5	39.0	57	32	46	30	304	RED25/16SOMD	420	400
S/L	25	18	15	45.5	38.0	54	32	46	32	299	RED25S/18LOMD	400	315
S	25	20	16	49.5	39.0	61	32	46	36	315	RED25/20SOMD	420	400
S/L	25	22	18	47.5	40.0	56	32	46	36	304	RED25S/22LOMD	250	160
S	30	06	4	51.0	44.0	59	41	50	17	412	RED30/06SOMD	420	400
S	30	08	5	51.0	44.0	59	41	50	19	404	RED30/08SOMD	420	400
S	30	10	7	51.0	43.5	60	41	50	22	405	RED30/10SOMD	420	400
S	30	12	8	51.0	43.5	60	41	50	24	405	RED30/12SOMD	420	400
S	30	14	10	53.0	45.0	63	41	50	27	408	RED30/14SOMD	420	400
S	30	16	12	53.0	44.5	63	41	50	30	412	RED30/16SOMD	420	400
S	30	20	16	55.0	44.5	66	41	50	36	421	RED30/20SOMD	420	400

## RED Tube end reducer

EO 24° DKO swivel / EO 24° cone end



Series <sup>3) 4)</sup>	D1	D2	D3	L1	L2	L3	S1	S2	S3	Weight g/1 piece	Order code*	PN (bar) <sup>1)</sup>	
												CF	71
S/L	30	22	19	53.0	45.5	61	41	50	36	406	<b>RED30S/22LOMD</b>	250	160
S	30	25	20	57.0	45.0	69	41	50	46	439	<b>RED30/25SOMD</b>	420	400
S/L	30	28	23	53.0	45.5	62	41	50	41	406	<b>RED30S/28LOMD</b>	250	160
S	38	06	4	54.5	47.5	62	50	60	17	556	<b>RED38/06SOMD</b>	420	315
S	38	08	5	54.5	47.5	62	50	60	19	581	<b>RED38/08SOMD</b>	420	315
S	38	10	7	54.5	47.0	63	50	60	22	579	<b>RED38/10SOMD</b>	420	315
S	38	12	8	54.5	47.0	63	50	60	24	577	<b>RED38/12SOMD</b>	420	315
S	38	14	10	56.5	48.5	66	50	60	27	579	<b>RED38/14SOMD</b>	420	315
S	38	16	12	56.5	48.0	66	50	60	30	580	<b>RED38/16SOMD</b>	420	315
S	38	20	16	58.5	48.0	70	50	60	36	601	<b>RED38/20SOMD</b>	420	315
S	38	25	20	60.5	48.5	73	50	60	46	615	<b>RED38/25SOMD</b>	420	315
S/L	38	28	24	56.5	49.0	65	50	60	41	573	<b>RED38S/28LOMD</b>	250	160
S	38	30	25	62.5	49.0	76	50	60	50	625	<b>RED38/30SOMD</b>	420	315
S/L	38	35	30	58.5	48.0	69	50	60	50	588	<b>RED38S/35LOMD</b>	250	160

<sup>1)</sup> Pressure shown = item deliverable

<sup>3)</sup> L = light series; <sup>4)</sup> S = heavy series

$$\frac{\text{PN (bar)}}{10} = \text{PN (MPa)}$$

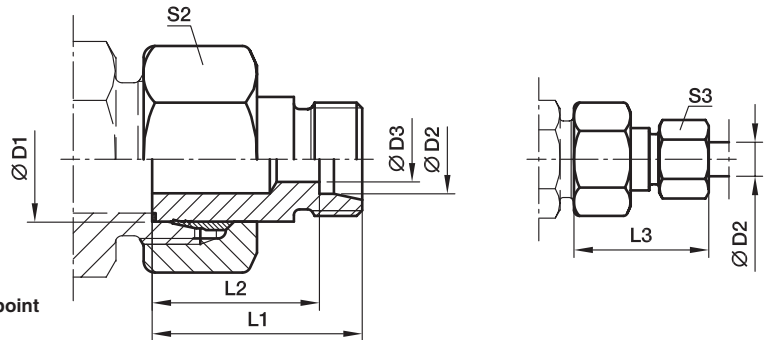
Delivery without nut and ring. Information on ordering complete fittings or alternative sealing materials see page 17.

\*Please add the **suffixes** below according to the material/surface required.

Order code suffixes			
Material	Suffix surface and material	Example	Standard sealing material (no additional suffix needed)
Steel, zinc plated, Cr(VI)-free	CF	RED16/12SOMDCF	NBR
Stainless Steel	71	RED16/12SOMD71	VIT

## KOR Tube end reducer – Steel and Brass

EO stand pipe adjustable / EO 24° cone end

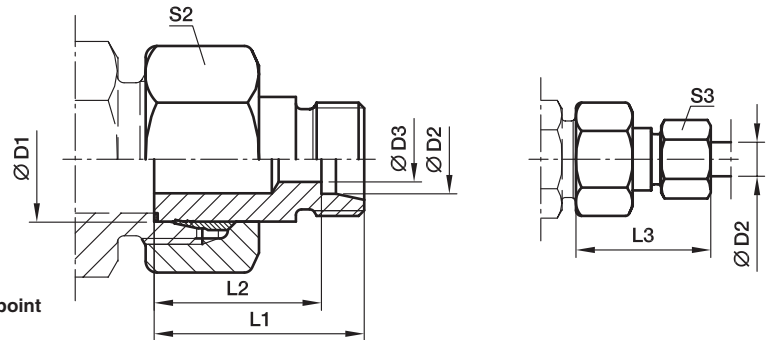


With pre-assembled nut and progressive ring for connection.  
Final assembly (in appropriate body) at least 1/4 turn beyond the point of clearly perceptible resistance.

Series 2) 3)	D1	D2	D3	L1	L2	L3	S2	S3	Weight g/1 piece	Order code*	PN (bar) <sup>1)</sup>	
											CF	MS
LL	06	04	3.0	28.5	24.5	34	12	10	16	KOR06/04LLOMD	100	
LL	08	04	3.0	28.5	24.5	34	14	10	16	KOR08/04LLOMD	100	
LL	08	06	4.5	23.0	17.5	29	14	12	14	KOR08/06LLOMD	100	
L/LL	06	04	3.0	28.5	24.5	34	14	10	16	KOR06L/04LLOMD	100	
L/LL	08	04	3.0	28.5	24.5	34	17	10	16	KOR08L/04LLOMD	100	
L	08	06	4.0	30.5	23.5	38	17	14	27	KOR08/06LOMD	315	200
L/LL	10	04	3.0	28.5	24.5	34	19	10	32	KOR10L/04LLOMD	100	
L	10	06	4.0	30.5	23.5	38	19	14	34	KOR10/06LOMD	315	200
L	10	08	6.0	30.5	23.5	38	19	17	35	KOR10/08LOMD	315	200
L/LL	12	04	3.0	28.5	24.5	34	22	10	41	KOR12L/04LLOMD	100	
L	12	06	4.0	30.5	23.5	38	22	14	45	KOR12/06LOMD	315	200
L	12	08	6.0	30.5	23.5	38	22	17	45	KOR12/08LOMD	315	200
L	12	10	8.0	31.5	24.5	39	22	19	46	KOR12/10LOMD	315	200
L	15	06	4.0	30.5	23.5	38	27	14	68	KOR15/06LOMD	315	200
L	15	08	6.0	30.5	23.5	38	27	17	69	KOR15/08LOMD	315	200
L	15	10	8.0	31.5	24.5	39	27	19	70	KOR15/10LOMD	315	200
L	15	12	10.0	31.5	24.5	39	27	22	70	KOR15/12LOMD	315	200
L	18	06	4.0	31.5	24.5	39	32	14	100	KOR18/06LOMD	315	200
L	18	08	6.0	31.5	24.5	39	32	17	102	KOR18/08LOMD	315	200
L	18	10	8.0	32.5	25.5	40	32	19	102	KOR18/10LOMD	315	200
L	18	12	10.0	32.5	25.5	40	32	22	101	KOR18/12LOMD	315	200
L	18	15	12.0	33.5	26.5	42	32	27	106	KOR18/15LOMD	315	200
L	22	06	4.0	32.5	25.5	40	36	14	137	KOR22/06LOMD	160	100
L	22	08	6.0	32.5	25.5	40	36	17	136	KOR22/08LOMD	160	100
L	22	10	8.0	33.5	26.5	41	36	19	138	KOR22/10LOMD	160	100
L	22	12	10.0	33.5	26.5	41	36	22	138	KOR22/12LOMD	160	100
L	22	15	12.0	34.5	27.5	43	36	27	143	KOR22/15LOMD	160	100
L	22	18	15.0	34.5	27.0	43	36	32	143	KOR22/18LOMD	160	100
L	28	06	4.0	33.5	26.5	41	41	14	177	KOR28/06LOMD	160	100
L	28	08	6.0	33.5	26.5	41	41	17	179	KOR28/08LOMD	160	100
L	28	10	8.0	34.5	27.5	42	41	19	180	KOR28/10LOMD	160	100
L	28	12	10.0	34.5	27.5	42	41	22	180	KOR28/12LOMD	160	100
L	28	15	12.0	35.5	28.5	44	41	27	185	KOR28/15LOMD	160	100
L	28	18	15.0	35.5	28.0	44	41	32	184	KOR28/18LOMD	160	100
L	28	22	19.0	37.5	30.0	46	41	36	188	KOR28/22LOMD	160	100
L	35	06	4.0	38.5	31.5	46	50	14	302	KOR35/06LOMD	160	
L	35	08	6.0	38.5	31.5	46	50	17	306	KOR35/08LOMD	160	
L	35	10	8.0	39.5	32.5	47	50	19	305	KOR35/10LOMD	160	100
L	35	12	10.0	39.5	32.5	47	50	22	304	KOR35/12LOMD	160	100
L	35	15	12.0	40.5	33.5	49	50	27	308	KOR35/15LOMD	160	100
L	35	18	15.0	40.5	33.0	49	50	32	316	KOR35/18LOMD	160	100
L	35	22	19.0	42.5	35.0	51	50	36	310	KOR35/22LOMD	160	100
L	35	28	24.0	42.5	35.0	52	50	41	305	KOR35/28LOMD	160	100

## KOR Tube end reducer – Steel and Brass

EO stand pipe adjustable / EO 24° cone end



With pre-assembled nut and progressive ring for connection.  
Final assembly (in appropriate body) at least 1/4 turn beyond the point of clearly perceptible resistance.

Series 2) 3)	D1 	D2 	D3	L1	L2	L3	S2	S3	Weight g/1 piece	Order code*	PN (bar) <sup>1)</sup>	
											CF	MS
L	42	10	8.0	40.5	33.5	48	60	19	455	<b>KOR42/10LOMD</b>	160	
L	42	12	10.0	40.5	33.5	48	60	22	438	<b>KOR42/12LOMD</b>	160	
L	42	15	12.0	41.5	34.5	50	60	27	438	<b>KOR42/15LOMD</b>	160	100
L	42	18	15.0	41.5	34.0	50	60	32	449	<b>KOR42/18LOMD</b>	160	100
L	42	22	19.0	43.5	36.0	52	60	36	461	<b>KOR42/22LOMD</b>	160	100
L	42	28	24.0	43.5	36.0	53	60	41	443	<b>KOR42/28LOMD</b>	160	100
L	42	35	30.0	45.5	35.0	57	60	50	444	<b>KOR42/35LOMD</b>	160	100

<sup>1)</sup> Pressure shown = item deliverable

<sup>2)</sup> LL = very light series; <sup>3)</sup> L = light series

$$\frac{\text{PN (bar)}}{10} = \text{PN (MPa)}$$

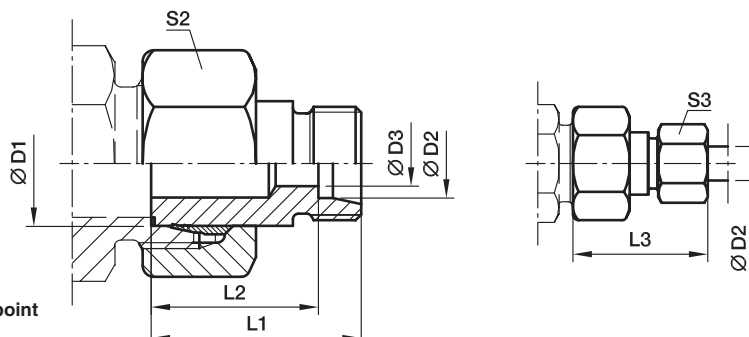
Delivery without nut and ring. Information on ordering complete fittings see page I7.

Order code suffixes		
Material	Suffix surface and material	Example
Steel, zinc plated, Cr(VI)-free	CF	KOR18/15LOMDCF
Brass	MS	KOR18/15LOMDMS

\*Please add the **suffixes** below according to the material/surface required.

## KOR Tube end reducer – Steel and Brass

EO stand pipe adjustable / EO 24° cone end

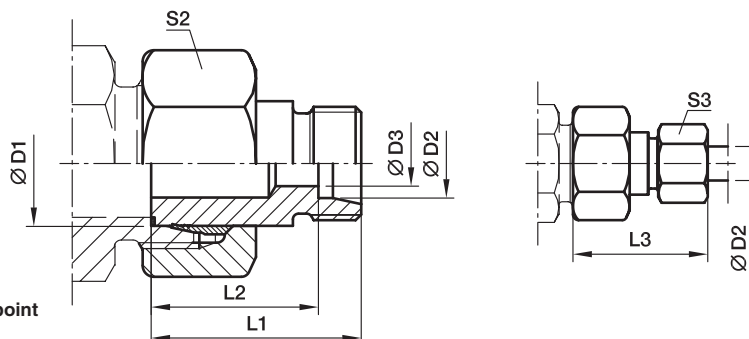


With pre-assembled nut and progressive ring for connection.  
Final assembly (in appropriate body) at least 1/4 turn beyond the point of clearly perceptible resistance.

Series	D1	D2	D3	L1	L2	L3	S2	S3	Weight g/1 piece	Order code*	PN (bar) <sup>1)</sup>	
											CF	MS
S <sup>4)</sup>	08	06	4	32	25.0	40	19	17	37	KOR08/06SOMD	630	400
	10	06	4	33	26.0	41	22	17	53	KOR10/06SOMD	630	400
	10	08	5	33	26.0	41	22	19	55	KOR10/08SOMD	630	400
	12	06	4	34	27.0	42	24	17	61	KOR12/06SOMD	630	400
	12	08	5	34	27.0	42	24	19	63	KOR12/08SOMD	630	400
	12	10	7	34	26.5	43	24	22	64	KOR12/10SOMD	630	400
	14	06	4	36	29.0	44	27	17	88	KOR14/06SOMD	630	400
	14	08	5	36	29.0	44	27	19	89	KOR14/08SOMD	630	400
	14	10	7	36	28.5	45	27	22	91	KOR14/10SOMD	630	400
	14	12	8	36	28.5	45	27	24	92	KOR14/12SOMD	630	400
	16	06	4	36	29.0	44	30	17	106	KOR16/06SOMD	400	250
	16	08	5	36	29.0	44	30	19	108	KOR16/08SOMD	400	250
16	10	7	36	28.5	45	30	22	114	KOR16/10SOMD	400	250	
16	12	8	36	28.5	45	30	24	115	KOR16/12SOMD	400	250	
16	14	10	38	30.0	48	30	27	116	KOR16/14SOMD	400	250	
20	06	4	41	34.0	49	36	17	175	KOR20/06SOMD	400	250	
20	08	5	41	34.0	49	36	19	177	KOR20/08SOMD	400	250	
20	10	7	41	33.5	50	36	22	178	KOR20/10SOMD	400	250	
20	12	8	41	33.5	50	36	24	180	KOR20/12SOMD	400	250	
20	14	10	41	33.0	51	36	27	180	KOR20/14SOMD	400	250	
20	16	12	43	34.5	53	36	30	182	KOR20/16SOMD	400	250	
25	06	4	44	37.0	52	46	17	306	KOR25/06SOMD	400		
25	08	5	44	37.0	52	46	19	311	KOR25/08SOMD	400	250	
25	10	7	44	36.5	53	46	22	313	KOR25/10SOMD	400	250	
25	12	8	44	36.5	53	46	24	317	KOR25/12SOMD	400	250	
25	14	10	45	37.0	55	46	27	312	KOR25/14SOMD	400	250	
25	16	12	45	36.5	55	46	30	315	KOR25/16SOMD	400	250	
25	20	16	48	37.5	59	46	36	328	KOR25/20SOMD	400	250	
30	06	4	46	39.0	54	50	17	373	KOR30/06SOMD	400		
30	08	5	46	39.0	54	50	19	376	KOR30/08SOMD	400		
30	10	7	46	38.5	55	50	22	376	KOR30/10SOMD	400	250	
30	12	8	46	38.5	55	50	24	377	KOR30/12SOMD	400	250	
30	14	10	48	40.0	58	50	27	379	KOR30/14SOMD	400	250	
30	16	12	48	39.5	58	50	30	381	KOR30/16SOMD	400	250	
30	20	16	50	39.5	61	50	36	386	KOR30/20SOMD	400	250	
30	25	20	52	40.0	64	50	46	406	KOR30/25SOMD	400	250	
38	06	4	50	43.0	58	60	17	571	KOR38/06SOMD	315		
38	08	5	50	43.0	58	60	19	567	KOR38/08SOMD	315		
38	10	7	50	42.5	59	60	22	571	KOR38/10SOMD	315	200	
38	12	8	50	42.5	59	60	24	571	KOR38/12SOMD	315	200	

## KOR Tube end reducer – Steel and Brass

EO stand pipe adjustable / EO 24° cone end



With pre-assembled nut and progressive ring for connection.  
Final assembly (in appropriate body) at least 1/4 turn beyond the point of clearly perceptible resistance.

Series	D1	D2	D3	L1	L2	L3	S2	S3	Weight g/1 piece	Order code*	PN (bar) <sup>1)</sup>	
											CF	MS
S <sup>4)</sup>	38	14	10	52	44.0	62	60	27	575	<b>KOR38/14SOMD</b>	315	200
	38	16	12	52	43.5	62	60	30	580	<b>KOR38/16SOMD</b>	315	200
	38	20	16	54	43.5	65	60	36	593	<b>KOR38/20SOMD</b>	315	200
	38	25	20	56	44.0	68	60	46	605	<b>KOR38/25SOMD</b>	315	200
	38	30	25	58	44.5	71	60	50	614	<b>KOR38/30SOMD</b>	315	200

<sup>1)</sup> Pressure shown = item deliverable

<sup>4)</sup> S = heavy series

$$\frac{\text{PN (bar)}}{10} = \text{PN (MPa)}$$

Delivery without nut and ring. Information on ordering complete fittings see page 17.

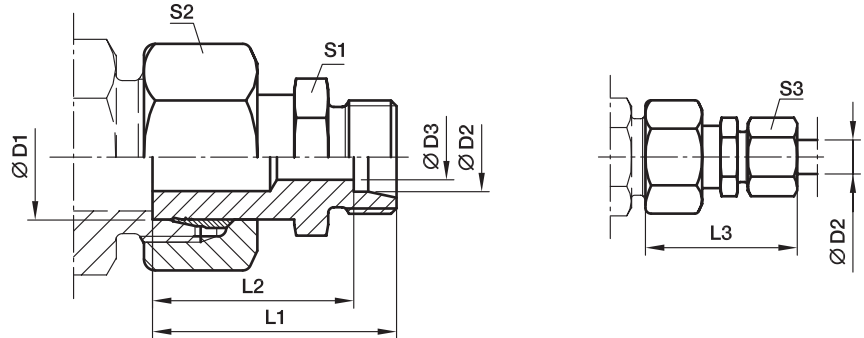
\*Please add the **suffixes** below according to the material/surface required.

Order code suffixes		
Material	Suffix surface and material	Example
Steel, zinc plated, Cr(VI)-free	CF	KOR16/10SOMDCF
Brass	MS	KOR16/10SOMDMS



## KOR Tube end reducer – Stainless steel

EO stand pipe adjustable / EO 24° cone end



With pre-assembled nut and progressive ring for connection.  
Final assembly (in appropriate body) at least 1/4 turn beyond the point of clearly perceptible resistance.

Series	D1	D2	D3	L1	L2	L3	S1	S2	S3	Weight g/1 piece	Order code	PN (bar) <sup>1)</sup>
												71
L <sup>3)</sup>	08	06	4	33.5	26.5	41	12	17	14	32	KOR08/06LOMD71	315
	10	06	4	34.5	27.5	42	12	19	14	39	KOR10/06LOMD71	315
	10	08	6	35.5	28.5	43	14	19	17	40	KOR10/08LOMD71	315
	12	06	4	36.5	29.5	44	14	22	14	49	KOR12/06LOMD71	315
	12	08	6	36.5	29.5	44	14	22	17	53	KOR12/08LOMD71	315
	12	10	8	37.5	30.5	45	17	22	19	55	KOR12/10LOMD71	315
	15	06	4	37.0	30.0	45	17	27	14	79	KOR15/06LOMD71	315
	15	08	6	37.0	30.0	45	17	27	17	78	KOR15/08LOMD71	315
	15	10	8	38.0	31.0	46	17	27	19	85	KOR15/10LOMD71	315
	15	12	10	39.0	32.0	47	19	27	22	84	KOR15/12LOMD71	315
	18	06	4	37.5	30.5	45	19	32	14	112	KOR18/06LOMD71	315
	18	08	6	37.5	30.5	45	19	32	17	113	KOR18/08LOMD71	315
	18	10	8	38.5	31.5	46	19	32	19	113	KOR18/10LOMD71	315
	18	12	10	38.5	31.5	46	19	32	22	122	KOR18/12LOMD71	315
	18	15	12	39.5	32.5	48	24	32	27	131	KOR18/15LOMD71	315
	22	06	4	38.5	31.5	46	24	36	14	154	KOR22/06LOMD71	160
	22	08	6	38.5	31.5	46	24	36	17	155	KOR22/08LOMD71	160
	22	10	8	39.5	32.5	47	24	36	19	156	KOR22/10LOMD71	160
	22	12	10	39.5	32.5	47	24	36	22	157	KOR22/12LOMD71	160
	22	15	12	40.5	33.5	49	24	36	27	160	KOR22/15LOMD71	160
	22	18	15	41.5	34.0	50	27	36	32	173	KOR22/18LOMD71	160
	28	06	4	41.0	34.0	49	30	41	14	220	KOR28/06LOMD71	160
	28	08	6	41.0	34.0	49	30	41	17	217	KOR28/08LOMD71	160
	28	10	8	42.0	35.0	50	30	41	19	211	KOR28/10LOMD71	160
	28	12	10	42.0	35.0	50	30	41	22	219	KOR28/12LOMD71	160
	28	15	12	43.0	36.0	51	30	41	27	188	KOR28/15LOMD71	160
	28	18	15	43.0	35.5	52	30	41	32	218	KOR28/18LOMD71	160
	28	22	19	45.0	37.5	54	32	41	36	228	KOR28/22LOMD71	160
	35	06	4	48.5	41.5	56	36	50	14	307	KOR35/06LOMD71	160
	35	08	6	48.5	41.5	56	36	50	17	313	KOR35/08LOMD71	160
	35	10	8	49.5	42.5	57	36	50	19	370	KOR35/10LOMD71	160
	35	12	10	49.5	42.5	57	36	50	22	371	KOR35/12LOMD71	160
	35	15	12	50.5	43.5	59	36	50	27	380	KOR35/15LOMD71	160
	35	18	15	50.5	43.0	59	36	50	32	382	KOR35/18LOMD71	160
	35	22	19	52.5	45.0	61	36	50	36	380	KOR35/22LOMD71	160
	35	28	24	52.5	45.0	62	41	50	41	400	KOR35/28LOMD71	160
42	10	8	52.5	45.5	60	46	60	19	551	KOR42/10LOMD71	160	
42	12	10	52.5	45.5	60	46	60	22	551	KOR42/12LOMD71	160	
42	15	12	53.5	46.5	62	46	60	27	687	KOR42/15LOMD71	160	
42	18	15	53.5	46.0	62	46	60	32	555	KOR42/18LOMD71	160	
42	22	19	55.5	48.0	64	46	60	36	568	KOR42/22LOMD71	160	
42	28	24	55.5	48.0	65	46	60	41	559	KOR42/28LOMD71	160	
42	35	30	57.5	47.0	69	46	60	50	588	KOR42/35LOMD71	160	

1) Pressure shown = item deliverable

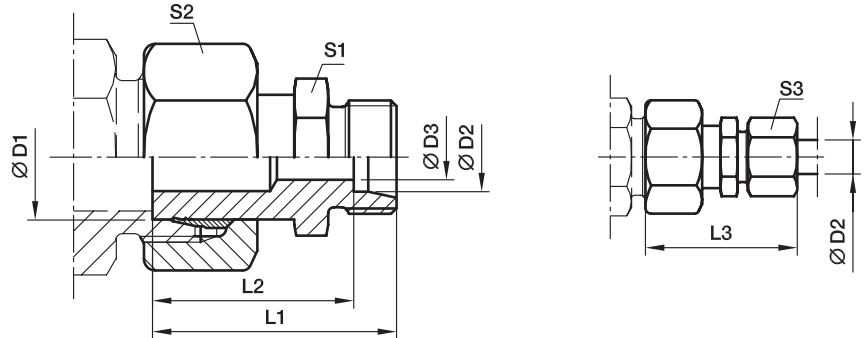
3) L = light series

$$\frac{\text{PN (bar)}}{10} = \text{PN (MPa)}$$

Delivery without nut and ring. Information on ordering complete fittings see page I7.

## KOR Tube end reducer – Stainless steel

EO stand pipe adjustable / EO 24° cone end



With pre-assembled nut and progressive ring for connection.  
Final assembly (in appropriate body) at least 1/4 turn beyond the point of clearly perceptible resistance.

Series	D1	D2	D3	L1	L2	L3	S1	S2	S3	Weight g/1 piece	Order code	PN (bar) <sup>1)</sup>
												71
S <sup>4)</sup>	08	06	4	36.5	29.5	44	14	19	17	16	KOR08/06SOMD71	630
	10	06	4	38.5	31.5	46	14	22	17	16	KOR10/06SOMD71	630
	10	08	5	38.5	31.5	46	17	22	19	14	KOR10/08SOMD71	630
	12	06	4	38.5	31.5	46	14	24	17	16	KOR12/06SOMD71	630
	12	08	5	38.5	31.5	46	17	24	19	16	KOR12/08SOMD71	630
	12	10	7	39.5	32.0	48	19	24	22	27	KOR12/10SOMD71	630
	14	06	4	40.5	33.5	48	17	27	17	32	KOR14/06SOMD71	630
	14	08	5	40.5	33.5	48	17	27	19	34	KOR14/08SOMD71	630
	14	10	7	41.5	34.0	50	19	27	22	35	KOR14/10SOMD71	630
	14	12	8	41.5	34.0	50	22	27	24	41	KOR14/12SOMD71	630
	16	06	4	41.0	34.0	49	17	30	17	44	KOR16/06SOMD71	400
	16	08	5	41.0	34.0	49	17	30	19	45	KOR16/08SOMD71	400
	16	10	7	42.0	34.5	51	19	30	22	46	KOR16/10SOMD71	400
	16	12	8	42.0	34.5	51	22	30	24	68	KOR16/12SOMD71	400
	16	14	10	44.0	36.0	54	24	30	27	69	KOR16/14SOMD71	400
	20	06	4	46.0	39.0	54	22	36	17	70	KOR20/06SOMD71	400
	20	08	5	46.0	39.0	54	22	36	19	70	KOR20/08SOMD71	400
	20	10	7	46.0	38.5	55	22	36	22	100	KOR20/10SOMD71	400
	20	12	8	46.0	38.5	55	22	36	24	101	KOR20/12SOMD71	400
	20	14	10	48.0	40.0	58	24	36	27	101	KOR20/14SOMD71	400
	20	16	12	49.0	40.5	59	27	36	30	101	KOR20/16SOMD71	400
	25	06	4	50.5	43.5	58	27	46	17	106	KOR25/06SOMD71	400
	25	08	5	50.5	43.5	58	27	46	19	136	KOR25/08SOMD71	400
	25	10	7	50.5	43.0	59	27	46	22	136	KOR25/10SOMD71	400
	25	12	8	50.5	43.0	59	27	46	24	138	KOR25/12SOMD71	400
	25	14	10	52.5	44.5	62	27	46	27	138	KOR25/14SOMD71	400
	25	16	12	52.5	44.0	62	27	46	30	143	KOR25/16SOMD71	400
	25	20	16	54.5	44.0	66	32	46	36	143	KOR25/20SOMD71	400
	30	06	4	53.0	46.0	61	32	50	17	177	KOR30/06SOMD71	400
	30	08	5	53.0	46.0	61	32	50	19	179	KOR30/08SOMD71	400
	30	10	7	53.0	45.5	62	32	50	22	180	KOR30/10SOMD71	400
	30	12	8	53.0	45.5	62	32	50	24	180	KOR30/12SOMD71	400
	30	14	10	55.0	47.0	65	32	50	27	185	KOR30/14SOMD71	400
	30	16	12	55.0	46.5	65	32	50	30	184	KOR30/16SOMD71	400
	30	20	16	57.0	46.5	68	32	50	36	188	KOR30/20SOMD71	400
	30	25	20	60.0	48.0	72	41	50	46	302	KOR30/25SOMD71	400
38	06	4	60.0	53.0	68	41	60	17	306	KOR38/06SOMD71	315	
38	08	5	60.0	53.0	68	41	60	19	305	KOR38/08SOMD71	315	
38	10	7	60.0	52.5	69	41	60	22	304	KOR38/10SOMD71	315	
38	12	8	60.0	52.5	69	41	60	24	308	KOR38/12SOMD71	315	
38	14	10	62.0	54.0	72	41	60	27	316	KOR38/14SOMD71	315	
38	16	12	62.0	53.5	72	41	60	30	310	KOR38/16SOMD71	315	
38	20	16	64.0	53.5	75	41	60	36	305	KOR38/20SOMD71	315	
38	25	20	66.0	54.0	78	41	60	46	455	KOR38/25SOMD71	315	
38	30	25	69.0	55.5	82	46	60	50	438	KOR38/30SOMD71	315	

<sup>1)</sup> Pressure shown = item deliverable

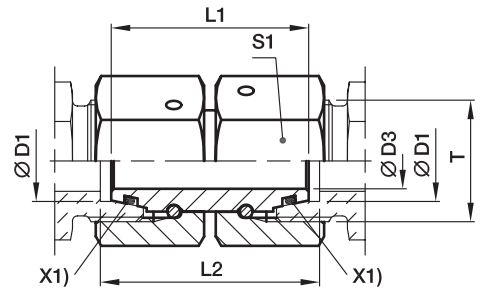
<sup>4)</sup> S = heavy series

Delivery without nut and ring. Information on ordering complete fittings see page 17.

$$\frac{\text{PN (bar)}}{10} = \text{PN (MPa)}$$

## GZ Swivel union

EO 24° DKO swivel



X1) O-ring OR

Series	D1 	T	D3	L1	L2	S1	Weight g/1 piece	Order code*	PN (bar) <sup>1)</sup>	
									CF	71
L <sup>3)</sup>	06	M 12×1.5	2.5	32	33	14	28	<b>GZ06L</b>	500	315
	08	M 14×1.5	4.0	32	33	17	41	<b>GZ08L</b>	500	315
	10	M 16×1.5	6.0	33	34	19	53	<b>GZ10L</b>	500	315
	12	M 18×1.5	8.0	33	34	22	71	<b>GZ12L</b>	400	315
	15	M 22×1.5	10.0	38	39	27	129	<b>GZ15L</b>	400	315
	18	M 26×1.5	13.0	36	38	32	165	<b>GZ18L</b>	400	315
	22	M 30×2	17.0	42	44	36	243	<b>GZ22L</b>	250	160
	28	M 36×2	22.0	46	48	41	319	<b>GZ28L</b>	250	160
	35	M 45×2	28.0	48	52	50	449	<b>GZ35L</b>	250	160
	42	M 52×2	34.0	52	57	60	737	<b>GZ42L</b>	250	160
S <sup>4)</sup>	06	M 14×1.5	2.5	32	33	17	41	<b>GZ06S</b>	800	630
	08	M 16×1.5	4.0	33	34	19	54	<b>GZ08S</b>	800	630
	10	M 18×1.5	6.0	33	35	22	74	<b>GZ10S</b>	800	630
	12	M 20×1.5	8.0	36	38	24	95	<b>GZ12S</b>	630	630
	14	M 22×1.5	9.0	39	41	27	131	<b>GZ14S</b>	630	630
	16	M 24×1.5	11.0	39	42	30	172	<b>GZ16S</b>	630	400
	20	M 30×2	14.0	44	48	36	261	<b>GZ20S</b>	420	400
	25	M 36×2	18.0	46	53	46	477	<b>GZ25S</b>	420	400
	30	M 42×2	23.0	52	62	50	605	<b>GZ30S</b>	420	400
	38	M 52×2	30.0	52	67	60	826	<b>GZ38S</b>	420	315

<sup>1)</sup> Pressure shown = item deliverable

<sup>3)</sup> L = light series; <sup>4)</sup> S = heavy series

$$\frac{\text{PN (bar)}}{10} = \text{PN (MPa)}$$

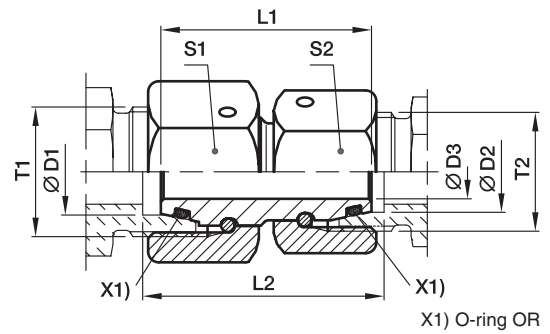
Information on ordering complete fittings or alternative sealing materials see page I7.

\*Please add the **suffixes** below according to the material/surface required.

Order code suffixes			
Material	Suffix surface and material	Example	Standard sealing material (no additional suffix needed)
Steel, zinc plated, Cr(VI)-free	CF	GZ16SCF	NBR
Stainless Steel	71	GZ16S71	VIT

## GZR Swivel reducer

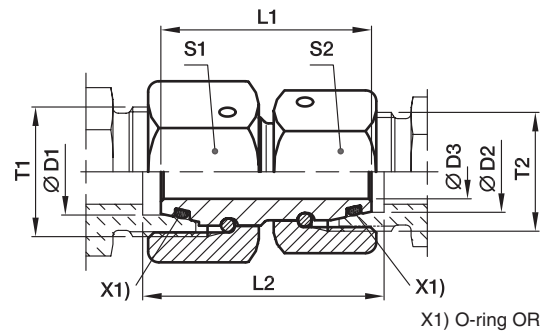
EO 24° DKO swivel



Series 3) 4)	D1 	D2 	T1	T2	D3	L1	L2	S1	S2	Weight g/1 piece	Order code*	PN (bar) <sup>1)</sup> CF
L/S	06	06	M 14×1.5	M 12×1.5	2.5	32	33.0	17	14	34	<b>GZR06L/06S</b>	500
L	08	06	M 14×1.5	M 12×1.5	2.5	32	33.0	17	14	36	<b>GZR08/06L</b>	500
L/S	08	08	M 16×1.5	M 14×1.5	4.0	33	34.0	19	17	48	<b>GZR08L/08S</b>	500
L	10	06	M 16×1.5	M 12×1.5	2.5	33	34.0	19	14	44	<b>GZR10/06L</b>	500
L	10	08	M 16×1.5	M 14×1.5	4.0	33	34.0	19	17	50	<b>GZR10/08L</b>	500
L/S	10	10	M 18×1.5	M 16×1.5	6.0	33	34.5	22	19	63	<b>GZR10L/10S</b>	500
L	12	06	M 18×1.5	M 12×1.5	2.5	33	34.0	22	14	56	<b>GZR12/06L</b>	400
L	12	08	M 18×1.5	M 14×1.5	4.0	33	34.0	22	17	62	<b>GZR12/08L</b>	400
L	12	10	M 18×1.5	M 16×1.5	6.0	33	34.0	22	19	65	<b>GZR12/10L</b>	400
L/S	12	12	M 20×1.5	M 18×1.5	8.0	36	37.5	24	22	85	<b>GZR12L/12S</b>	400
L	15	08	M 22×1.5	M 14×1.5	4.0	38	39.0	27	17	98	<b>GZR15/08L</b>	400
L	15	10	M 22×1.5	M 16×1.5	6.0	38	39.0	27	19	101	<b>GZR15/10L</b>	400
L	15	12	M 22×1.5	M 18×1.5	8.0	38	39.0	27	22	108	<b>GZR15/12L</b>	400
L	18	10	M 26×1.5	M 16×1.5	6.0	36	37.5	32	19	125	<b>GZR18/10L</b>	400
L	18	12	M 26×1.5	M 18×1.5	8.0	36	37.5	32	22	132	<b>GZR18/12L</b>	400
L	18	15	M 26×1.5	M 22×1.5	10.0	38	39.5	32	27	155	<b>GZR18/15L</b>	400
L/S	18	16	M 26×1.5	M 24×1.5	11.0	39	41.5	32	30	177	<b>GZR18L/16S</b>	400
L	22	12	M 30×2	M 18×1.5	8.0	42	43.5	36	22	195	<b>GZR22/12L</b>	250
L	22	15	M 30×2	M 22×1.5	10.0	42	43.5	36	27	215	<b>GZR22/15L</b>	250
L	22	18	M 30×2	M 26×1.5	13.0	42	44.0	36	32	228	<b>GZR22/18L</b>	250
L/S	22	20	M 30×2	M 30×2	14.0	44	47.0	36	36	266	<b>GZR22L/20S</b>	250
L	28	15	M 36×2	M 22×1.5	10.0	46	47.5	41	27	143	<b>GZR28/15L</b>	250
L	28	18	M 36×2	M 26×1.5	13.0	46	48.0	41	32	311	<b>GZR28/18L</b>	250
L	28	22	M 36×2	M 30×2	17.0	46	46.0	41	36	309	<b>GZR28/22L</b>	250
L/S	28	25	M 36×2	M 36×2	18.0	46	50.5	41	46	419	<b>GZR28L/25S</b>	250
L	35	18	M 45×2	M 26×1.5	13.0	48	51.0	50	32	430	<b>GZR35/18L</b>	250
L	35	22	M 45×2	M 30×2	17.0	48	51.0	50	36	429	<b>GZR35/22L</b>	250
L	35	28	M 45×2	M 36×2	22.0	48	51.0	50	41	415	<b>GZR35/28L</b>	250
L/S	35	30	M 45×2	M 42×2	23.0	52	59.0	50	50	577	<b>GZR35L/30S</b>	250
L	42	22	M 52×2	M 30×2	17.0	52	55.5	60	36	653	<b>GZR42/22L</b>	250
L	42	28	M 52×2	M 36×2	22.0	52	55.5	60	41	648	<b>GZR42/28L</b>	250
L	42	35	M 52×2	M 45×2	28.0	52	56.5	60	50	662	<b>GZR42/35L</b>	250
L/S	42	38	M 52×2	M 52×2	30.0	52	62.0	60	60	822	<b>GZR42L/38S</b>	250
S	08	06	M 16×1.5	M 14×1.5	2.5	33	34.0	19	17	49	<b>GZR08/06S</b>	800
S	10	06	M 18×1.5	M 14×1.5	2.5	33	34.5	22	17	60	<b>GZR10/06S</b>	800
S	10	08	M 18×1.5	M 16×1.5	4.0	33	34.5	22	19	66	<b>GZR10/08S</b>	800
S	12	06	M 20×1.5	M 14×1.5	2.5	36	37.5	24	17	77	<b>GZR12/06S</b>	630
S	12	08	M 20×1.5	M 16×1.5	4.0	36	37.5	24	19	82	<b>GZR12/08S</b>	630
S	12	10	M 20×1.5	M 18×1.5	6.0	36	38.0	24	22	89	<b>GZR12/10S</b>	630
S	16	10	M 24×1.5	M 18×1.5	6.0	39	41.5	30	22	138	<b>GZR16/10S</b>	630
S	16	12	M 24×1.5	M 20×1.5	8.0	39	41.5	30	24	143	<b>GZR16/12S</b>	630
S/L	16	15	M 24×1.5	M 22×1.5	10.0	39	41.0	30	27	153	<b>GZR16S/15L</b>	400
S	20	12	M 30×2	M 20×1.5	8.0	44	47.0	36	24	204	<b>GZR20/12S</b>	420

## GZR Swivel reducer

EO 24° DKO swivel



Series <sup>3) 4)</sup>	D1 	D2 	T1	T2	D3	L1	L2	S1	S2	Weight g/1 piece	Order code*	PN (bar) <sup>1)</sup> CF
S	20	16	M 30×2	M 24×1.5	11.0	44	47.5	36	30	232	<b>GZR20/16S</b>	420
S/L	20	18	M 30×2	M 26×1.5	13.0	44	47.0	36	32	224	<b>GZR20S/18L</b>	400
S	25	16	M 36×2	M 24×1.5	11.0	46	51.0	46	30	224	<b>GZR25/16S</b>	420
S	25	20	M 36×2	M 30×2	14.0	46	51.5	46	36	364	<b>GZR25/20S</b>	420
S/L	25	22	M 36×2	M 30×2	17.0	46	50.5	46	36	475	<b>GZR25S/22L</b>	250
S	30	16	M 42×2	M 24×1.5	11.0	52	58.5	50	30	475	<b>GZR30/16S</b>	420
S	30	20	M 42×2	M 30×2	14.0	52	59.0	50	36	500	<b>GZR30/20S</b>	420
S	30	25	M 42×2	M 36×2	18.0	52	60.5	50	46	589	<b>GZR30/25S</b>	420
S/L	30	28	M 42×2	M 36×2	22.0	52	58.0	50	41	476	<b>GZR30S/28L</b>	250
S	38	20	M 52×2	M 30×2	14.0	52	61.5	60	36	671	<b>GZR38/20S</b>	420
S	38	25	M 52×2	M 36×2	18.0	52	63.0	60	46	759	<b>GZR38/25S</b>	420
S	38	30	M 52×2	M 42×2	23.0	52	64.5	60	50	767	<b>GZR38/30S</b>	420
S/L	38	35	M 52×2	M 45×2	28.0	52	61.5	60	50	662	<b>GZR38S/35L</b>	250

<sup>1)</sup> Pressure shown = item deliverable

<sup>3)</sup> L = light series; <sup>4)</sup> S = heavy series

$$\frac{\text{PN (bar)}}{10} = \text{PN (MPa)}$$

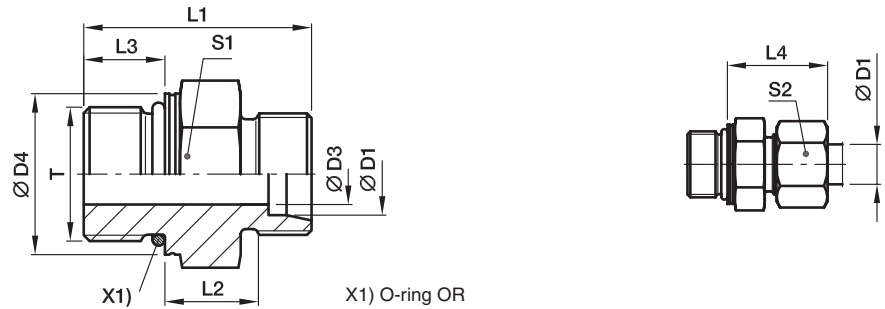
Information on ordering complete fittings or alternative sealing materials see page 17.

\*Please add the **suffixes** below according to the material/surface required.

Order code suffixes			
Material	Suffix surface and material	Example	Standard sealing material (no additional suffix needed)
Steel, zinc plated, Cr(VI)-free	CF	GZR16/12SCF	NBR

## GEO Male stud connector

Male metric thread – O-ring (ISO 6149) / EO 24° cone end



Series	D1	T	D3	D4	L1	L2	L3	L4	S1	S2	Weight g/1 piece	Order code*	PN (bar) <sup>1)</sup>	
													CF	71
LL <sup>2)</sup>	04	M 08×1	3.0	10.8	20.0	9.5	6.5	19.0	11	10	8	<b>GEO04LLMOMD</b>	100	
	04	M 10×1	3.0	12.8	20.0	9.5	6.5	19.0	13	10	11	<b>GEO04LLM10X1OMD</b>	100	
	06	M 10×1	4.5	12.8	20.0	8.0	6.5	19.5	13	12	10	<b>GEO06LLMOMD</b>	100	
L <sup>3)</sup>	06	M 10×1	4.5	14.0	24.0	8.5	8.5	23.0	14	14	15	<b>GEO06LMOMD</b>	500	315
	08	M 12×1.5	6.0	17.0	28.0	10.0	11.0	25.0	17	17	23	<b>GEO08LMOMD</b>	500	315
	10	M 14×1.5	7.5	19.0	29.0	11.0	11.0	26.0	19	19	28	<b>GEO10LMOMD</b>	500	315
	12	M 16×1.5	9.0	22.0	31.0	12.5	11.5	27.0	22	22	40	<b>GEO12LMOMD</b>	400	315
	15	M 18×1.5	11.0	24.0	33.0	13.5	12.5	29.0	24	27	56	<b>GEO15LMOMD</b>	400	315
	18	M 22×1.5	14.0	27.0	35.0	14.5	13.0	31.0	27	32	80	<b>GEO18LMOMD</b>	400	315
	22	M 27×2	18.0	32.0	40.0	16.5	16.0	33.0	32	36	104	<b>GEO22LM27X2OMD</b>	250	160
	28	M 33×2	23.0	41.0	41.0	17.5	16.0	34.0	41	41	171	<b>GEO28LMOMD</b>	250	160
	35	M 42×2	30.0	50.0	44.0	17.5	16.0	39.0	50	50	278	<b>GEO35LMOMD</b>	250	160
	42	M 48×2	36.0	55.0	47.5	19.0	17.5	42.0	55	60	340	<b>GEO42LMOMD</b>	250	160
S <sup>4)</sup>	06	M 12×1.5	4.0	17.0	31.0	13.0	11.0	28.0	17	17	29	<b>GEO06SMOMD</b>	800	630
	08	M 14×1.5	6.0	19.0	33.0	15.0	11.0	30.0	19	19	41	<b>GEO08SMOMD</b>	800	630
	10	M 16×1.5	7.0	22.0	35.0	15.0	12.5	31.0	22	22	55	<b>GEO10SMOMD</b>	800	630
	12	M 18×1.5	9.0	24.0	38.5	17.0	14.0	33.0	24	24	73	<b>GEO12SMOMD</b>	630	630
	16	M 22×1.5	12.0	27.0	42.0	18.5	15.0	37.0	27	30	102	<b>GEO16SMOMD</b>	630	400
	20	M 27×2	15.0	32.0	49.5	20.5	18.5	42.0	32	36	169	<b>GEO20SMOMD</b>	420	400
	25	M 33×2	20.0	41.0	53.5	23.0	18.5	47.0	41	46	274	<b>GEO25SMOMD</b>	420	400
	30	M 42×2	26.0	50.0	56.0	23.5	19.0	50.0	50	50	412	<b>GEO30SMOMD</b>	420	400
	38	M 48×2	32.0	55.0	63.5	26.0	21.5	57.0	55	60	580	<b>GEO38SMOMD</b>	420	315

<sup>1)</sup> Pressure shown = item deliverable

<sup>2)</sup> LL = very light series; <sup>3)</sup> L = light series; <sup>4)</sup> S = heavy series

$$\frac{\text{PN (bar)}}{10} = \text{PN (MPa)}$$

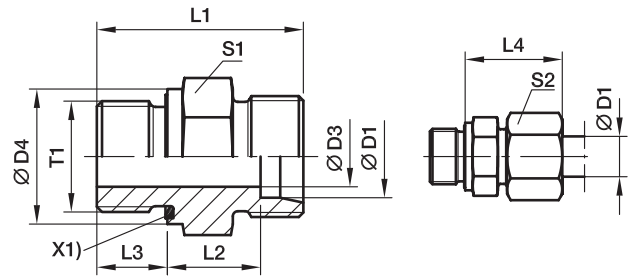
Delivery without nut and ring. Information on ordering complete fittings or alternative sealing materials see page 17.

\*Please add the **suffixes** below according to the material/surface required.

Order code suffixes			
Material	Suffix surface and material	Example	Standard sealing material (no additional suffix needed)
Steel, zinc plated, Cr(VI)-free	CF	GEO16SMOMDCF	NBR
Stainless Steel	71	GEO16SMOMD71	VIT

## GE-M-ED Male stud connector

Male metric thread – ED (ISO 9974) / EO 24° cone end



X1) Eolastic-sealing ED

Series	D1	T1	D3	D4	L1	L2	L3	L4	S1	S2	Weight g/1 piece	Order code*	PN (bar) <sup>1)</sup>	
													CF	71
L <sup>3)</sup>	06	M 10×1	4	14	23.5	8.5	8	23	14	14	13	GE06LMEDOMD	500	315
	08	M 12×1.5	6	17	29.0	10.0	12	25	17	17	22	GE08LMEDOMD	500	315
	10	M 14×1.5	7	19	30.0	11.0	12	26	19	19	29	GE10LMEDOMD	500	315
	10	M 12×1.5	6	17	30.0	11.0	12	26	17	19	23	GE10LM12X1.5EDOMD	315	315
	10	M 16×1.5	8	22	31.5	12.5	12	24	22	19	40	GE10LM16X1.5EDOMD	420	315
	10	M 18×1.5	8	24	31.5	12.5	12	27	24	19	50	GE10LM18X1.5EDOMD	400	315
	10	M 22×1.5	8	27	35.0	14.0	14	29	27	19	80	GE10LM22X1.5EDOMD	400	315
	12	M 16×1.5	9	22	31.5	12.5	12	27	22	22	40	GE12LMEDOMD	400	315
	12	M 14×1.5	7	19	30.0	11.0	12	26	19	22	30	GE12LM14X1.5EDOMD	400	315
	12	M 18×1.5	10	24	31.5	12.5	12	27	24	22	47	GE12LM18X1.5EDOMD	400	315
	12	M 22×1.5	10	27	35.0	14.0	14	29	27	22	75	GE12LM22X1.5EDOMD	400	315
	15	M 18×1.5	11	24	32.5	13.5	12	29	24	27	51	GE15LMEDOMD	400	315
	15	M 16×1.5	9	22	32.0	13.0	12	28	24	27	64	GE15LM16X1.5EDOMD	400	315
	15	M 22×1.5	12	27	36.0	15.0	14	30	27	27	77	GE15LM22X1.5EDOMD	400	315
	18	M 22×1.5	14	27	36.0	14.5	14	31	27	32	74	GE18LMEDOMD	400	315
	18	M 18×1.5	11	24	33.5	14.0	12	30	27	32	68	GE18LM18X1.5EDOMD	400	315
	22	M 26×1.5	18	32	40.0	16.5	16	33	32	36	103	GE22LMEDOMD	250	160
	22	M 22×1.5	14	32	38.0	16.5	14	33	32	36	97	GE22LM22X1.5EDOMD	250	160
28	M 33×2	23	40	43.0	17.5	18	34	41	41	168	GE28LMEDOMD	250	160	
35	M 42×2	30	50	48.0	17.5	20	39	50	50	281	GE35LMEDOMD	250	160	
42	M 48×2	36	55	52.0	19.0	22	42	55	60	356	GE42LMEDOMD	250	160	
S <sup>4)</sup>	06	M 12×1.5	4	17	32.0	13.0	12	28	17	17	30	GE06SMEDOMD	800	630
	08	M 14×1.5	5	19	34.0	15.0	12	30	19	19	42	GE08SMEDOMD	800	630
	10	M 16×1.5	7	22	34.5	15.0	12	31	22	22	54	GE10SMEDOMD	800	630
	12	M 18×1.5	8	24	36.5	17.0	12	33	24	24	71	GE12SMEDOMD	630	630
	12	M 14×1.5	5	19	36.0	16.5	12	33	22	24	60	GE12SM14X1.5EDOMD	630	630
	12	M 22×1.5	8	27	39.0	17.5	14	34	27	24	102	GE12SM22X1.5EDOMD	630	400
	14	M 20×1.5	10	26	41.0	19.0	14	37	27	27	98	GE14SMEDOMD	630	630
	16	M 22×1.5	12	27	41.0	18.5	14	37	27	30	95	GE16SMEDOMD	630	400
	16	M 18×1.5	8	24	38.5	18.0	12	36	27	30	88	GE16SM18X1.5EDOMD	630	400
	20	M 27×2	16	32	47.0	20.5	16	42	32	36	150	GE20SMEDOMD	420	400
	25	M 33×2	20	40	53.0	23.0	18	47	41	46	264	GE25SMEDOMD	420	400
	30	M 42×2	25	50	57.0	23.5	20	50	50	50	422	GE30SMEDOMD	420	400
38	M 48×2	32	55	64.0	26.0	22	57	55	60	569	GE38SMEDOMD	420	315	

<sup>1)</sup> Pressure shown = item deliverable

<sup>3)</sup> L = light series; <sup>4)</sup> S = heavy series

PN (bar)  
10 = PN (MPa)

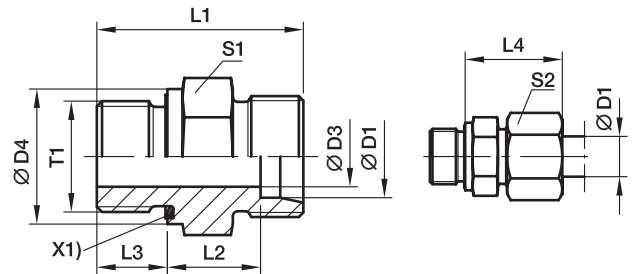
Delivery without nut and ring. Information on ordering complete fittings or alternative sealing materials see page 17.

\*Please add the **suffixes** below according to the material/surface required.

Order code suffixes			
Material	Suffix surface and material	Example	Standard sealing material (no additional suffix needed)
Steel, zinc plated, Cr(VI)-free	CF	GE16SMEDOMDCF	NBR
Stainless Steel	71	GE16SMEDOMD71	VIT

## GE-R-ED Male stud connector

Male BSPP thread – ED-seal (ISO 1179) / EO 24° cone end



X1) Eolastic-sealing ED

Series	D1	T1	D3	D4	L1	L2	L3	L4	S1	S2	Weight g/1 piece	Order code*	PN (bar) <sup>1)</sup>		
													CF	71	MS
LL <sup>2)</sup>	04	G1/8A	3	14	20.0	9.5	6.5	19	14	10	10	GE04LLREDOMD	100	100	63
	06	G1/8A	4	14	20.0	8.0	6.5	20	14	12	11	GE06LLREDOMD	100	100	63
L <sup>3)</sup>	06	G1/8A	4	14	23.5	8.5	8.0	23	14	14	13	GE06LREDOMD	500	315	200
	06	G1/4A	4	19	29.0	10.0	12.0	25	19	14	28	GE06LR1/4EDOMD	500	315	200
	06	G3/8A	4	22	30.5	11.5	12.0	26	22	14	44	GE06LR3/8EDOMD	420	315	200
	06	G1/2A	4	27	33.0	12.0	14.0	27	27	14	61	GE06LR1/2EDOMD	400	315	200
	08	G1/4A	6	19	29.0	10.0	12.0	25	19	17	27	GE08LREDOMD	500	315	200
	08	G1/8A	4	14	24.5	9.5	8.0	24	14	17	16	GE08LR1/8EDOMD	500	315	200
	08	G3/8A	6	22	30.5	11.5	12.0	26	22	17	45	GE08LR3/8EDOMD	420	315	200
	08	G1/2A	6	27	33.0	12.0	14.0	27	27	17	74	GE08LR1/2EDOMD	400	315	200
	10	G1/4A	6	19	30.0	11.0	12.0	26	19	19	29	GE10LREDOMD	500	315	200
	10	G1/8A	4	14	25.5	10.5	8.0	25	17	19	21	GE10LR1/8EDOMD	500	315	200
	10	G3/8A	8	22	31.5	12.5	12.0	27	22	19	43	GE10LR3/8EDOMD	420	315	200
	10	G1/2A	8	27	34.0	13.0	14.0	28	27	19	71	GE10LR1/2EDOMD	400	315	200
	12	G3/8A	9	22	31.5	12.5	12.0	27	22	22	41	GE12LREDOMD	420	315	200
	12	G1/8A	4	14	26.5	11.5	8.0	26	19	22	26	GE12LR1/8EDOMD	420	315	200
	12	G1/4A	6	19	31.0	12.0	12.0	27	19	22	31	GE12LR1/4EDOMD	400	315	200
	12	G1/2A	10	27	34.0	13.0	14.0	28	27	22	67	GE12LR1/2EDOMD	400	315	200
	12	G3/4A	10	32	37.0	14.0	16.0	29	32	22	118	GE12LR3/4EDOMD	250	160	100
	15	G1/2A	11	27	35.0	14.0	14.0	29	27	27	72	GE15LREDOMD	400	315	200
	15	G3/8A	9	22	32.5	13.5	12.0	29	24	27	54	GE15LR3/8EDOMD	400	315	200
	15	G3/4A	12	32	38.0	15.0	16.0	30	32	27	116	GE15LR3/4EDOMD	250	160	100
	18	G1/2A	14	27	36.0	14.5	14.0	31	27	32	71	GE18LREDOMD	400	315	200
	18	G3/8A	9	22	33.5	14.0	12.0	30	27	32	66	GE18LR3/8EDOMD	400	315	200
	18	G3/4A	15	32	38.0	14.5	16.0	31	32	32	110	GE18LR3/4EDOMD	250	160	100
	22	G3/4A	18	32	40.0	16.5	16.0	33	32	36	102	GE22LREDOMD	250	160	100
	22	G1/2A	14	27	38.0	16.5	14.0	33	32	36	91	GE22LR1/2EDOMD	250	160	100
	22	G1A	19	40	43.0	17.5	18.0	34	41	36	189	GE22LR1EDOMD	250	160	100
	28	G1A	23	40	43.0	17.5	18.0	34	41	41	170	GE28LREDOMD	250	160	100
	28	G3/4A	18	32	41.0	17.5	16.0	34	41	41	159	GE28LR3/4EDOMD	250	160	100
	28	G11/4A	24	50	46.0	18.5	20.0	35	50	41	316	GE28LR11/4EDOMD	250	160	100
	35	G11/4A	30	50	48.0	17.5	20.0	39	50	50	272	GE35LREDOMD	250	160	100
	35	G1A	23	40	46.0	17.5	18.0	39	46	50	226	GE35LR1EDOMD	250	160	100
	35	G11/2A	30	55	52.0	19.5	22.0	41	55	50	423	GE35LR11/2EDOMD	250	160	100
	42	G11/2A	36	55	52.0	19.0	22.0	42	55	60	343	GE42LREDOMD	250	160	100
	42	G1A	23	40	48.0	19.0	18.0	42	55	60	324	GE42LR1EDOMD	250	160	100
	42	G11/4A	30	50	50.0	19.0	20.0	42	55	60	348	GE42LR11/4EDOMD	250	160	100

<sup>1)</sup> Pressure shown = item deliverable

<sup>2)</sup> LL = very light series; <sup>3)</sup> L = light series

PN (bar) = PN (MPa)  
10

Delivery without nut and ring. Information on ordering complete fittings or alternative sealing materials see page I7.

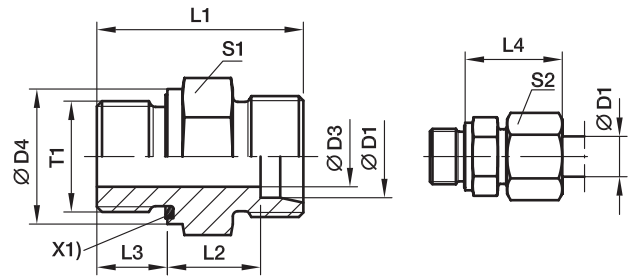
\*Please add the **suffixes** below according to the material/surface required.

Order code suffixes			
Material	Suffix surface and material	Example	Standard sealing material (no additional suffix needed)
Steel, zinc plated, Cr(VI)-free	CF	GE18LREDOMDCF	NBR
Stainless Steel	71	GE18LREDOMD71	VIT
Brass	MS	GE18LREDOMDMS	NBR



## GE-R-ED Male stud connector

Male BSPP thread – ED-seal (ISO 1179) / EO 24° cone end



X1) Eolastic-sealing ED

Series	D1	T1	D3	D4	L1	L2	L3	L4	S1	S2	Weight g/1 piece	Order code*	PN (bar) <sup>1)</sup>		
													CF	71	MS
S <sup>4)</sup>	06	G1/4A	4	19	32.0	13.0	12	28	19	17	35	<b>GE06SREDOMD</b>	800	630	400
	06	G1/8A	4	14	27.5	12.5	8	27	14	17	21	<b>GE06SR1/8EDOMD</b>	500	315	
	06	G3/8A	4	22	34.5	15.5	12	30	22	17	52	<b>GE06SR3/8EDOMD</b>	630	630	
	06	G1/2A	4	27	39.0	18.0	14	33	27	17	83	<b>GE06SR1/2EDOMD</b>	630	400	
	08	G1/4A	5	19	34.0	15.0	12	30	19	19	41	<b>GE08SREDOMD</b>	800	630	400
	08	G3/8A	5	22	34.5	15.5	12	30	22	19	57	<b>GE08SR3/8EDOMD</b>	800	630	
	08	G1/2A	5	27	39.0	18.0	14	33	27	19	89	<b>GE08SR1/2EDOMD</b>	630	400	
	10	G3/8A	7	22	34.5	15.0	12	31	22	22	55	<b>GE10SREDOMD</b>	800	630	400
	10	G1/4A	5	19	34.0	14.5	12	31	19	22	42	<b>GE10SR1/4EDOMD</b>	800	630	
	10	G1/2A	7	27	39.0	17.5	14	34	27	22	97	<b>GE10SR1/2EDOMD</b>	630	630	
	12	G3/8A	8	22	36.5	17.0	12	33	22	24	62	<b>GE12SREDOMD</b>	630	630	400
	12	G1/4A	5	19	36.0	16.5	12	33	22	24	61	<b>GE12SR1/4EDOMD</b>	630	630	
12	G1/2A	8	27	39.0	17.5	14	34	27	24	99	<b>GE12SR1/2EDOMD</b>	630	630		
14	G1/2A	10	27	41.0	19.0	14	37	27	27	96	<b>GE14SREDOMD</b>	630	630	400	
14	G3/8A	8	22	38.5	18.5	12	36	24	27	74	<b>GE14SR3/8EDOMD</b>	630	630		
14	G3/4A	10	32	45.0	21.0	16	39	32	27	138	<b>GE14SR3/4EDOMD</b>	420	400		
16	G1/2A	12	27	41.0	18.5	14	37	27	30	91	<b>GE16SREDOMD</b>	630	400	250	
16	G3/8A	8	22	38.5	18.0	12	36	27	30	83	<b>GE16SR3/8EDOMD</b>	630	400		
16	G3/4A	12	32	45.0	20.5	16	39	32	30	152	<b>GE16SR3/4EDOMD</b>	420	400		
20	G3/4A	16	32	47.0	20.5	16	42	32	36	149	<b>GE20SREDOMD</b>	420	400	250	
20	G1/2A	12	27	45.0	20.5	14	42	32	36	142	<b>GE20SR1/2EDOMD</b>	420	400		
20	G1A	16	40	51.0	22.5	18	44	41	36	265	<b>GE20SR1EDOMD</b>	420	400		
20	G11/4A	16	50	53.0	22.5	20	44	50	36	404	<b>GE20SR11/4EDOMD</b>	420	400		
25	G1A	20	40	53.0	23.0	18	47	41	46	266	<b>GE25SREDOMD</b>	420	400	250	
25	G1/2A	12	27	49.0	23.0	14	47	41	46	228	<b>GE25SR1/2EDOMD</b>	420	400		
25	G3/4A	16	32	51.0	23.0	16	47	41	46	255	<b>GE25SR3/4EDOMD</b>	420	400		
25	G11/4A	20	50	55.0	23.0	20	47	50	46	411	<b>GE25SR11/4EDOMD</b>	420	400		
25	G11/2A	20	55	60.0	26.0	22	50	55	46	549	<b>GE25SR11/2EDOMD</b>	315	315		
30	G11/4A	25	50	57.0	23.5	20	50	50	50	418	<b>GE30SREDOMD</b>	420	400	250	
30	G1A	20	40	55.0	23.5	18	50	46	50	344	<b>GE30SR1EDOMD</b>	420	400		
30	G11/2A	25	55	62.0	26.5	22	53	55	50	530	<b>GE30SR11/2EDOMD</b>	315	315		
38	G11/2A	32	55	64.0	26.0	22	57	55	60	563	<b>GE38SREDOMD</b>	420	315	200	
38	G11/4A	25	50	62.0	26.0	20	57	55	60	575	<b>GE38SR11/4EDOMD</b>	420	315		

<sup>1)</sup> Pressure shown = item deliverable

<sup>4)</sup> S = heavy series

$\frac{PN \text{ (bar)}}{10} = PN \text{ (MPa)}$

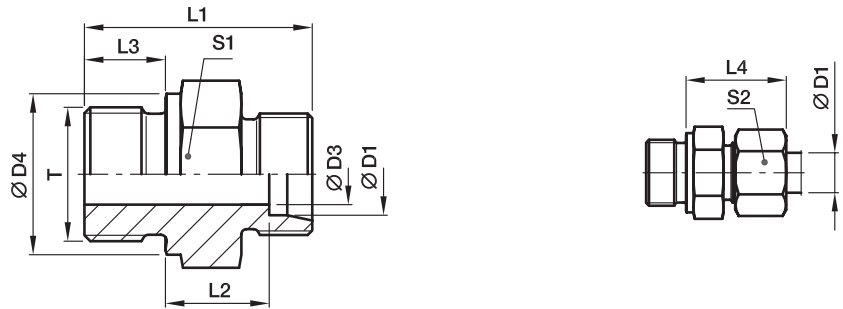
Delivery without nut and ring. Information on ordering complete fittings or alternative sealing materials see page 17.

\*Please add the **suffixes** below according to the material/surface required

Order code suffixes			
Material	Suffix surface and material	Example	Standard sealing material (no additional suffix needed)
Steel, zinc plated, Cr(VI)-free	CF	GE16SREDOMDCF	NBR
Stainless Steel	71	GE16SREDOMD71	VIT
Brass	MS	GE16SREDOMDMS	NBR

## GE-R Male stud connector

Male BSPP thread – metal sealing edge (ISO 1179) / EO 24° cone end



Series	D1	T	D3	D4	L1	L2	L3	L4	S1	S2	Weight g/1 piece	Order code*	PN (bar) <sup>1)</sup>		
													CF	71	MS
L <sup>3)</sup>	06	G1/8A	4	14	23.5	8.5	8	23.0	14	14	14	GE06LR	315	315	200
	06	G1/4A	4	18	29.0	10.0	12	25.0	19	14	60	GE06LR1/4	315	315	200
	06	G3/8A	4	22	30.5	11.5	12	26.0	22	14	45	GE06LR3/8	315	315	200
	06	G1/2A	4	26	33.0	12.0	14	27.0	27	14	60	GE06LR1/2	315	315	
	08	G1/4A	6	18	29.0	10.0	12	25.0	19	17	26	GE08LR	315	315	200
	08	G1/8A	4	14	24.5	8.5	8	23.0	14	17	16	GE08LR1/8	315	315	
	08	G3/8A	6	22	30.5	11.5	12	26.0	22	17	44	GE08LR3/8	315	315	200
	08	G1/2A	6	26	33.0	12.0	14	27.0	27	17	74	GE08LR1/2	315	315	200
	10	G1/4A	6	18	30.0	11.0	12	26.0	19	19	31	GE10LR	315	315	200
	10	G1/8A	4	14	25.5	10.5	8	25.0	17	19	21	GE10LR1/8	315	315	
	10	G3/8A	8	22	31.5	12.5	12	27.0	22	19	44	GE10LR3/8	315	315	200
	10	G1/2A	8	26	34.0	13.0	14	28.0	27	19	72	GE10LR1/2	315	315	200
	12	G3/8A	9	22	31.5	12.5	12	27.0	22	22	43	GE12LR	315	315	200
	12	G1/8A	4	14	26.5	11.5	8	26.0	19	22	27	GE12LR1/8	315	315	
	12	G1/4A	6	18	31.0	12.0	12	27.0	19	22	32	GE12LR1/4	315	315	200
	12	G1/2A	10	26	34.0	13.0	14	28.0	27	22	67	GE12LR1/2	315	315	200
	12	G3/4A	10	32	37.0	14.0	16	29.0	32	22	120	GE12LR3/4	315	315	
	15	G1/2A	11	26	35.0	14.0	14	29.0	27	27	72	GE15LR	250	250	160
	15	G3/8A	9	22	32.5	13.5	12	29.0	24	27	56	GE15LR3/8	250	250	160
	15	G3/4A	12	32	38.0	15.0	16	30.0	32	27	118	GE15LR3/4	250	250	
	18	G1/2A	14	26	36.0	14.5	14	31.0	27	32	72	GE18LR	250	250	160
	18	G3/8A	9	22	33.5	14.0	12	29.5	27	32	69	GE18LR3/8	250	250	
	18	G3/4A	15	32	38.0	14.5	16	30.0	32	32	112	GE18LR3/4	250	250	
	22	G3/4A	18	32	40.0	16.5	16	33.0	32	36	103	GE22LR	160	160	100
	22	G1/2A	14	26	38.0	16.5	14	33.0	32	36	91	GE22LR1/2	160	160	100
	22	G1A	19	39	43.0	17.5	18	33.5	41	36	184	GE22LR1	160	160	
	28	G1A	23	39	43.0	17.5	18	34.0	41	41	168	GE28LR	160	160	100
	28	G1/2A	14	26	39.0	17.5	14	34.0	41	41	141	GE28LR1/2	160	160	
	28	G3/4A	18	32	41.0	17.5	16	34.0	41	41	156	GE28LR3/4	160	160	
	28	G11/4A	24	50	46.0	18.3	20	35.0	50	41	314	GE28LR11/4	160	160	
	35	G11/4A	30	49	48.0	17.5	20	39.0	50	50	276	GE35LR	160	160	100
	35	G1/2A	14	26	42.0	17.5	14	39.0	46	50	194	GE35LR1/2	160	160	
	35	G3/4A	18	32	44.0	17.5	16	39.0	46	50	202	GE35LR3/4	160	160	
	35	G1A	23	39	46.0	17.5	18	39.0	46	50	234	GE35LR1	160	160	
	35	G11/2A	30	55	52.0	19.5	22	41.0	55	50	355	GE35LR11/2	160	160	
	42	G11/2A	36	55	52.0	19.0	22	42.0	55	60	349	GE42LR	160	160	100
	42	G1A	23	39	48.0	19.0	18	42.0	55	60	327	GE42LR1	160	160	
	42	G11/4A	30	49	50.0	19.0	20	42.0	55	60	336	GE42LR11/4	160	160	

1) Pressure shown = item deliverable

3) L = light series

$$\frac{PN \text{ (bar)}}{10} = PN \text{ (MPa)}$$

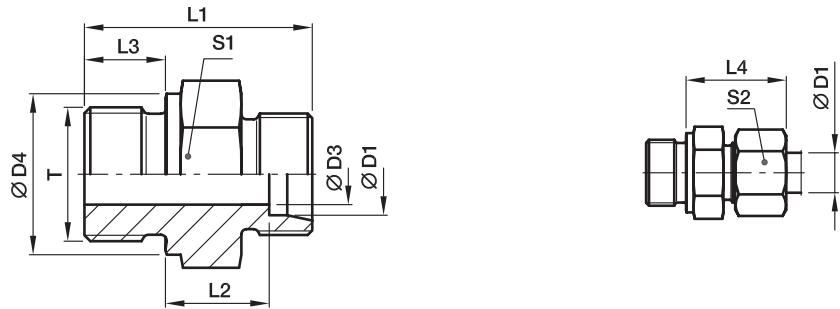
Delivery without nut and ring. Information on ordering complete fittings see page 17.

\*Please add the **suffixes** below according to the material/surface required.

Order code suffixes		
Material	Suffix surface and material	Example
Steel, zinc plated, Cr(VI)-free	CFX	GE18LR CFX
Stainless Steel	71X	GE18LR 71X
Brass	MSX	GE18LR MSX

## GE-R Male stud connector

Male BSPP thread – metal sealing edge (ISO 1179) / EO 24° cone end



Series	D1	T	D3	D4	L1	L2	L3	L4	S1	S2	Weight g/1 piece	Order code*	PN (bar) <sup>1)</sup>		
													CF	71	MS
S <sup>4)</sup>	06	G1/4A	4	18	32.0	13.0	12	28	19	17	35	<b>GE06SR</b>	400	400	250
	06	G1/8A	3	14	27.5	12.5	8	27	14	17	22	<b>GE06SR1/8</b>	400	400	
	06	G3/8A	4	22	34.5	15.5	12	30	22	17	57	<b>GE06SR3/8</b>	400	400	
	06	G1/2A	4	26	39.0	18.0	14	33	27	17	83	<b>GE06SR1/2</b>	400	400	
	08	G1/4A	5	18	34.0	15.0	12	30	19	19	41	<b>GE08SR</b>	400	400	250
	08	G3/8A	5	22	34.5	15.5	12	30	22	19	59	<b>GE08SR3/8</b>	400	400	
	08	G1/2A	5	26	39.0	18.0	14	33	27	19	100	<b>GE08SR1/2</b>	400	400	
	10	G3/8A	7	22	34.5	15.0	12	31	22	22	56	<b>GE10SR</b>	400	400	250
	10	G1/4A	5	18	34.0	14.5	12	31	19	22	43	<b>GE10SR1/4</b>	400	400	
	10	G1/2A	7	26	39.0	17.5	14	34	27	22	97	<b>GE10SR1/2</b>	400	400	
	12	G3/8A	8	22	36.5	17.0	12	33	22	24	62	<b>GE12SR</b>	400	400	250
	12	G1/4A	5	18	36.0	16.5	12	33	22	24	57	<b>GE12SR1/4</b>	400	400	
	12	G1/2A	8	26	39.0	17.5	14	34	27	24	57	<b>GE12SR1/2</b>	400	400	
	14	G1/2A	10	26	41.0	19.0	14	37	27	27	96	<b>GE14SR</b>	400	400	250
	14	G3/8A	8	22	38.5	18.5	12	36	24	27	74	<b>GE14SR3/8</b>	400	400	
	16	G1/2A	12	26	41.0	18.5	14	37	27	30	92	<b>GE16SR</b>	400	400	250
	16	G3/8A	8	22	38.5	18.0	12	36	27	30	83	<b>GE16SR3/8</b>	400	400	
	16	G3/4A	12	32	45.0	20.5	16	39	32	30	157	<b>GE16SR3/4</b>	400	400	
	20	G3/4A	16	32	47.0	20.5	16	42	32	36	151	<b>GE20SR</b>	400	400	250
	20	G1/2A	12	26	45.0	20.5	14	42	32	36	142	<b>GE20SR1/2</b>	400	400	
	20	G1A	16	39	51.0	22.5	18	44	41	36	273	<b>GE20SR1</b>	250	250	
	20	G11/4A	16	49	53.0	22.5	20	44	50	36	387	<b>GE20SR11/4</b>	160	160	
	25	G1A	20	39	53.0	23.0	18	47	41	46	267	<b>GE25SR</b>	250	250	160
	25	G3/4A	16	32	51.0	23.0	16	47	41	46	245	<b>GE25SR3/4</b>	250	250	
25	G11/4A	20	49	55.0	23.0	20	47	50	46	422	<b>GE25SR11/4</b>	160	160		
30	G11/4A	25	49	57.0	23.5	20	50	50	50	422	<b>GE30SR</b>	160	160	100	
30	G1A	20	39	55.0	23.5	18	50	46	50	337	<b>GE30SR1</b>	160	160		
38	G11/2A	32	55	64.0	26.0	22	57	55	60	560	<b>GE38SR</b>	160	160	100	
38	G11/4A	25	49	62.0	26.0	20	57	55	60	578	<b>GE38SR11/4</b>	160	160		

<sup>1)</sup> Pressure shown = item deliverable

<sup>4)</sup> S = heavy series

$$\frac{\text{PN (bar)}}{10} = \text{PN (MPa)}$$

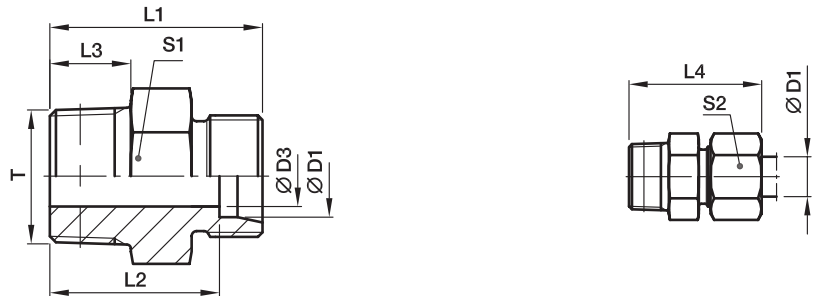
Delivery without nut and ring. Information on ordering complete fittings see page 17.

\*Please add the **suffixes** below according to the material/surface required.

Order code suffixes		
Material	Suffix surface and material	Example
Steel, zinc plated, Cr(VI)-free	CF	GE16SRCFX
Stainless Steel	71	GE16SR71X
Brass	MS	GE16SRMSX

## GE-R(KEG) Male stud connector

Male short BSP taper thread (DIN 3852-2, type C) / EO 24° cone end



Series	D1	T	D3	L1	L2	L3	L4	S1	S2	Weight g/1 piece	Order code*	PN (bar) <sup>1)</sup>		
												CF	71	MS
LL <sup>2)</sup>	04	R1/8tap.	3.0	20	16.0	8	26	11	10	8	GE04LLR	100	100	63
	06	R1/8tap.	4.5	20	14.5	8	26	11	12	8	GE06LLR	100	100	63
	08	R1/8tap.	6.0	22	16.5	8	28	12	14	10	GE08LLR	100	100	63
	08	R1/4tap.	6.0	26	20.5	12	32	14	14	18	GE08LLR1/4	100	100	63
	10	R1/4tap.	8.0	26	20.5	12	32	14	17	15	GE10LLR	100		63
	12	R1/4tap.	8.0	26	20.0	12	32	17	19	18	GE12LLR	100		63
	12	R3/8tap.	10.0	26	20.0	12	32	17	19	23	GE12LLR3/8	100		63
L <sup>3)</sup>	06	R1/8tap.	4.0	22	15.0	8	30	12	14	11	GE06LR1/8KEG	315	315	
	06	R1/4tap.	4.0	27	20.0	12	35	17	14	24	GE06LR1/4KEG	315	315	200
	08	R1/8tap.	4.0	23	16.0	8	31	17	17	15	GE08LR1/8KEG	315	315	200
	08	R1/4tap.	6.0	27	20.0	12	35	17	17	22	GE08LR1/4KEG	315	315	
	10	R1/4tap.	7.0	28	21.0	12	36	17	19	24	GE10LR1/4KEG	315	315	
	12	R1/4tap.	7.0	29	22.0	12	37	19	22	53	GE12LR1/4KEG	315	315	200
	12	R3/8tap.	9.0	29	22.0	12	37	19	22	33	GE12LR3/8KEG	315	315	
	12	R1/2tap.	10.0	31	24.0	14	39	24	22	53	GE12LR1/2KEG	315	315	200
	15	R3/8tap.	9.0	30	23.0	12	38	24	27	49	GE15LR3/8KEG	315	315	200
	15	R1/2tap.	11.0	32	25.0	14	40	24	27	59	GE15LR1/2KEG	315	315	
	18	R1/2tap.	14.0	33	25.5	14	42	27	32	64	GE18LR1/2KEG	315	315	
	22	R3/4tap.	17.0	37	29.5	16	46	32	36	99	GE22LR3/4KEG	160	160	
	28	R1tap.	23.0	40	32.5	18	49	41	41	154	GE28LR1KEG	160	160	
	35	R1 1/4tap.	30.0	45	34.5	20	56	46	50	238	GE35LR11/4KEG	160	160	
42	R1 1/2tap.	36.0	49	38.0	22	61	55	60	335	GE42LR11/2KEG	160	160		

<sup>1)</sup> Pressure shown = item deliverable

<sup>2)</sup> LL = very light series; <sup>3)</sup> L = light series

$$\frac{\text{PN (bar)}}{10} = \text{PN (MPa)}$$

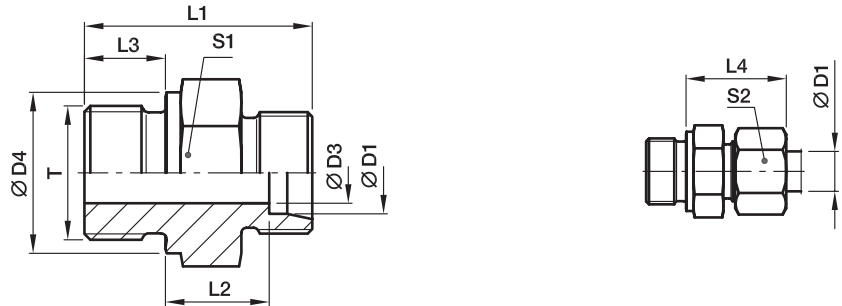
Delivery without nut and ring. Information on ordering complete fittings see page I7.

\*Please add the **suffixes** below according to the material/surface required.

Order code suffixes		
Material	Suffix surface and material	Example
Steel, zinc plated, Cr(VI)-free	CF	GE06LR1/4KEGCFX
Stainless Steel	71	GE06LR1/4KEG71X
Brass	MS	GE06LR1/4KEGMSX

## GE-M Male stud connector

Male metric thread – metal sealing edge (ISO 9974) / EO 24° cone end



Series	D1	T	D3	D4	L1	L2	L3	L4	S1	S2	Weight g/1 piece	Order code*	PN (bar) <sup>1)</sup>		
													CF	71	MS
L <sup>3)</sup>	06	M10×1	4	14	23.5	8.5	8	23	14	14	13	<b>GE06LM</b>	315	315	200
	08	M12×1.5	6	17	29.0	10.0	12	25	17	17	22	<b>GE08LM</b>	315	315	200
	10	M14×1.5	7	19	30.0	11.0	12	26	19	19	31	<b>GE10LM</b>	315	315	200
	10	M10×1	4	14	25.5	10.5	8	25	17	19	20	<b>GE10LM10X1</b>	315	315	
	10	M12×1.5	6	17	30.0	11.0	12	26	17	19	25	<b>GE10LM12X1.5</b>	315	315	
	10	M16×1.5	8	21	31.5	12.0	12	27	22	19	41	<b>GE10LM16X1.5</b>	315	315	
	10	M18×1.5	8	23	31.5	12.5	12	27	24	19	50	<b>GE10LM18X1.5</b>	315	315	
	10	M22×1.5	8	27	35.0	14.0	14	29	27	19	72	<b>GE10LM22X1.5</b>	315	315	
	12	M14×1.5	7	19	30.0	11.0	12	26	19	22	30	<b>GE12LM14X1.5</b>	315	315	
	12	M16×1.5	9	21	31.5	12.5	12	27	22	22	40	<b>GE12LM</b>	315	315	
	12	M18×1.5	10	23	31.5	12.5	12	27	24	22	47	<b>GE12LM18X1.5</b>	315	315	
	12	M22×1.5	10	27	35.0	14.0	14	29	27	22	76	<b>GE12LM22X1.5</b>	315	315	
	15	M16×1.5	9	21	32.0	13.0	12	28	24	27	50	<b>GE15LM16X1.5</b>	250	250	
	15	M18×1.5	11	23	32.5	13.5	12	29	24	27	52	<b>GE15LM</b>	250	250	160
	15	M22×1.5	12	27	36.0	15.0	14	30	27	27	77	<b>GE15LM22X1.5</b>	250	250	
	18	M18×1.5	11	23	33.5	14.0	12	30	27	32	68	<b>GE18LM18X1.5</b>	250	250	
	18	M22×1.5	14	27	36.0	14.5	14	31	27	32	77	<b>GE18LM</b>	250	250	160
	22	M22×1.5	14	27	38.0	16.5	14	33	32	36	92	<b>GE22LM22X1.5</b>	160	160	
	22	M26×1.5	18	31	40.0	16.5	16	33	32	36	102	<b>GE22LM</b>	160	160	100
	28	M33×2	23	39	43.0	17.5	18	34	41	41	168	<b>GE28LM</b>	160	160	100
35	M42×2	30	49	48.0	17.5	20	39	50	50	280	<b>GE35LM</b>	160	160	100	
42	M48×2	36	55	52.0	19.0	22	42	55	60	354	<b>GE42LM</b>	160	160	100	
S <sup>4)</sup>	06	M12×1.5	4	17	32.0	13.0	12	28	17	17	30	<b>GE06SM</b>	400	400	250
	06	M14×1.5	4	19	34.0	15.0	12	30	19	17	42	<b>GE06SM14X1.5</b>	400	400	
	08	M14×1.5	5	19	34.0	15.0	12	30	19	19	43	<b>GE08SM</b>	400	400	250
	10	M16×1.5	7	21	34.5	15.0	12	31	22	22	54	<b>GE10SM</b>	400	400	250
	12	M18×1.5	8	23	36.5	17.0	12	33	24	24	72	<b>GE12SM</b>	400	400	250
	12	M14×1.5	5	19	36.0	16.5	12	33	22	24	60	<b>GE12SM14X1.5</b>	400	400	
	12	M22×1.5	8	27	39.0	17.5	14	34	27	24	103	<b>GE12SM22X1.5</b>	400	400	
	14	M20×1.5	10	25	41.0	19.0	14	37	27	27	95	<b>GE14SM</b>	400	400	250
	16	M18×1.5	8	23	38.5	18.0	12	36	27	30	88	<b>GE16SM18X1.5</b>	400	400	
	16	M22×1.5	12	27	41.0	18.5	14	37	27	30	97	<b>GE16SM</b>	400	400	250
	20	M27×2	16	32	47.0	20.5	16	42	32	36	155	<b>GE20SM</b>	400	400	250
	25	M33×2	20	39	53.0	23.0	18	47	41	46	268	<b>GE25SM</b>	250	250	160
	30	M42×2	25	49	57.0	23.5	20	50	50	50	421	<b>GE30SM</b>	160	160	100
	38	M48×2	32	55	64.0	26.0	22	57	55	60	568	<b>GE38SM</b>	160	160	100

<sup>1)</sup> Pressure shown = item deliverable

<sup>3)</sup> L = light series; <sup>4)</sup> S = heavy series

PN (bar)  
10 = PN (MPa)

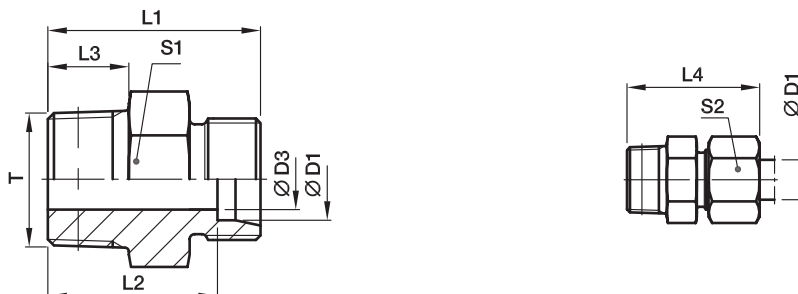
Delivery without nut and ring. Information on ordering complete fittings see page 17.

\*Please add the **suffixes** below according to the material/surface required.

Order code suffixes		
Material	Suffix surface and material	Example
Steel, zinc plated, Cr(VI)-free	CFX	GE16SMCFX
Stainless Steel	71X	GE16SM71X
Brass	MSX	GE16SMMSX

## GE-M(KEG) Male stud connector

Male short metric taper thread (DIN 3852-1, type C) / EO 24° cone end



Series	D1	T	D3	L1	L2	L3	L4	S1	S2	Weight g/1 piece	Order code*	PN (bar) <sup>1)</sup>		
												CF	71	MS
LL <sup>2)</sup>	04	M6×1tap.	2.0	20	16.0	8	26	9	10	5	<b>GE04LLM6X1KEG</b>	100		
	04	M8×1tap.	3.0	20	16.0	8	26	10	10	7	<b>GE04LLM</b>	100	100	63
	06	M10×1tap.	4.5	20	14.5	8	26	11	12	9	<b>GE06LLM</b>	100	100	63
	06	M8×1tap.	3.5	20	14.5	8	26	11	12	9	<b>GE06LLM8X1KEG</b>	100		
	08	M10×1tap.	6.0	22	16.5	8	28	12	14	10	<b>GE08LLM</b>	100	100	63

<sup>1)</sup> Pressure shown = item deliverable

<sup>2)</sup> LL = very light series

$$\frac{\text{PN (bar)}}{10} = \text{PN (MPa)}$$

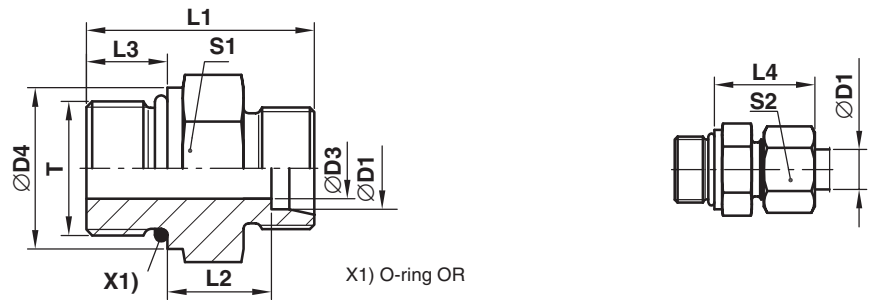
Delivery without nut and ring. Information on ordering complete fittings see page 17.

\*Please add the **suffixes** below according to the material/surface required.

Order code suffixes		
Material	Suffix surface and material	Example
Steel, zinc plated, Cr(VI)-free	CF	GE06LLMCFX
Stainless Steel	71	GE06LLM71X
Brass	MS	GE06LLMMSX

## GE-UNF/UN Male stud connector

Male UNF/UN thread – O-ring (ISO 11926) / EO 24° cone end



Series	D1	T	D3	D4	L1	L2	L3	L4	S1	S2	Weight g/1 piece	Order code*	PN (bar) <sup>1)</sup>	
													CF	71
L <sup>3)</sup>	08	7/16-20UNF-2A	5.0	–	26	10.0	9.0	25	17	17	21	<b>GE08L7/16UNFOMD</b>	315	315
	10	7/16-20UNF-2A	5.0	–	27	11.0	9.0	26	17	19	23	<b>GE10L7/16UNFOMD</b>	315	315
	12	9/16-18UNF-2A	7.0	–	28	11.0	10.0	26	19	22	32	<b>GE12L9/16UNFOMD</b>	315	315
	12	3/4-16UNF-2A	10.0	–	31	13.0	11.0	28	24	22	52	<b>GE12L3/4UNFOMD</b>	315	315
	12	7/8-14UNF-2A	10.0	–	34	14.3	12.7	29	27	22	77	<b>GE12L7/8UNFOMD</b>	315	315
	15	3/4-16UNF-2A	11.0	–	32	14.0	11.0	29	24	27	57	<b>GE15L3/4UNFOMD</b>	315	315
	15	7/8-14UNF-2A	12.0	–	35	15.3	12.7	30	27	27	81	<b>GE15L7/8UNFOMD</b>	315	315
	18	3/4-16UNF-2A	11.0	23.9	33	14.5	11.0	31	27	32	68	<b>GE18L3/4UNFOMD</b>	315	315
	18	7/8-14UNF-2A	14.0	–	35	14.8	12.7	31	27	32	72	<b>GE18L7/8UNFOMD</b>	315	315
	22	7/8-14UNF-2A	14.0	26.9	37	16.8	12.7	33	32	36	94	<b>GE22L7/8UNFOMD</b>	160	160
	22	11/16-12UN-2A	18.0	–	39	16.5	15.0	33	32	36	103	<b>GE22L11/16UNOMD</b>	160	160
	22	15/16-12UN-2A	19.0	–	40	17.5	15.0	34	41	36	163	<b>GE22L15/16UNOMD</b>	160	160
	28	11/16-12UN-2A	18.0	33.3	40	17.5	15.0	34	41	41	152	<b>GE28L11/16UNOMD</b>	160	160
	28	15/16-12UN-2A	23.0	–	40	17.5	15.0	34	41	41	163	<b>GE28L15/16UNOMD</b>	160	160
35	15/16-12UN-2A	23.0	39.6	43	17.5	15.0	39	46	50	222	<b>GE35L15/16UNOMD</b>	160	160	
35	15/8-12UN-2A	29.0	–	43	17.5	15.0	39	50	50	257	<b>GE35L15/8UNOMD</b>	160	160	
42	15/8-12UN-2A	29.0	47.7	45	19.0	15.0	42	55	60	339	<b>GE42L15/8UNOMD</b>	160	160	
S <sup>4)</sup>	08	7/16-20UNF-2A	4.0	–	31	13.0	11.0	30	17	19	33	<b>GE08S7/16UNFOMD</b>	630	630
	10	9/16-18UNF-2A	6.0	–	32	12.5	12.0	31	19	22	42	<b>GE10S9/16UNFOMD</b>	630	630
	12	9/16-18UNF-2A	6.0	19.0	32	12.5	12.0	31	22	24	50	<b>GE12S9/16UNFOMD</b>	630	630
	12	3/4-16UNF-2A	8.0	–	36	14.5	14.0	34	24	24	73	<b>GE12S3/4UNFOMD</b>	630	630
	16	3/4-16UNF-2A	10.0	–	35	12.5	14.0	34	24	30	90	<b>GE16S3/4UNFOMD</b>	400	400
	16	7/8-14UNF-2A	12.0	–	40	15.5	16.0	37	27	30	95	<b>GE16S7/8UNFOMD</b>	400	400
	20	3/4-16UNF-2A	10.0	23.9	42	17.5	14.0	42	32	36	132	<b>GE20S3/4UNFOMD</b>	400	400
	20	7/8-14UNF-2A	12.0	26.9	44	17.5	16.0	42	32	36	141	<b>GE20S7/8UNFOMD</b>	400	400
	20	11/16-12UN-2A	16.0	–	46	17.0	18.5	42	32	36	163	<b>GE20S11/16UNOMD</b>	400	400
	25	11/16-12UN-2A	16.0	33.3	50	19.5	18.5	47	36	46	206	<b>GE25S11/16UNOMD</b>	400	400
	25	15/16-12UN-2A	20.0	–	50	19.5	18.5	47	41	46	258	<b>GE25S15/16UNOMD</b>	400	400
	30	15/16-12UN-2A	20.0	39.6	52	20.0	18.5	50	46	50	327	<b>GE30S15/16UNOMD</b>	400	400
	30	15/8-12UN-2A	24.0	–	52	20.0	18.5	50	50	50	422	<b>GE30S15/8UNOMD</b>	400	400
	38	15/8-12UN-2A	24.0	47.7	57	22.5	18.5	57	55	60	554	<b>GE38S15/8UNOMD</b>	315	315

<sup>1)</sup> Pressure shown = item deliverable

<sup>3)</sup> L = light series; <sup>4)</sup> S = heavy series

$\frac{\text{PN (bar)}}{10} = \text{PN (MPa)}$

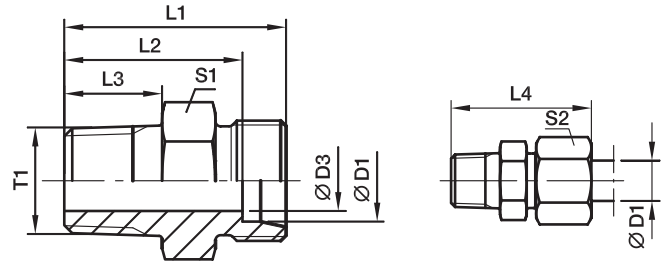
Delivery without nut and ring. Information on ordering complete fittings or alternative sealing materials see page I7.

\*Please add the **suffixes** below according to the material/surface required.

Order code suffixes			
Material	Suffix surface and material	Example	Standard sealing material (no additional suffix needed)
Steel, zinc plated, Cr(VI)-free	CF	GE16S3/4UNFOMDCF	NBR
Stainless Steel	71	GE16S3/4UNFOMD71	VIT

## GE-NPT Male stud connector

Male NPT thread (SAE J476) / EO 24° cone end



Series	D1	T1	D3	L1	L2	L3	L4	S1	S2	Weight g/1 piece	Order code*	PN (bar) <sup>1)</sup>		
												CF	71	MS
LL <sup>2)</sup>	04	1/8-27 NPT	3.0	22.0	18.0	10.0	28	11	10	9	GE04LL1/8NPT	100	100	
	06	1/8-27 NPT	4.5	22.0	16.5	10.0	28	11	12	9	GE06LL1/8NPT	100	100	63
	08	1/8-27 NPT	5.0	24.0	18.5	10.0	30	12	14	11	GE08LL1/8NPT	100	100	63
L <sup>3)</sup>	06	1/8-27 NPT	4.0	24.0	17.0	10.0	32	12	14	12	GE06L1/8NPT	315	315	200
	06	1/4-18 NPT	4.0	30.0	23.0	14.5	38	17	14	27	GE06L1/4NPT	315	315	200
	06	3/8-18 NPT	4.0	30.0	23.0	14.5	38	19	14	32	GE06L3/8NPT	315	315	
	06	1/2-14 NPT	4.0	36.0	29.0	19.5	44	22	14	53	GE06L1/2NPT	315	315	
	08	1/8-27 NPT	4.0	25.0	18.0	10.0	33	14	17	16	GE08L1/8NPT	315	315	
	08	1/4-18 NPT	6.0	30.0	23.0	14.5	38	17	17	25	GE08L1/4NPT	315	315	200
	08	3/8-18 NPT	6.0	30.0	23.0	14.5	38	19	17	34	GE08L3/8NPT	315	315	
	08	1/2-14 NPT	6.0	36.0	29.0	19.5	44	22	17	54	GE08L1/2NPT	315	315	
	10	1/8-27 NPT	4.0	25.0	18.0	10.0	33	17	19	19	GE10L1/8NPT	315	315	
	10	1/4-18 NPT	7.0	31.0	24.0	14.5	39	17	19	25	GE10L1/4NPT	315	315	200
	10	3/8-18 NPT	7.0	32.0	25.0	14.5	40	19	19	40	GE10L3/8NPT	315	315	
	10	1/2-14 NPT	8.0	37.0	30.0	19.5	45	22	19	54	GE10L1/2NPT	315	315	
	10	3/4-14 NPT	8.0	38.0	31.0	19.5	46	30	19	93	GE10L3/4NPT	315	315	
	12	1/8-27NPT	4.0	26.0	19.0	10.0	34	19	22	52	GE12L1/8NPT	315	315	
	12	1/4-18 NPT	7.0	32.0	25.0	14.5	40	19	22	31	GE12L1/4NPT	315	315	200
	12	3/8-18 NPT	8.0	32.0	25.0	14.5	40	19	22	37	GE12L3/8NPT	315	315	200
	12	1/2-14 NPT	10.0	37.0	30.0	19.5	45	22	22	62	GE12L1/2NPT	315	315	200
	15	3/8-18 NPT	8.0	33.0	26.0	14.5	41	24	27	53	GE15L3/8NPT	315	315	
	15	1/2-14 NPT	12.0	38.0	31.0	19.5	46	24	27	63	GE15L1/2NPT	315	315	200
	15	3/4-14 NPT	12.0	39.0	32.0	19.5	47	30	27	112	GE15L3/4NPT	315	315	
	15	1-11 1/2 NPT	12.0	45.0	38.0	24.5	53	36	27	158	GE15L1NPT	315	315	
	18	3/8-18 NPT	8.0	34.0	26.5	14.5	43	27	32	69	GE18L3/8NPT	315	315	
	18	1/2-14 NPT	12.0	39.0	31.5	19.5	48	27	32	79	GE18L1/2NPT	315	315	200
	18	3/4-14 NPT	15.0	39.0	31.5	19.5	48	30	32	104	GE18L3/4NPT	315	315	
	18	1-11 1/2 NPT	15.0	45.0	37.5	24.5	54	36	32	159	GE18L1NPT	315	315	
	22	3/8-18 NPT	8.0	36.5	29.0	14.5	45	32	36	91	GE22L3/8NPT	160	160	
	22	1/2-14 NPT	12.0	41.0	33.5	19.5	50	32	36	96	GE22L1/2NPT	160	160	
	22	3/4-14 NPT	16.0	41.0	33.5	19.5	50	32	36	108	GE22L3/4NPT	160	160	100
	22	1-11 1/2 NPT	19.0	47.0	39.5	24.5	56	36	36	174	GE22L1NPT	160	160	
	28	3/4-14 NPT	16.0	42.0	34.5	19.5	51	41	41	157	GE28L3/4NPT	160	160	
	28	1-11 1/2 NPT	21.0	47.0	39.5	24.5	56	41	41	197	GE28L1NPT	160	160	100
	28	11/4-1 11/2 NPT	24.0	49.0	41.5	25.0	58	46	41	266	GE28L11/4NPT	160	160	
	35	1-11 1/2NPT	22.0	50.0	39.5	24.5	61	46	50	280	GE35L1NPT	160	160	
	35	11/4-11 1/2 NPT	28.0	51.0	40.5	25.0	62	46	50	285	GE35L11/4NPT	160	160	
	42	11/4- 11 1/2 NPT	28.0	53.0	42.0	25.0	65	55	60	382	GE42L11/4NPT	160	160	
	42	11/2-11 1/2 NPT	36.0	53.0	42.0	26.0	65	55	60	377	GE42L11/2NPT	160	160	

<sup>1)</sup> Pressure shown = item deliverable

<sup>2)</sup> LL = very light series; <sup>3)</sup> L = light series

$$\frac{\text{PN (bar)}}{10} = \text{PN (MPa)}$$

Delivery without nut and ring. Information on ordering complete fittings see page I7.

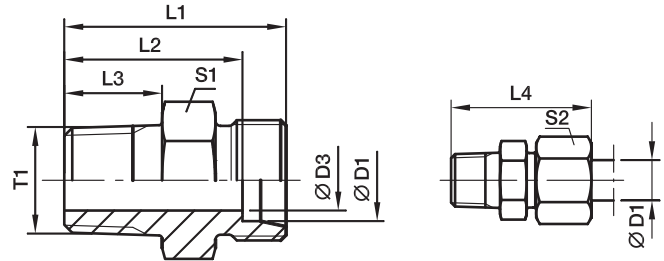
\*Please add the **suffixes** below according to the material/surface required.

Order code suffixes		
Material	Suffix surface and material	Example
Steel, zinc plated, Cr(VI)-free	CFX	GE18L1/2NPTCFX
Stainless Steel	71X	GE18L1/2NPT71X
Brass	MSX	GE18L1/2NPTMSX



## GE-NPT Male stud connector

Male NPT thread (SAE J476) / EO 24° cone end



Series	D1	T1	D3	L1	L2	L3	L4	S1	S2	Weight g/1 piece	Order code*	PN (bar) <sup>1)</sup>		
												CF	71	MS
S <sup>4)</sup>	06	1/8-27 NPT	4	28	21.0	10.0	36	14	17	21	<b>GE06S1/8NPT</b>	630	630	
	06	1/4-18 NPT	4	35	28.0	14.5	43	17	17	37	<b>GE06S1/4NPT</b>	630	630	400
	06	3/8-18 NPT	4	33	26.0	14.5	41	19	17	40	<b>GE06S3/8NPT</b>	630	630	
	06	1/2-14 NPT	4	42	35.0	19.5	50	22	17	71	<b>GE06S1/2NPT</b>	630	630	
	08	1/4-18 NPT	5	35	28.0	14.5	43	17	19	38	<b>GE08S1/4NPT</b>	630	630	400
	08	3/8-18 NPT	5	35	28.0	14.5	43	19	19	46	<b>GE08S3/8NPT</b>	630	630	
	08	1/2-14 NPT	5	42	35.0	19.5	50	22	19	73	<b>GE08S1/2NPT</b>	630	630	400
	10	1/4-18 NPT	5	35	27.5	14.5	44	19	22	45	<b>GE10S1/4NPT</b>	630	630	
	10	3/8-18 NPT	7	35	27.5	14.5	44	19	22	49	<b>GE10S3/8NPT</b>	630	630	400
	10	1/2-14 NPT	7	42	34.5	19.5	51	22	22	73	<b>GE10S1/2NPT</b>	630	630	400
	10	3/4-14 NPT	7	44	36.5	19.5	53	30	22	125	<b>GE10S3/4NPT</b>	630	630	
	12	1/4-18 NPT	5	37	29.5	14.5	46	22	24	57	<b>GE12S1/4NPT</b>	630	630	
	12	3/8-18 NPT	8	37	29.5	14.5	46	22	24	62	<b>GE12S3/8NPT</b>	630	630	400
	12	1/2-14 NPT	8	42	34.5	19.5	51	22	24	83	<b>GE12S1/2NPT</b>	630	630	400
	12	3/4-14 NPT	8	44	36.5	19.5	53	30	24	126	<b>GE12S3/4NPT</b>	630	630	
	14	3/8-18 NPT	8	39	31.0	14.5	49	24	27	77	<b>GE14S3/8NPT</b>	630	630	
	14	1/2-14 NPT	10	44	36.0	19.5	54	24	27	89	<b>GE14S1/2NPT</b>	630	630	400
	14	3/4-14 NPT	10	46	38.0	19.5	56	30	27	130	<b>GE14S3/4NPT</b>	630	630	
	14	1-11 1/2 NPT	10	51	43.0	24.5	61	36	27	180	<b>GE14S1NPT</b>	630	630	
	16	3/8-18 NPT	8	39	30.5	14.5	49	27	30	84	<b>GE16S3/8NPT</b>	400	400	
16	1/2-14 NPT	12	48	39.5	19.5	58	32	30	97	<b>GE16S1/2NPT</b>	400	400	250	
16	3/4-14 NPT	12	46	37.5	19.5	56	30	30	130	<b>GE16S3/4NPT</b>	400	400		
16	1-11 1/2 NPT	12	51	42.5	24.5	61	36	30	178	<b>GE16S1NPT</b>	400	400		
20	1/2-14 NPT	12	48	37.5	19.5	59	32	36	144	<b>GE20S1/2NPT</b>	400	400		
20	3/4-14 NPT	16	48	37.5	19.5	59	32	36	149	<b>GE20S3/4NPT</b>	400	400	250	
20	1-11 1/2 NPT	16	55	44.5	24.5	66	36	36	243	<b>GE20S1NPT</b>	400	400		
25	3/4-14 NPT	16	52	40.0	19.5	64	41	46	240	<b>GE25S3/4NPT</b>	400	400		
25	1-11 1/2 NPT	20	57	45.0	24.5	69	41	46	278	<b>GE25S1NPT</b>	400	400		
25	11/4-11 1/2 NPT	20	58	46.0	25.0	70	46	46	396	<b>GE25S11/4NPT</b>	400	400		
25	11/2-11 1/2 NPT	20	61	49.0	26.0	73	50	46	469	<b>GE25S11/2NPT</b>	400	400		
30	3/4-14 NPT	16	54	40.5	19.5	67	46	50	307	<b>GE30S3/4NPT</b>	400	400		
30	1-11 1/2 NPT	20	59	45.5	24.5	72	46	50	343	<b>GE30S1NPT</b>	400	400		
30	11/4-11 1/2 NPT	25	60	46.5	25.0	73	46	50	397	<b>GE30S11/4NPT</b>	400	400		
30	11/2-11 1/2NPT	25	60	46.5	26.0	73	50	50	440	<b>GE30S11/2NPT</b>	400	400		
38	1-11 1/2 NPT	22	64	48.0	24.5	79	55	60	510	<b>GE38S1NPT</b>	315	315		
38	11/4-11 1/2 NPT	25	65	49.0	25.0	80	55	60	535	<b>GE38S11/4NPT</b>	315	315		
38	11/2-11 1/2 NPT	32	65	49.0	26.0	80	55	60	571	<b>GE38S11/2NPT</b>	315	315		

<sup>1)</sup> Pressure shown = item deliverable

<sup>4)</sup> S = heavy series

$$\frac{\text{PN (bar)}}{10} = \text{PN (MPa)}$$

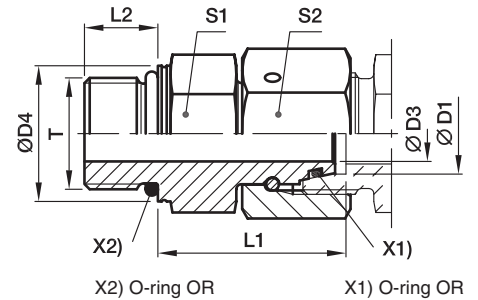
Delivery without nut and ring. Information on ordering complete fittings see page I7.

\*Please add the **suffixes** below according to the material/surface required.

Order code suffixes		
Material	Suffix surface and material	Example
Steel, zinc plated, Cr(VI)-free	CF	GE16S1/2NPTCFX
Stainless Steel	71	GE16S1/2NPT71X
Brass	MS	GE16S1/2NPTMSX

## EGEO Swivel connector

Male metric thread – O-ring (ISO 6149) / EO 24° DKO swivel



Series	D1 	T	D3	D4	L1	L2	S1	S2	Weight g/1 piece	Order code*	PN (bar) <sup>1)</sup> CF
L <sup>3)</sup>	06	M 10×1	2.5	13.8	24.5	8.5	14	14	29	<b>EGEO06LM</b>	500
	08	M 12×1.5	4.0	16.8	26.5	11.0	17	17	43	<b>EGEO08LM</b>	500
	10	M 14×1.5	6.0	18.8	27.5	11.0	19	19	57	<b>EGEO10LM</b>	500
	12	M 16×1.5	8.0	21.8	30.5	11.5	22	22	85	<b>EGEO12LM</b>	400
	15	M 18×1.5	10.0	23.8	31.5	12.5	24	27	115	<b>EGEO15LM</b>	400
	18	M 22×1.5	13.0	26.8	31.5	13.0	27	32	152	<b>EGEO18LM</b>	400
	22	M 27×2	17.0	31.8	32.5	16.0	32	36	207	<b>EGEO22LM27X2</b>	250
	28	M 33×2	22.0	40.8	35.0	16.0	41	41	294	<b>EGEO28LM</b>	250
	35	M 42×2	28.0	49.8	42.5	16.0	50	50	516	<b>EGEO35LM</b>	250
	42	M 48×2	34.0	54.8	46.5	17.5	55	60	718	<b>EGEO42LM</b>	250
S <sup>4)</sup>	06	M 12×1.5	2.5	16.8	27.0	11.0	17	17	49	<b>EGEO06SM</b>	800
	08	M 14×1.5	4.0	18.8	29.5	11.0	19	19	69	<b>EGEO08SM</b>	800
	10	M 16×1.5	6.0	21.8	32.0	12.5	22	22	96	<b>EGEO10SM</b>	800
	12	M 18×1.5	8.0	23.8	34.0	14.0	24	24	116	<b>EGEO12SM</b>	630
	16	M 22×1.5	11.0	26.8	37.0	15.0	27	30	179	<b>EGEO16SM</b>	630
	20	M 27×2	14.0	31.8	43.0	18.5	32	36	280	<b>EGEO20SM</b>	420
	25	M 33×2	18.0	40.8	48.0	18.5	41	46	502	<b>EGEO25SM</b>	420
	30	M 42×2	23.0	49.8	51.0	19.0	50	50	697	<b>EGEO30SM</b>	420
	38	M 48×2	30.0	54.8	60.0	21.5	55	60	965	<b>EGEO38SM</b>	420

<sup>1)</sup> Pressure shown = item deliverable

<sup>3)</sup> L = light series; <sup>4)</sup> S = heavy series

$$\frac{\text{PN (bar)}}{10} = \text{PN (MPa)}$$

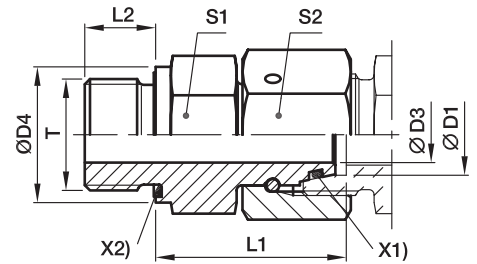
Information on ordering alternative sealing materials see page 17.

\*Please add the **suffixes** below according to the material/surface required.

Order code suffixes			
Material	Suffix surface and material	Example	Standard sealing material (no additional suffix needed)
Steel, zinc plated, Cr(VI)-free	CF	EGEO16SMCF	NBR

## EGE-M-ED Swivel connector

Male metric thread – ED-seal (ISO 9974) / EO 24° DKO swivel



X2) Eolastic-sealing ED X1) O-ring OR

Series	D1 	T	D3	D4	L1	L2	S1	S2	Weight g/1 piece	Order code*	PN (bar) <sup>1)</sup>	
											CF	71
L <sup>3)</sup>	06	M 10 × 1	2.5	14	24.5	8	14	14	27	EGE06LMED	500	315
	08	M 12 × 1.5	4.0	17	26.5	12	17	17	45	EGE08LMED	500	315
	10	M 14 × 1.5	6.0	19	27.5	12	19	19	57	EGE10LMED	500	315
	12	M 16 × 1.5	8.0	22	30.5	12	22	22	82	EGE12LMED	400	315
	12	M 22 × 1.5	8.0	27	27.0	14	27	22	92	EGE12LM22X1.5ED	400	315
	15	M 18 × 1.5	10.0	24	31.5	12	24	27	113	EGE15LMED	400	315
	15	M 22 × 1.5	10.0	27	32.0	14	27	27	142	EGE15LM22X1.5ED	400	315
	18	M 22 × 1.5	13.0	27	31.5	14	27	32	148	EGE18LMED	400	315
	22	M 26 × 1.5	17.0	32	32.5	16	32	36	203	EGE22LMED	250	160
	28	M 33 × 2	22.0	40	35.0	18	41	41	289	EGE28LMED	250	160
	35	M 42 × 2	28.0	50	42.5	20	50	50	511	EGE35LMED	250	160
	42	M 48 × 2	34.0	55	46.5	22	55	60	711	EGE42LMED	250	160
S <sup>4)</sup>	06	M 12 × 1.5	2.5	17	27.0	12	17	17	47	EGE06SMED	800	630
	08	M 14 × 1.5	4.0	19	29.5	12	19	19	65	EGE08SMED	800	630
	10	M 16 × 1.5	6.0	22	32.0	12	22	22	91	EGE10SMED	800	630
	12	M 18 × 1.5	8.0	24	34.0	12	24	24	112	EGE12SMED	630	630
	14	M 20 × 1.5	9.0	26	36.5	14	27	27	153	EGE14SMED	630	630
	16	M 22 × 1.5	11.0	27	37.0	14	27	30	174	EGE16SMED	630	400
	20	M 27 × 2	14.0	32	43.0	16	32	36	274	EGE20SMED	420	400
	25	M 33 × 2	18.0	40	48.0	18	41	46	497	EGE25SMED	420	400
	30	M 42 × 2	23.0	50	51.0	20	50	50	691	EGE30SMED	420	400
	38	M 48 × 2	30.0	55	60.0	22	55	60	957	EGE38SMED	420	315

<sup>1)</sup> Pressure shown = item deliverable

<sup>3)</sup> L = light series; <sup>4)</sup> S = heavy series

$\frac{PN(\text{bar})}{10} = PN(\text{MPa})$

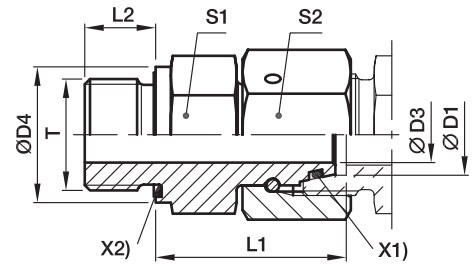
Information on ordering alternative sealing materials see page 17.

\*Please add the **suffixes** below according to the material/surface required

Order code suffixes			
Material	Suffix surface and material	Example	Standard sealing material (no additional suffix needed)
Steel, zinc plated, Cr(VI)-free	CF	EGE16SMEDCF	NBR
Stainless Steel	71	EGE16SMED71	VIT

## EGE-R-ED Swivel connector

Male BSPP thread – ED-seal (ISO 1179) / EO 24° DKO swivel



X2) Eolastic-sealing ED X1) O-ring OR

Series	D1 	T	D3	D4	L1	L2	S1	S2	Weight g/1 piece	Order code*	PN (bar) <sup>1)</sup>	
											CF	71
L <sup>3)</sup>	06	G 1/8 A	2.5	14	24.5	8	14	14	27	<b>EGE06LRED</b>	500	315
	08	G 1/4 A	4.0	19	29.5	12	19	17	28	<b>EGE08LRED</b>	500	315
	10	G 1/4 A	6.0	19	27.5	12	19	19	54	<b>EGE10LRED</b>	500	315
	10	G 3/8 A	6.0	22	29.0	12	22	19	70	<b>EGE10LR3/8ED</b>	400	
	12	G 3/8 A	8.0	22	34.0	12	22	22	95	<b>EGE12LRED</b>	400	315
	12	G 1/4 A	6.0	19	27.5	12	19	22	65	<b>EGE12LR1/4ED</b>	400	
	12	G 1/2 A	8.0	27	29.5	14	27	22	114	<b>EGE12LR1/2ED</b>	400	
	15	G 1/2 A	10.0	27	32.0	14	27	27	137	<b>EGE15LRED</b>	400	315
	18	G 1/2 A	13.0	27	31.5	14	27	32	143	<b>EGE18LRED</b>	400	315
	18	G 3/4 A	13.0	32	29.5	16	32	32	182	<b>EGE18LR3/4ED</b>	250	
	22	G 3/4 A	17.0	32	32.5	16	32	36	200	<b>EGE22LRED</b>	250	160
	28	G 1 A	22.0	40	35.0	18	41	41	289	<b>EGE28LRED</b>	250	160
	35	G 1 1/4 A	28.0	50	42.5	20	50	50	500	<b>EGE35LRED</b>	250	160
	42	G 1 1/2 A	34.0	55	46.5	22	55	60	718	<b>EGE42LRED</b>	250	160
S <sup>4)</sup>	06	G 1/4 A	2.5	19	27.0	12	19	17	53	<b>EGE06SRED</b>	800	630
	08	G 1/4 A	4.0	19	29.5	12	19	19	64	<b>EGE08SRED</b>	800	630
	10	G 3/8 A	6.0	22	32.0	12	22	22	93	<b>EGE10SRED</b>	800	630
	12	G 3/8 A	8.0	22	34.0	12	22	24	100	<b>EGE12SRED</b>	630	630
	12	G 1/4 A	5.0	19	31.5	12	19	24	140	<b>EGE12SR1/4ED</b>	630	
	12	G 1/2 A	8.0	27	35.0	14	27	24	140	<b>EGE12SR1/2ED</b>	630	630
	14	G 1/2 A	9.0	27	36.5	14	27	27	157	<b>EGE14SRED</b>	630	630
	16	G 1/2 A	11.0	27	37.0	14	27	30	170	<b>EGE16SRED</b>	630	400
	20	G 3/4 A	14.0	32	43.0	16	32	36	273	<b>EGE20SRED</b>	420	400
	25	G 1 A	18.0	40	48.0	18	41	46	493	<b>EGE25SRED</b>	420	400
	30	G 1 1/4 A	23.0	50	51.0	20	50	50	691	<b>EGE30SRED</b>	420	
	38	G 1 1/2 A	30.0	55	60.0	22	55	60	934	<b>EGE38SRED</b>	420	315

<sup>1)</sup> Pressure shown = item deliverable

<sup>3)</sup> L = light series; <sup>4)</sup> S = heavy series

$$\frac{\text{PN (bar)}}{10} = \text{PN (MPa)}$$

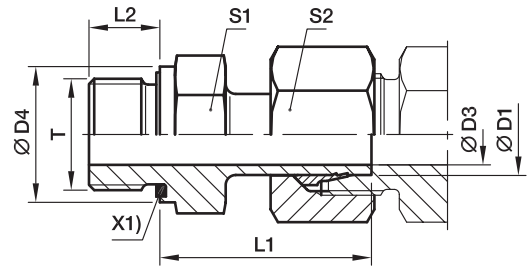
Information on ordering alternative sealing materials see page 17.

\*Please add the **suffixes** below according to the material/surface required.

Order code suffixes			
Material	Suffix surface and material	Example	Standard sealing material (no additional suffix needed)
Steel, zinc plated, Cr(VI)-free	CF	EGE16SREDCF	NBR
Stainless Steel	71	EGE16SRED71	VIT

## EVGE-M-ED Standpipe connector

Male metric thread – ED (ISO 9974) / EO standpipe adjustable



Pre-assembled nut and ring.  
Final assembly (in appropriate body) at least 1/4 turn beyond the point of clearly perceptible resistance.

X1) Eolastic-sealing ED

Series	D1 	T	D3	D4	L1	L2	S1	S2	Weight g/1 piece	Order code*	PN (bar) <sup>1)</sup>	
											CF	71
L <sup>3)</sup>	06	M 10×1	3.5	14	24.5	8	14	14	24	<b>EVGE06LMED</b>	315	315
	08	M 12×1.5	5.5	17	26.5	12	17	17	38	<b>EVGE08LMED</b>	315	315
	10	M 14×1.5	7.0	19	27.5	12	19	19	49	<b>EVGE10LMED</b>	315	315
	12	M 16×1.5	9.0	22	30.0	12	22	22	67	<b>EVGE12LMED</b>	315	315
	15	M 18×1.5	11.0	24	30.5	12	24	27	95	<b>EVGE15LMED</b>	315	315
	18	M 22×1.5	14.0	27	31.5	14	27	32	137	<b>EVGE18LMED</b>	315	315
	22	M 26×1.5	18.0	32	32.5	16	32	36	183	<b>EVGE22LMED</b>	160	160
	28	M 33×2	23.0	40	35.0	18	41	41	264	<b>EVGE28LMED</b>	160	160
	35	M 42×2	29.5	50	42.5	20	50	50	444	<b>EVGE35LMED</b>	160	160
	42	M 48×2	35.5	55	46.5	22	55	60	614	<b>EVGE42LMED</b>	160	160
S <sup>4)</sup>	06	M 12×1.5	3.5	17	27.0	12	17	17	43	<b>EVGE06SMED</b>	630	630
	08	M 14×1.5	4.5	19	29.5	12	19	19	59	<b>EVGE08SMED</b>	630	630
	10	M 16×1.5	6.5	22	32.0	12	22	22	82	<b>EVGE10SMED</b>	630	630
	12	M 18×1.5	7.5	24	34.0	12	24	24	104	<b>EVGE12SMED</b>	630	630
	14	M 20×1.5	9.5	26	36.5	14	27	27	144	<b>EVGE14SMED</b>	630	630
	16	M 22×1.5	11.5	27	37.0	14	27	30	162	<b>EVGE16SMED</b>	400	400
	20	M 27×2	15.5	32	43.0	16	32	36	254	<b>EVGE20SMED</b>	400	400
	25	M 33×2	18.0	40	48.0	18	41	46	493	<b>EVGE25SMED</b>	400	400
	30	M 42×2	23.5	50	51.0	20	50	50	654	<b>EVGE30SMED</b>	400	400
	38	M 48×2	29.0	55	60.0	22	55	60	962	<b>EVGE38SMED</b>	315	315

<sup>1)</sup> Pressure shown = item deliverable

<sup>3)</sup> L = light series; <sup>4)</sup> S = heavy series

$$\frac{\text{PN (bar)}}{10} = \text{PN (MPa)}$$

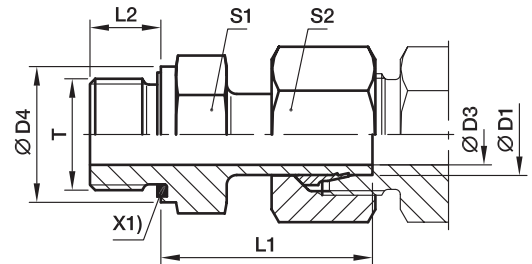
Information on ordering alternative sealing materials see page 17.

Order code suffixes			
Material	Suffix surface and material	Example	Standard sealing material (no additional suffix needed)
Steel, zinc plated, Cr(VI)-free	CF	EGE16SMEDCF	NBR
Stainless Steel	71	EGE16SMED71	VIT

\*Please add the **suffixes** below according to the material/surface required.

## EVGE-R-ED Standpipe connector

Male BSPP thread – ED-seal (ISO 1179) / EO standpipe adjustable



Pre-assembled nut and ring.  
Final assembly (in appropriate body) at least 1/4 turn beyond the point of clearly perceptible resistance.

X1) Eolastic-sealing ED

Series	D1 	T	D3	D4	L1	L2	S1	S2	Weight g/1 piece	Order code*	PN (bar) <sup>1)</sup>		
											CF	71	MS
L <sup>3)</sup>	06	G 1/8 A	3.5	14	24.5	8	14	14	24	<b>EVGE06LRED</b>	315	315	200
	08	G 1/4 A	4.5	19	29.5	12	19	17	52	<b>EVGE08LRED</b>	315	315	200
	10	G 1/4 A	7.0	19	27.5	12	19	19	47	<b>EVGE10LRED</b>	315	315	200
	12	G 3/8 A	7.5	22	34.0	12	22	22	87	<b>EVGE12LRED</b>	315	315	200
	12	G 1/4 A	7.0	19	28.5	12	19	22	61	<b>EVGE12LR1/4ED</b>	315		
	12	G 1/2 A	7.5	27	34.5	14	27	22	121	<b>EVGE12LR1/2ED</b>	315	315	
	15	G 1/2 A	11.0	27	31.0	14	27	27	114	<b>EVGE15LRED</b>	315	315	200
	18	G 1/2 A	14.0	27	31.5	14	27	32	132	<b>EVGE18LRED</b>	315	315	200
	22	G 3/4 A	18.0	32	32.5	16	32	36	183	<b>EVGE22LRED</b>	160	160	100
	28	G 1 A	23.0	40	35.0	18	41	41	262	<b>EVGE28LRED</b>	160	160	
S <sup>4)</sup>	35	G 1 1/4 A	29.5	50	42.5	20	50	50	436	<b>EVGE35LRED</b>	160	160	
	42	G 1 1/2 A	35.5	55	46.5	22	55	60	615	<b>EVGE42LRED</b>	160	160	
	06	G 1/4 A	3.5	19	27.0	12	19	17	48	<b>EVGE06SRED</b>	630	630	
	08	G 1/4 A	4.5	19	29.5	12	19	19	57	<b>EVGE08SRED</b>	630	630	
	10	G 3/8 A	6.5	22	32.0	12	22	22	84	<b>EVGE10SRED</b>	630	630	
	12	G 3/8 A	7.5	22	34.0	12	22	24	95	<b>EVGE12SRED</b>	630	630	
	12	G 1/2 A	7.5	27	34.5	14	27	24	130	<b>EVGE12SR1/2ED</b>	630	630	
	14	G 1/2 A	9.5	27	36.5	14	27	27	149	<b>EVGE14SRED</b>	630	630	
	16	G 1/2 A	11.5	27	37.0	14	27	30	158	<b>EVGE16SRED</b>	400	400	
	16	G 3/4 A	11.5	32	39.0	16	32	30	222	<b>EVGE16SR3/4ED</b>	400		
20	G 3/4 A	15.5	32	43.0	16	32	36	254	<b>EVGE20SRED</b>	400	400		
25	G 1 A	18.0	40	48.0	18	41	46	485	<b>EVGE25SRED</b>	400	400		
30	G 1 1/4 A	23.5	50	51.0	20	50	50	661	<b>EVGE30SRED</b>	400	400		
38	G 1 1/2 A	29.0	55	60.0	22	55	60	962	<b>EVGE38SRED</b>	315	315		

<sup>1)</sup> Pressure shown = item deliverable

<sup>3)</sup> L = light series; <sup>4)</sup> S = heavy series

$$\frac{\text{PN (bar)}}{10} = \text{PN (MPa)}$$

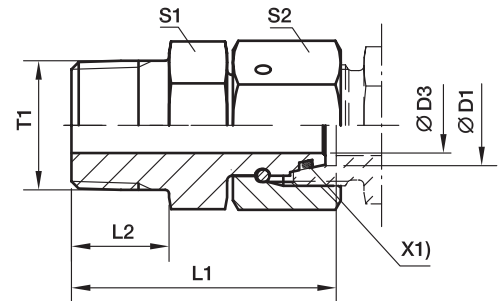
Information on ordering alternative sealing materials see page 17.

\*Please add the **suffixes** below according to the material/surface required.

Order code suffixes			
Material	Suffix surface and material	Example	Standard sealing material (no additional suffix needed)
Steel, zinc plated, Cr(VI)-free	CF	EVGE16SREDCF	NBR
Stainless Steel	71	EVGE16SRED71	VIT
Brass	MS	EVGE16SREDMS	NBR

## EGE-NPT Swivel connector

Male NPT thread (SAE J476) / EO 24° DKO swivel



X1) O-ring OR

Series	D1 	T1	D3	L1	L2	S1	S2	Weight g/1 piece	Order code*	PN (bar) <sup>1)</sup>	
										CF	
L <sup>3)</sup>	06	1/8-27NPT	2.5	31.5	10.0	11	14	23	<b>EGE06L1/8NPT</b>	315	
	08	1/4-18NPT	4.0	37.5	14.5	14	17	41	<b>EGE08L1/4NPT</b>	315	
	10	1/4-18NPT	6.0	38.0	14.5	14	19	44	<b>EGE10L1/4NPT</b>	315	
	12	3/8-18NPT	8.0	40.0	14.5	19	22	69	<b>EGE12L3/8NPT</b>	315	
	15	1/2-14NPT	10.0	49.5	19.5	22	27	127	<b>EGE15L1/2NPT</b>	315	
	18	1/2-14NPT	12.0	49.0	19.5	24	32	142	<b>EGE18L1/2NPT</b>	315	
	22	3/4-14NPT	16.0	52.0	19.5	27	36	200	<b>EGE22L3/4NPT</b>	160	
	28	1-11 1/2NPT	22.0	61.0	24.5	36	41	306	<b>EGE28L1NPT</b>	160	
	35	1 1/4-11 1/2NPT	28.0	65.5	25.0	46	50	486	<b>EGE35L11/4NPT</b>	160	
	42	1 1/2-11 1/2NPT	34.0	68.5	26.0	50	60	662	<b>EGE42L11/2NPT</b>	160	
S <sup>4)</sup>	06	1/4-18NPT	2.5	37.5	14.5	14	17	42	<b>EGE06S1/4NPT</b>	630	
	08	1/4-18NPT	4.0	38.0	14.5	14	19	47	<b>EGE08S1/4NPT</b>	630	
	10	3/8-18NPT	6.0	40.5	14.5	19	22	75	<b>EGE10S3/8NPT</b>	630	
	12	3/8-18NPT	8.0	42.0	14.5	19	24	81	<b>EGE12S3/8NPT</b>	630	
	14	1/2-14NPT	9.0	50.5	19.5	22	27	131	<b>EGE14S1/2NPT</b>	630	
	16	1/2-14NPT	11.0	51.0	19.5	22	30	145	<b>EGE16S1/2NPT</b>	400	
	20	3/4-14NPT	14.0	54.0	19.5	27	36	221	<b>EGE20S3/4NPT</b>	400	
	25	1-11 1/2NPT	18.0	63.5	24.5	36	46	422	<b>EGE25S1NPT</b>	400	
	30	1 1/4-11 1/2NPT	23.0	70.5	25.0	46	50	628	<b>EGE30S11/4NPT</b>	400	
	38	1 1/2-11 1/2NPT	30.0	73.5	26.0	50	60	770	<b>EGE38S11/2NPT</b>	315	

<sup>1)</sup> Pressure shown = item deliverable

<sup>3)</sup> L = light series; <sup>4)</sup> S = heavy series

$$\frac{\text{PN (bar)}}{10} = \text{PN (MPa)}$$

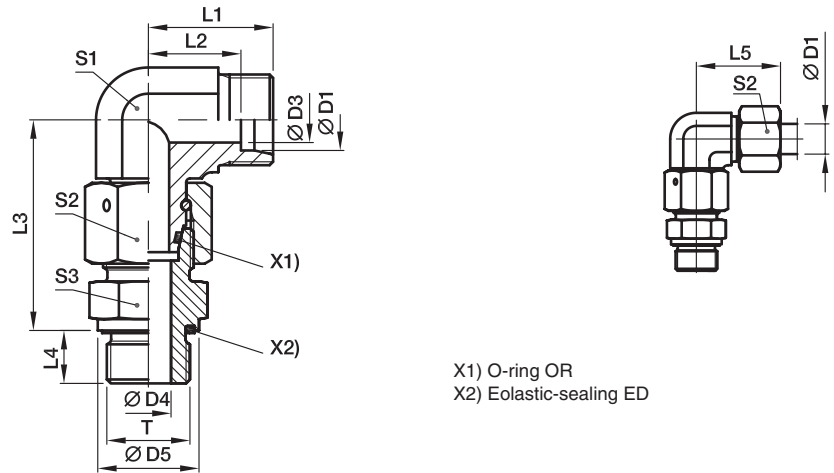
Information on ordering alternative sealing materials see page 17.

\*Please add the **suffixes** below according to the material/surface required.

Order code suffixes			
Material	Suffix surface and material	Example	Standard sealing material (no additional suffix needed)
Steel, zinc plated, Cr(VI)-free	CF	EGE16S1/2NPTCF	NBR

## EW-M-ED Assembled adjustable swivel elbow

EO 24° cone end / Male metric thread – ED-seal (ISO 9974)



X1) O-ring OR  
X2) Eolastic-sealing ED

Series	D1	T	D3	D4	D5	L1	L2	L3	L4	L5	S1	S2	S3	Weight g/1 piece	Order code*	PN (bar) <sup>1)</sup>	
																CF	71
L <sup>3)</sup>	06	M 10×1	4	4	14	19	12.0	34.5	8	27	12	14	14	47	EW06LMEDOMD	500	315
	08	M 12×1.5	6	6	17	21	14.0	37.5	12	29	12	17	17	69	EW08LMEDOMD	500	315
	10	M 14×1.5	8	7	19	22	15.0	40.0	12	30	14	19	19	87	EW10LMEDOMD	500	315
	12	M 16×1.5	10	9	22	24	17.0	42.0	12	32	17	22	22	111	EW12LMEDOMD	400	315
	15	M 18×1.5	12	11	24	28	21.0	46.0	12	36	19	27	24	179	EW15LMEDOMD	400	315
	18	M 22×1.5	15	14	27	31	23.5	50.0	14	40	24	32	27	272	EW18LMEDOMD	400	315
	22	M 26×1.5	19	18	32	35	27.5	55.0	16	44	27	36	32	360	EW22LMEDOMD	250	160
	28	M 33×2	24	23	40	38	30.5	59.0	18	47	36	41	41	538	EW28LMEDOMD	250	160
	35	M 42×2	30	30	50	45	34.5	68.5	20	56	41	50	50	843	EW35LMEDOMD	250	160
	42	M 48×2	36	36	55	51	40.0	75.0	22	63	50	60	55	1353	EW42LMEDOMD	250	160
S <sup>4)</sup>	06	M 12×1.5	4	4	17	23	16.0	40.0	12	31	12	17	17	77	EW06SMEDOMD	800	630
	08	M 14×1.5	5	5	19	24	17.0	42.5	12	32	14	19	19	107	EW08SMEDOMD	800	630
	10	M 16×1.5	6	7	22	25	17.5	45.0	12	34	17	22	22	146	EW10SMEDOMD	800	630
	12	M 18×1.5	8	8	24	29	21.5	48.0	12	38	17	24	24	178	EW12SMEDOMD	630	630
	14	M 20×1.5	9	10	26	30	22.0	54.0	14	40	19	27	27	203	EW14SMEDOMD	630	630
	16	M 22×1.5	12	12	27	33	24.5	55.0	14	43	24	30	27	307	EW16SMEDOMD	630	400
	20	M 27×2	16	16	32	37	26.5	65.0	16	48	27	36	32	459	EW20SMEDOMD	420	400
	25	M 33×2	20	20	40	42	30.0	73.0	18	54	36	46	41	812	EW25SMEDOMD	420	400
	30	M 42×2	25	25	50	49	35.5	78.5	20	62	41	50	50	1167	EW30SMEDOMD	420	400
	38	M 48×2	32	32	55	57	41.0	89.0	22	72	50	60	55	1790	EW38SMEDOMD	420	315

<sup>1)</sup> Pressure shown = item deliverable

<sup>3)</sup> L = light series; <sup>4)</sup> S = heavy series

$\frac{PN \text{ (bar)}}{10} = PN \text{ (MPa)}$

Delivery without nut and ring. Information on ordering complete fittings or alternative sealing materials see page 17.

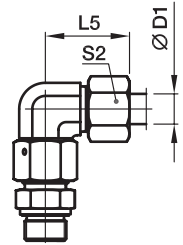
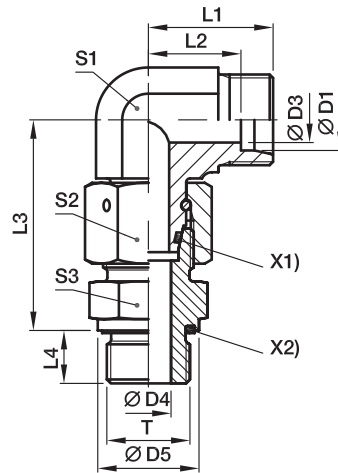
\*Please add the **suffixes** below according to the material/surface required.

Order code suffixes			
Material	Suffix surface and material	Example	Standard sealing material (no additional suffix needed)
Steel, zinc plated, Cr(VI)-free	CF	EW16SMEDOMDCF	NBR
Stainless Steel	71	EW16SMEDOMD71	VIT



## EW-R-ED Assembled adjustable swivel elbow

EO 24° cone end / Male BSPP thread – ED-seal (ISO 1179)



X1) O-ring OR  
X2) Eolastic-sealing ED

Series	D1	T	D3	D4	D5	L1	L2	L3	L4	L5	S1	S2	S3	Weight g/1 piece	Order code*	PN (bar) <sup>1)</sup>	
																CF	71
L <sup>3)</sup>	06	G 1/8 A	4	4	14	19	12.0	34.5	8	27	12	14	14	47	EW06LREDOMD	500	315
	08	G 1/4 A	6	6	19	21	14.0	37.5	12	29	12	17	19	69	EW08LREDOMD	500	315
	10	G 1/4 A	8	6	19	22	15.0	40.0	12	30	14	19	19	87	EW10LREDOMD	500	315
	12	G 3/8 A	10	9	22	24	17.0	42.0	12	32	17	22	22	122	EW12LREDOMD	400	315
	15	G 1/2 A	12	11	27	28	21.0	46.5	14	36	19	27	27	199	EW15LREDOMD	400	315
	18	G 1/2 A	15	14	27	31	23.5	50.0	14	40	24	32	27	268	EW18LREDOMD	400	315
	22	G 3/4 A	19	18	32	35	27.5	55.0	16	44	27	36	32	360	EW22LREDOMD	250	160
	28	G 1 A	24	23	40	38	30.5	59.0	18	47	36	41	41	539	EW28LREDOMD	250	160
	35	G 1 1/4 A	30	30	50	45	34.5	68.5	20	56	41	50	50	834	EW35LREDOMD	250	160
	42	G 1 1/2 A	36	36	55	51	40.0	75.0	22	63	50	60	55	1341	EW42LREDOMD	250	160
S <sup>4)</sup>	06	G 1/4 A	4	4	19	23	16.0	40.0	12	31	12	17	19	83	EW06SREDOMD	800	630
	08	G 1/4 A	5	5	19	24	17.0	42.5	12	32	14	19	19	106	EW08SREDOMD	800	630
	10	G 3/8 A	6	7	22	25	17.5	45.0	12	34	17	22	22	148	EW10SREDOMD	800	630
	12	G 3/8 A	8	8	22	29	21.5	48.0	12	38	17	24	22	170	EW12SREDOMD	630	630
	14	G 1/2 A	9	10	27	30	22.0	54.0	14	40	19	27	27	242	EW14SREDOMD	630	630
	16	G 1/2 A	12	12	27	33	24.5	55.0	14	43	24	30	27	303	EW16SREDOMD	630	400
	20	G 3/4 A	16	16	32	37	26.5	65.0	16	48	27	36	32	458	EW20SREDOMD	420	400
	25	G 1 A	20	20	40	42	30.0	73.0	18	54	36	46	41	813	EW25SREDOMD	420	400
	30	G 1 1/4 A	25	25	50	49	35.5	78.5	20	62	41	50	50	1163	EW30SREDOMD	420	400
	38	G 1 1/2 A	32	32	55	57	41.0	89.0	22	72	50	60	55	1784	EW38SREDOMD	420	315

<sup>1)</sup> Pressure shown = item deliverable

<sup>3)</sup> L = light series; <sup>4)</sup> S = heavy series

$\frac{PN \text{ (bar)}}{10} = PN \text{ (MPa)}$

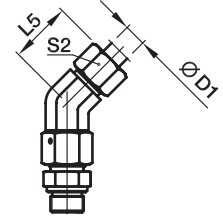
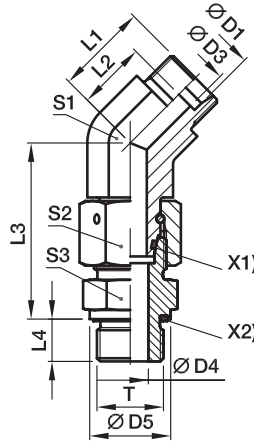
Delivery without nut and ring. Information on ordering complete fittings or alternative sealing materials see page 17.

\*Please add the **suffixes** below according to the material/surface required.

Order code suffixes			
Material	Suffix surface and material	Example	Standard sealing material (no additional suffix needed)
Steel, zinc plated, Cr(VI)-free	CF	EW16SREDOMDCF	NBR
Stainless Steel	71	EW16SREDOMD71	VIT

## EV-M-ED Assembled adjustable swivel 45° elbow

EO 24° cone end / Male metric thread – ED-seal (ISO 9974)



X1) O-ring OR  
X2) Eolastic-sealing ED

Series	D1	T	D3	D4	D5	L1	L2	L3	L4	L5	S1	S2	S3	Weight g/1 piece	Order code*	PN (bar) <sup>1)</sup>	
																CF	71
L <sup>3)</sup>	06	M 10×1.0	4	4	14	16.0	9.0	34.5	8	24	14	14	14	44	EV06LMEDOMD	315	315
	08	M 12×1.5	6	6	17	19.0	12.0	37.5	12	27	14	17	17	62	EV08LMEDOMD	315	315
	10	M 14×1.5	8	7	19	19.0	12.0	40.0	12	27	19	19	19	80	EV10LMEDOMD	315	315
	12	M 16×1.5	10	9	22	21.0	14.0	42.0	12	29	19	22	22	110	EV12LMEDOMD	315	315
	15	M 18×1.5	12	11	24	24.0	17.0	46.0	12	32	22	27	24	171	EV15LMEDOMD	315	315
	18	M 22×1.5	15	14	27	24.0	16.5	50.0	14	33	27	32	27	245	EV18LMEDOMD	315	315
	22	M 26×1.5	19	18	32	26.0	18.5	55.0	16	35	30	36	32	339	EV22LMEDOMD	160	160
	28	M 33×2.0	24	23	40	30.5	23.0	59.0	18	40	36	41	41	517	EV28LMEDOMD	160	160
	35	M 42×2.0	30	30	50	37.0	26.5	68.5	20	48	50	50	50	810	EV35LMEDOMD	160	160
	42	M 48×2.0	36	36	55	37.0	26.0	75.0	22	49	50	60	55	1193	EV42LMEDOMD	160	160
S <sup>4)</sup>	06	M 12×1.5	4	4	17	16.0	9.0	40.0	12	24	14	17	17	72	EV06SMEDOMD	630	630
	08	M 14×1.5	5	5	19	19.0	12.0	42.5	12	27	19	19	19	102	EV08SMEDOMD	630	630
	10	M 16×1.5	7	7	22	21.0	13.5	45.0	12	30	19	22	22	132	EV10SMEDOMD	630	630
	12	M 18×1.5	8	8	24	24.0	16.5	48.0	12	33	22	24	24	173	EV12SMEDOMD	630	630
	16	M 22×1.5	12	12	27	24.0	15.5	55.0	14	34	27	30	27	284	EV16SMEDOMD	400	400
	20	M 27×2.0	16	16	32	26.5	16.0	65.0	16	38	30	36	32	435	EV20SMEDOMD	400	400
	25	M 33×2.0	20	20	40	30.5	18.5	73.0	18	43	36	46	41	790	EV25SMEDOMD	400	400
	30	M 42×2.0	25	25	50	37.0	23.5	78.5	20	50	50	50	50	1132	EV30SMEDOMD	400	400
	38	M 48×2.0	32	32	55	37.0	21.0	89.0	22	52	50	60	55	1631	EV38SMEDOMD	315	315

<sup>1)</sup> Pressure shown = item deliverable

<sup>3)</sup> L = light series; <sup>4)</sup> S = heavy series

$$\frac{\text{PN (bar)}}{10} = \text{PN (MPa)}$$

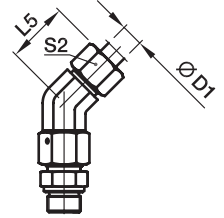
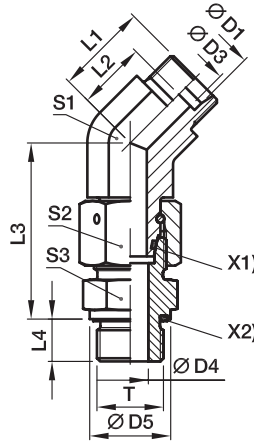
Delivery without nut and ring. Information on ordering complete fittings or alternative sealing materials see page 17.

\*Please add the **suffixes** below according to the material/surface required.

Order code suffixes			
Material	Suffix surface and material	Example	Standard sealing material (no additional suffix needed)
Steel, zinc plated, Cr(VI)-free	CF	EV16SMEDOMDCF	NBR
Stainless Steel	71	EV16SMEDOMD71	VIT

## EV-R-ED Assembled adjustable swivel 45° elbow

EO 24° cone end / Male BSPP thread – ED-seal (ISO 1179)



X1) O-ring OR  
X2) Eolastic-sealing ED

Series	D1 	T	D3	D4	D5	L1	L2	L3	L4	L5	S1	S2	S3	Weight g/1 piece	Order code*	PN (bar) <sup>1)</sup>	
																CF	71
L <sup>3)</sup>	06	G 1/8 A	4	4	14	16.0	9.0	34.5	8	24	14	14	14	44	EV06LREDOMD	315	315
	08	G 1/4 A	6	6	19	19.0	12.0	37.5	12	27	14	17	19	67	EV08LREDOMD	315	315
	10	G 1/4 A	8	6	19	19.0	12.0	40.0	12	27	19	19	19	78	EV10LREDOMD	315	315
	12	G 3/8 A	10	9	22	21.0	14.0	42.0	12	29	19	22	22	112	EV12LREDOMD	315	315
	15	G 1/2 A	12	11	27	24.0	17.0	46.5	14	32	22	27	27	192	EV15LREDOMD	315	315
	18	G 1/2 A	15	14	27	24.0	16.5	50.0	14	33	27	32	27	242	EV18LREDOMD	315	315
	22	G 3/4 A	19	18	32	26.0	18.5	55.0	16	35	30	36	32	338	EV22LREDOMD	160	160
	28	G 1 A	24	23	40	30.5	23.0	59.0	18	40	36	41	41	518	EV28LREDOMD	160	160
	35	G 1 1/4 A	30	30	50	37.0	26.5	68.5	20	48	50	50	50	801	EV35LREDOMD	160	160
	42	G 1 1/2 A	36	36	55	37.0	26.0	75.0	22	49	50	60	55	1181	EV42LREDOMD	160	160
S <sup>4)</sup>	06	G 1/4 A	4	4	19	16.0	9.0	40.0	12	24	14	17	19	78	EV06SREDOMD	630	630
	08	G 1/4 A	5	5	19	19.0	12.0	42.5	12	27	19	19	19	101	EV08SREDOMD	630	630
	10	G 3/8 A	7	7	22	21.0	13.5	45.0	12	30	19	22	22	134	EV10SREDOMD	630	630
	12	G 3/8 A	8	8	22	24.0	16.5	48.0	12	33	22	24	22	165	EV12SREDOMD	630	630
	16	G 1/2 A	12	12	27	24.0	15.5	55.0	14	34	27	30	27	280	EV16SREDOMD	400	400
	20	G 3/4 A	16	16	32	26.5	16.0	65.0	16	38	30	36	32	434	EV20SREDOMD	400	400
	25	G 1 A	20	20	40	30.5	18.5	73.0	18	43	36	46	41	792	EV25SREDOMD	400	400
	30	G 1 1/4 A	25	25	50	37.0	23.5	78.5	20	50	50	50	50	1128	EV30SREDOMD	400	400
38	G 1 1/2 A	32	32	55	37.0	21.0	89.0	22	52	50	60	55	1625	EV38SREDOMD	315	315	

<sup>1)</sup> Pressure shown = item deliverable

<sup>3)</sup> L = light series; <sup>4)</sup> S = heavy series

$$\frac{\text{PN (bar)}}{10} = \text{PN (MPa)}$$

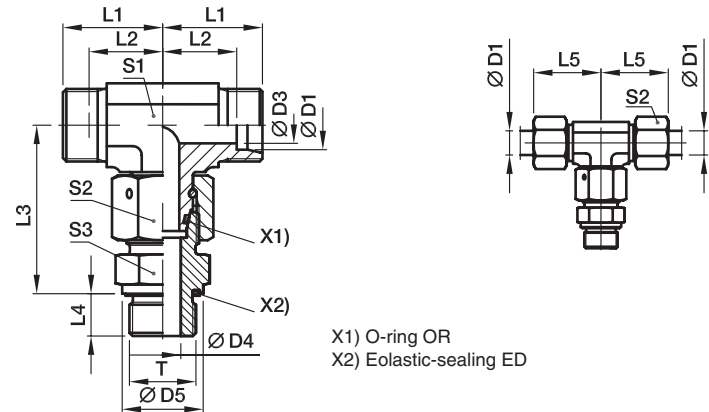
Delivery without nut and ring. Information on ordering complete fittings or alternative sealing materials see page 17.

\*Please add the **suffixes** below according to the material/surface required.

Order code suffixes			
Material	Suffix surface and material	Example	Standard sealing material (no additional suffix needed)
Steel, zinc plated, Cr(VI)-free	CF	EV16SREDOMDCF	NBR
Stainless Steel	71	EV16SREDOMD71	VIT

## ET-M-ED Assembled adjustable swivel branch tee

EO 24° cone end / Male metric thread – ED-seal (ISO 9974)



Series	D1 	T	D3	D4	D5	L1	L2	L3	L4	L5	S1	S2	S3	Weight g/1 piece	Order code*	PN (bar) <sup>1)</sup>	
																CF	71
L <sup>3)</sup>	06	M 10×1	4	4	14	19	12.0	34.5	8	27	12	14	14	55	ET06LMEDOMD	500	315
	08	M 12×1.5	6	6	17	21	14.0	37.5	12	29	12	17	17	75	ET08LMEDOMD	500	315
	10	M 14×1.5	8	7	19	22	15.0	40.0	12	30	14	19	19	98	ET10LMEDOMD	500	315
	12	M 16×1.5	10	9	22	24	17.0	42.0	12	32	17	22	22	135	ET12LMEDOMD	400	315
	15	M 18×1.5	12	11	24	28	21.0	46.0	12	36	19	27	24	203	ET15LMEDOMD	400	315
	18	M 22×1.5	15	14	27	31	23.5	50.0	14	40	24	32	27	310	ET18LMEDOMD	400	315
	22	M 26×1.5	19	18	32	35	27.5	55.0	16	44	27	36	32	377	ET22LMEDOMD	250	160
	28	M 33×2	24	23	40	38	30.5	59.0	18	47	36	41	41	607	ET28LMEDOMD	250	160
	35	M 42×2	30	30	50	45	34.5	68.5	20	56	41	50	50	929	ET35LMEDOMD	250	160
	42	M 48×2	36	36	55	51	40.0	75.0	22	63	50	60	55	1478	ET42LMEDOMD	250	160
S <sup>4)</sup>	06	M 12×1.5	4	4	17	23	16.0	40.0	12	31	12	17	17	92	ET06SMEDOMD	800	630
	08	M 14×1.5	5	5	19	24	17.0	42.5	12	32	14	19	19	126	ET08SMEDOMD	800	630
	10	M 16×1.5	6	7	22	25	17.5	45.0	12	34	17	22	22	167	ET10SMEDOMD	800	630
	12	M 18×1.5	8	8	24	29	21.5	48.0	12	38	17	24	24	207	ET12SMEDOMD	630	630
	14	M 20×1.5	9	10	26	30	22.0	54.0	14	40	19	27	27	287	ET14SMEDOMD	630	630
	16	M 22×1.5	12	12	27	33	24.5	55.0	14	43	24	30	27	352	ET16SMEDOMD	630	400
	20	M 27×2	16	16	32	37	26.5	65.0	16	48	27	36	32	498	ET20SMEDOMD	420	400
	25	M 33×2	20	20	40	42	30.0	73.0	18	54	36	46	41	916	ET25SMEDOMD	420	400
	30	M 42×2	25	25	50	49	35.5	78.5	20	62	41	50	50	1328	ET30SMEDOMD	420	400
	38	M 48×2	32	32	55	57	41.0	89.0	22	72	50	60	55	2031	ET38SMEDOMD	420	315

<sup>1)</sup> Pressure shown = item deliverable

<sup>3)</sup> L = light series; <sup>4)</sup> S = heavy series

$$\frac{\text{PN (bar)}}{10} = \text{PN (MPa)}$$

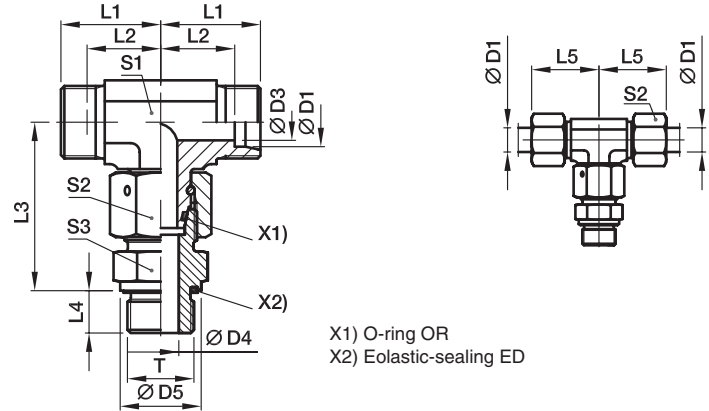
Delivery without nut and ring. Information on ordering complete fittings or alternative sealing materials see page 17.

\*Please add the **suffixes** below according to the material/surface required.

Order code suffixes			
Material	Suffix surface and material	Example	Standard sealing material (no additional suffix needed)
Steel, zinc plated, Cr(VI)-free	CF	ET16SMEDOMDCF	NBR
Stainless Steel	71	ET16SMEDOMD71	VIT

## ET-R-ED Assembled adjustable swivel branch tee

EO 24° cone end / Male BSPP thread – ED-seal (ISO 1179)



Series	D1	T	D3	D4	D5	L1	L2	L3	L4	L5	S1	S2	S3	Weight g/1 piece	Order code*	PN (bar) <sup>1)</sup>	
																CF	71
L <sup>3)</sup>	06	G 1/8 A	4	4	14	19	12.0	34.5	8	27	12	14	14	55	ET06LREDOMD	500	315
	08	G 1/4 A	6	6	19	21	14.0	37.5	12	29	12	17	19	80	ET08LREDOMD	500	315
	10	G 1/4 A	8	6	19	22	15.0	40.0	12	30	14	19	19	98	ET10LREDOMD	500	315
	12	G 3/8 A	10	9	22	24	17.0	42.0	12	32	17	22	22	136	ET12LREDOMD	400	315
	15	G 1/2 A	12	11	27	28	21.0	46.5	14	36	19	27	27	224	ET15LREDOMD	400	315
	18	G 1/2 A	15	14	27	31	23.5	50.0	14	40	24	32	27	306	ET18LREDOMD	400	315
	22	G 3/4 A	19	18	32	35	27.5	55.0	16	44	27	36	32	423	ET22LREDOMD	250	160
	28	G 1 A	24	23	40	38	30.5	59.0	18	47	36	41	41	608	ET28LREDOMD	250	160
	35	G 1 1/4 A	30	30	50	45	34.5	68.5	20	56	41	50	50	920	ET35LREDOMD	250	160
	42	G 1 1/2 A	36	36	55	51	40.0	75.0	22	63	50	60	55	1466	ET42LREDOMD	250	160
S <sup>4)</sup>	06	G 1/4 A	4	4	19	23	16.0	40.0	12	31	12	17	19	98	ET06SREDOMD	800	630
	08	G 1/4 A	5	5	19	24	17.0	42.5	12	32	14	19	19	125	ET08SREDOMD	800	630
	10	G 3/8 A	6	7	22	25	17.5	45.0	12	34	17	22	22	169	ET10SREDOMD	800	630
	12	G 3/8 A	8	8	22	29	21.5	48.0	12	38	17	24	22	198	ET12SREDOMD	630	630
	14	G 1/2 A	9	10	27	30	22.0	54.0	14	40	19	27	27	287	ET14SREDOMD	630	630
	16	G 1/2 A	12	12	27	33	24.5	55.0	14	43	24	30	27	348	ET16SREDOMD	630	400
	20	G 3/4 A	16	16	32	37	26.5	65.0	16	48	27	36	32	498	ET20SREDOMD	420	400
	25	G 1 A	20	20	40	42	30.0	73.0	18	54	36	46	41	918	ET25SREDOMD	420	400
	30	G 1 1/4 A	25	25	50	49	35.5	78.5	20	62	41	50	50	1324	ET30SREDOMD	420	400
	38	G 1 1/2 A	32	32	55	57	41.0	89.0	22	72	50	60	55	2025	ET38SREDOMD	420	315

<sup>1)</sup> Pressure shown = item deliverable

<sup>3)</sup> L = light series; <sup>4)</sup> S = heavy series

$$\frac{\text{PN (bar)}}{10} = \text{PN (MPa)}$$

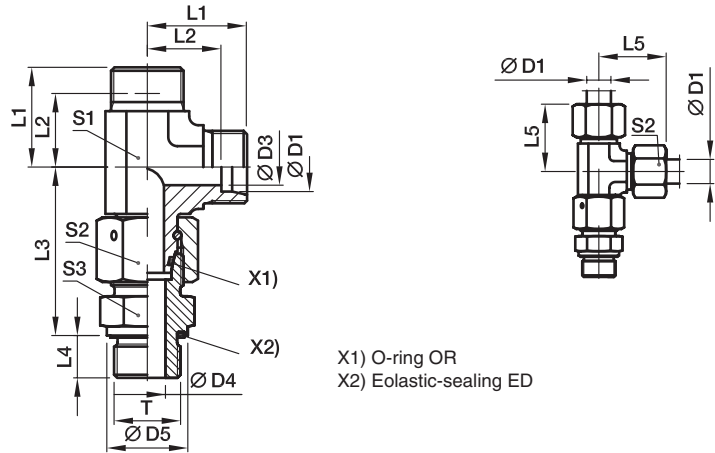
Delivery without nut and ring. Information on ordering complete fittings or alternative sealing materials see page 17.

\*Please add the **suffixes** below according to the material/surface required

Order code suffixes			
Material	Suffix surface and material	Example	Standard sealing material (no additional suffix needed)
Steel, zinc plated, Cr(VI)-free	CF	ET16SREDOMDCF	NBR
Stainless Steel	71	ET16SREDOMD71	VIT

## EL-M-ED Assembled adjustable swivel run tee

EO 24° cone end / Male metric thread – ED-seal (ISO 9974)



Series	D1	T	D3	D4	D5	L1	L2	L3	L4	L5	S1	S2	S3	Weight g/1 piece	Order code*	PN (bar) <sup>1)</sup>	
																CF	71
L <sup>3)</sup>	06	M 10×1	4	4	14	19	12.0	34.5	8	27	12	14	14	55	EL06LMEDOMD	500	315
	08	M 12×1.5	6	6	17	21	14.0	37.5	12	29	12	17	17	75	EL08LMEDOMD	500	315
	10	M 14×1.5	8	7	19	22	15.0	40.0	12	30	14	19	19	97	EL10LMEDOMD	500	315
	12	M 16×1.5	10	9	22	24	17.0	42.0	12	32	17	22	22	135	EL12LMEDOMD	400	315
	15	M 18×1.5	12	11	24	28	21.0	46.0	12	36	19	27	24	201	EL15LMEDOMD	400	315
	18	M 22×1.5	15	14	27	31	23.5	50.0	14	40	24	32	27	308	EL18LMEDOMD	400	315
	22	M 26×1.5	19	18	32	35	27.5	55.0	16	44	27	36	32	404	EL22LMEDOMD	250	160
	28	M 33×2	24	23	40	38	30.5	59.0	18	47	36	41	41	605	EL28LMEDOMD	250	160
	35	M 42×2	30	30	50	45	34.5	68.5	20	56	41	50	50	947	EL35LMEDOMD	250	160
	42	M 48×2	36	36	55	51	40.0	75.0	22	63	50	60	55	1497	EL42LMEDOMD	250	160
S <sup>4)</sup>	06	M 12×1.5	4	4	17	23	16.0	40.0	12	31	12	17	17	91	EL06SMEDOMD	800	630
	08	M 14×1.5	5	5	19	24	17.0	42.5	12	32	14	19	19	126	EL08SMEDOMD	800	630
	10	M 16×1.5	6	7	22	25	17.5	45.0	12	34	17	22	22	169	EL10SMEDOMD	800	630
	12	M 18×1.5	8	8	24	29	21.5	48.0	12	38	17	24	24	206	EL12SMEDOMD	630	630
	14	M 20×1.5	9	10	26	30	22.0	54.0	14	40	19	27	27	275	EL14SMEDOMD	630	630
	16	M 22×1.5	12	12	27	33	24.5	55.0	14	43	24	30	27	354	EL16SMEDOMD	630	400
	20	M 27×2	16	16	32	37	26.5	65.0	16	48	27	36	32	526	EL20SMEDOMD	420	400
	25	M 33×2	20	20	40	42	30.0	73.0	18	54	36	46	41	919	EL25SMEDOMD	420	400
	30	M 42×2	25	25	50	49	35.5	78.5	20	62	41	50	50	1328	EL30SMEDOMD	420	400
	38	M 48×2	32	32	55	57	41.0	89.0	22	72	50	60	55	2039	EL38SMEDOMD	420	315

<sup>1)</sup> Pressure shown = item deliverable

<sup>3)</sup> L = light series; <sup>4)</sup> S = heavy series

$$\frac{\text{PN (bar)}}{10} = \text{PN (MPa)}$$

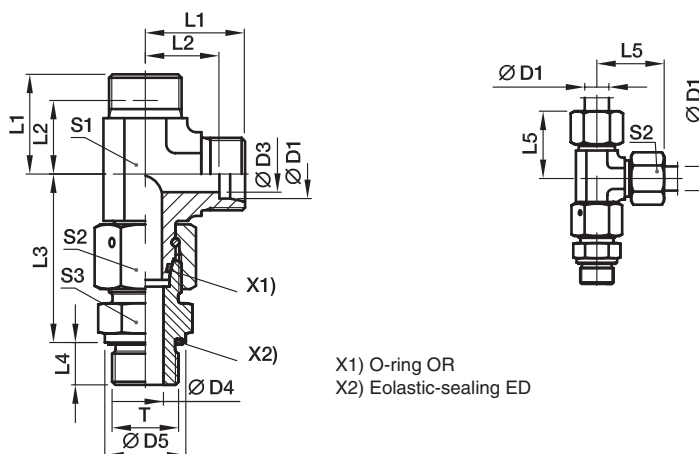
Delivery without nut and ring. Information on ordering complete fittings or alternative sealing materials see page 17.

\*Please add the **suffixes** below according to the material/surface required.

Order code suffixes			
Material	Suffix surface and material	Example	Standard sealing material (no additional suffix needed)
Steel, zinc plated, Cr(VI)-free	CF	EL16SMEDOMDCF	NBR
Stainless Steel	71	EL16SMEDOMD71	VIT

## EL-R-ED Assembled adjustable swivel run tee

EO 24° cone end / Male BSPP thread – ED-seal (ISO 1179)



Series	D1	T	D3	D4	D5	L1	L2	L3	L4	L5	S1	S2	S3	Weight g/1 piece	Order code*	PN (bar) <sup>1)</sup>	
																CF	71
L <sup>3)</sup>	06	G 1/8 A	4	4	14	19	12.0	34.5	8	27	12	14	14	55	EL06LREDOMD	500	315
	08	G 1/4 A	6	6	19	21	14.0	37.5	12	29	12	17	19	80	EL08LREDOMD	500	315
	10	G 1/4 A	8	6	19	22	15.0	40.0	12	30	14	19	19	97	EL10LREDOMD	500	315
	12	G 3/8 A	10	9	22	24	17.0	42.0	12	32	17	22	22	137	EL12LREDOMD	400	315
	15	G 1/2 A	12	11	27	28	21.0	46.5	14	36	19	27	27	222	EL15LREDOMD	400	315
	18	G 1/2 A	15	14	27	31	23.5	50.0	14	40	24	32	27	304	EL18LREDOMD	400	315
	22	G 3/4 A	19	18	32	35	27.5	55.0	16	44	27	36	32	404	EL22LREDOMD	250	160
	28	G 1 A	24	23	40	38	30.5	59.0	18	47	36	41	41	606	EL28LREDOMD	250	160
	35	G 1 1/4 A	30	30	50	45	34.5	68.5	20	56	41	50	50	938	EL35LREDOMD	250	160
	42	G 1 1/2 A	36	36	55	51	40.0	75.0	22	63	50	60	55	1485	EL42LREDOMD	250	160
S <sup>4)</sup>	06	G 1/4 A	4	4	19	23	16.0	40.0	12	31	12	17	19	97	EL06SREDOMD	800	630
	08	G 1/4 A	5	5	19	24	17.0	42.5	12	32	14	19	19	125	EL08SREDOMD	800	630
	10	G 3/8 A	6	7	22	25	17.5	45.0	12	34	17	22	22	171	EL10SREDOMD	800	630
	12	G 3/8 A	8	8	22	29	21.5	48.0	12	38	17	24	22	198	EL12SREDOMD	630	630
	14	G 1/2 A	9	10	27	30	22.0	54.0	14	40	19	27	27	269	EL14SREDOMD	630	630
	16	G 1/2 A	12	12	27	33	24.5	55.0	14	43	24	30	27	350	EL16SREDOMD	630	400
	20	G 3/4 A	16	16	32	37	26.5	65.0	16	48	27	36	32	524	EL20SREDOMD	420	400
	25	G 1 A	20	20	40	42	30.0	73.0	18	54	36	46	41	921	EL25SREDOMD	420	400
	30	G 1 1/4 A	25	25	50	49	35.5	78.5	20	62	41	50	50	1324	EL30SREDOMD	420	400
	38	G 1 1/2 A	32	32	55	57	41.0	89.0	22	72	50	60	55	2033	EL38SREDOMD	420	315

<sup>1)</sup> Pressure shown = item deliverable

<sup>3)</sup> L = light series; <sup>4)</sup> S = heavy series

$\frac{\text{PN (bar)}}{10} = \text{PN (MPa)}$

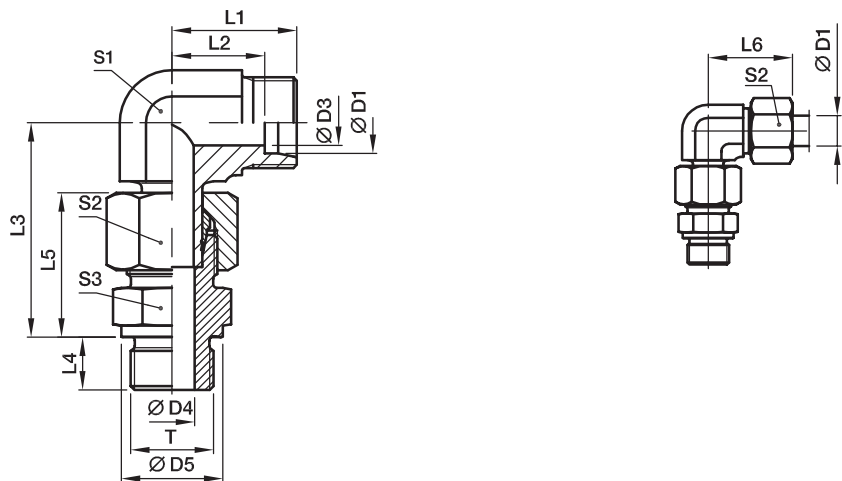
Delivery without nut and ring. Information on ordering complete fittings or alternative sealing materials see page 17.

\*Please add the **suffixes** below according to the material/surface required.

Order code suffixes			
Material	Suffix surface and material	Example	Standard sealing material (no additional suffix needed)
Steel, zinc plated, Cr(VI)-free	CF	EL16SREDOMDCF	NBR
Stainless Steel	71	EL16SREDOMD71	VIT

## EVW-M Assembled adjustable standpipe elbow

EO 24° cone end / Male metric thread – metal sealing edge (ISO 9974)



Pre-assembled, complete with straight male stud connector (with cutting face DIN 3852, type B). Final assembly (in appropriate body) at least 1/4 turn beyond the point of clearly perceptible resistance.

Series	D1	T	D3	D4	D5	L1	L2	L3	L4	L5	L6	S1	S2	S3	Weight g/1 piece	Order code*	PN (bar) <sup>1)</sup>	
																	CF	71
L <sup>3)</sup>	06	M 10×1	4	4	14	19	12.0	34.5	8	23	27	12	14	14	41	EVW06LMOMD	315	315
	08	M 12×1.5	6	6	17	21	14.0	37.5	12	25	29	12	17	17	63	EVW08LMOMD	315	315
	10	M 14×1.5	8	7	19	22	15.0	40.0	12	26	30	14	19	19	83	EVW10LMOMD	315	315
	12	M 16×1.5	10	9	21	24	17.0	42.0	12	27	32	17	22	22	107	EVW12LMOMD	315	315
	15	M 18×1.5	12	11	23	28	21.0	46.0	12	29	36	19	27	24	170	EVW15LMOMD	250	250
	18	M 22×1.5	15	14	27	31	23.5	50.0	14	31	40	24	32	27	265	EVW18LMOMD	250	250
	22	M 26×1.5	19	18	31	35	27.5	55.0	16	33	44	27	36	32	355	EVW22LMOMD	160	160
	28	M 33×2	24	23	39	38	30.5	59.5	18	34	47	36	41	41	514	EVW28LMOMD	160	160
	35	M 42×2	30	30	49	45	34.5	68.5	20	39	56	41	50	50	791	EVW35LMOMD	160	160
	42	M 48×2	36	36	55	51	40.0	79.0	22	42	63	50	60	55	1153	EVW42LMOMD	160	160
S <sup>4)</sup>	06	M 12×1.5	4	4	17	23	16.0	40.0	12	28	31	12	17	17	73	EVW06SMOMD	400	400
	08	M 14×1.5	5	5	19	24	17.0	42.5	12	30	32	14	19	19	100	EVW08SMOMD	400	400
	10	M 16×1.5	7	7	21	25	17.5	46.0	12	31	34	17	22	22	133	EVW10SMOMD	400	400
	12	M 18×1.5	8	8	23	29	21.5	48.0	12	33	38	17	24	24	174	EVW12SMOMD	400	400
	14	M 20×1.5	10	10	25	30	22.0	54.0	14	37	40	19	27	27	229	EVW14SMOMD	400	400
	16	M 22×1.5	12	12	27	33	24.5	56.0	14	37	43	24	30	27	309	EVW16SMOMD	400	400
	20	M 27×2	16	16	32	37	26.5	65.0	16	42	48	27	36	32	429	EVW20SMOMD	400	400
	25	M 33×2	20	20	39	42	30.0	73.0	18	47	54	36	46	41	826	EVW25SMOMD	250	250
	30	M 42×2	25	25	49	49	35.5	78.5	20	50	62	41	50	50	1132	EVW30SMOMD	160	160
	38	M 48×2	32	32	55	57	41.0	92.5	22	57	72	50	60	55	1874	EVW38SMOMD	160	160

<sup>1)</sup> Pressure shown = item deliverable

<sup>3)</sup> L = light series; <sup>4)</sup> S = heavy series

$$\frac{\text{PN (bar)}}{10} = \text{PN (MPa)}$$

Delivery without nut and ring. Information on ordering complete fittings see page 17.

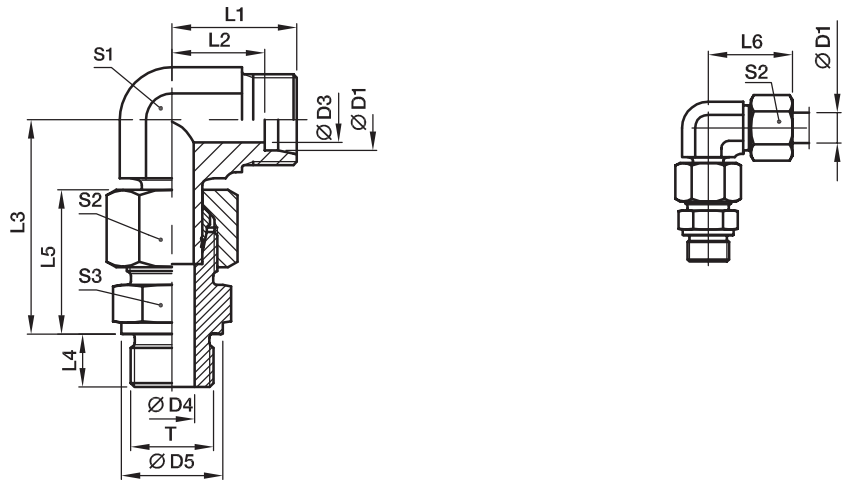
\*Please add the **suffixes** below according to the material/surface required.

Order code suffixes		
Material	Suffix surface and material	Example
Steel, zinc plated, Cr(VI)-free	CF	EVW16SMOMDCF
Stainless Steel	71	EVW16SMOMD71



## EVW-R Assembled adjustable standpipe elbow

EO 24° cone end / Male BSPP thread – metal sealing edge (ISO 1179)



Pre-assembled, complete with straight male stud connector (with cutting face DIN 3852, type B). Final assembly (in appropriate body) at least 1/4 turn beyond the point of clearly perceptible resistance.

Series	D1	T	D3	D4	D5	L1	L2	L3	L4	L5	L6	S1	S2	S3	Weight g/1 piece	Order code*	PN (bar) <sup>1)</sup>	
																	CF	71
L <sup>3)</sup>	06	G 1/8 A	4	4	14	19	12.0	34.5	8	23	27	12	14	14	47	EVW06LROMD	315	315
	08	G 1/4 A	6	6	18	21	14.0	37.5	12	25	29	12	17	19	68	EVW08LROMD	315	315
	10	G 1/4 A	8	6	18	22	15.0	40.0	12	26	30	14	19	19	84	EVW10LROMD	315	315
	12	G 3/8 A	10	9	22	24	17.0	42.0	12	27	32	17	22	22	118	EVW12LROMD	315	315
	15	G 1/2 A	12	11	26	28	21.0	46.5	14	29	36	19	27	27	191	EVW15LROMD	250	250
	18	G 1/2 A	15	14	26	31	23.5	50.0	14	31	40	24	32	27	260	EVW18LROMD	250	250
	22	G 3/4 A	19	18	32	35	27.5	55.0	16	33	44	27	36	32	355	EVW22LROMD	160	160
	28	G 1 A	24	23	39	38	30.5	59.5	18	34	47	36	41	41	542	EVW28LROMD	160	160
	35	G 1 1/4 A	30	30	49	45	34.5	68.5	20	39	56	41	50	50	832	EVW35LROMD	160	160
	42	G 1 1/2 A	36	36	55	51	40.0	79.0	22	42	63	50	60	55	1303	EVW42LROMD	160	160
S <sup>4)</sup>	06	G 1/4 A	4	4	18	23	16.0	40.0	12	28	31	12	17	19	79	EVW06SROMD	400	400
	08	G 1/4 A	5	5	18	24	17.0	42.5	12	30	32	14	19	19	98	EVW08SROMD	400	400
	10	G 3/8 A	7	7	22	25	17.5	46.0	12	31	34	17	22	22	148	EVW10SROMD	400	400
	12	G 3/8 A	8	8	22	29	21.5	48.0	12	33	38	17	24	22	169	EVW12SROMD	400	400
	14	G 1/2 A	10	10	26	30	22.0	54.0	14	37	40	19	27	27	230	EVW14SROMD	400	400
	16	G 1/2 A	12	12	26	33	24.5	56.0	14	37	43	24	30	27	304	EVW16SROMD	400	400
	20	G 3/4 A	16	16	32	37	26.5	65.0	16	42	48	27	36	32	428	EVW20SROMD	400	400
	25	G 1 A	20	20	39	42	30.0	73.0	18	47	54	36	46	41	825	EVW25SROMD	250	250
	30	G 1 1/4 A	25	25	49	49	35.5	78.5	20	50	62	41	50	50	1134	EVW30SROMD	160	160
	38	G 1 1/2 A	32	32	55	57	41.0	92.5	22	57	72	50	60	55	1713	EVW38SROMD	160	160

<sup>1)</sup> Pressure shown = item deliverable

<sup>3)</sup> L = light series; <sup>4)</sup> S = heavy series

$\frac{\text{PN (bar)}}{10} = \text{PN (MPa)}$

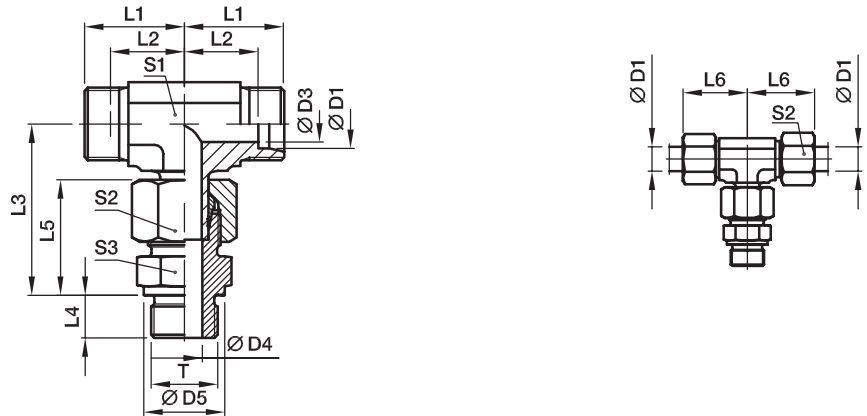
Delivery without nut and ring. Information on ordering complete fittings see page 17.

\*Please add the **suffixes** below according to the material/surface required.

Order code suffixes		
Material	Suffix surface and material	Example
Steel, zinc plated, Cr(VI)-free	CF	EVW16SROMDCF
Stainless Steel	71	EVW16SROMD71

## EVT-M Assembled adjustable standpipe branch tee

EO 24° cone end / Male metric thread – metal sealing edge (ISO 9974)



Pre-assembled, complete with straight male stud connector (with cutting face). Final assembly (in appropriate body) at least 1/4 turn beyond the point of clearly perceptible resistance.

Series	D1	T	D3	D4	D5	L1	L2	L3	L4	L5	L6	S1	S2	S3	Weight g/1 piece	Order code*	PN (bar) <sup>1)</sup>	
																	CF	71
L <sup>3)</sup>	06	M 10×1	4	4	14	19	12.0	34.5	8	23	27	12	14	14	48	EVT06LMOMD	315	315
	08	M 12×1.5	6	6	17	21	14.0	37.5	12	25	29	12	17	17	68	EVT08LMOMD	315	315
	10	M 14×1.5	8	7	19	22	15.0	40.0	12	26	30	14	19	19	88	EVT10LMOMD	315	315
	12	M 16×1.5	10	9	21	24	17.0	43.0	12	27	32	17	22	22	116	EVT12LMOMD	315	315
	15	M 18×1.5	12	11	23	28	21.0	46.0	12	29	36	19	27	24	185	EVT15LMOMD	250	250
	18	M 22×1.5	15	14	27	31	23.5	50.0	14	31	40	24	32	27	272	EVT18LMOMD	250	250
	22	M 26×1.5	19	18	31	35	27.5	55.5	16	33	44	27	36	32	367	EVT22LMOMD	160	160
	28	M 33×2	24	23	39	38	30.5	61.0	18	34	47	36	41	41	565	EVT28LMOMD	160	160
	35	M 42×2	30	30	49	45	34.5	72.0	20	39	56	41	50	50	905	EVT35LMOMD	160	160
	42	M 48×2	36	36	55	51	40.0	79.0	22	42	63	50	60	55	1282	EVT42LMOMD	160	160
S <sup>4)</sup>	06	M 12×1.5	4	4	17	23	16.0	40.0	12	28	31	12	17	17	85	EVT06SMOMD	400	400
	08	M 14×1.5	5	5	19	24	17.0	44.0	12	30	32	14	19	19	118	EVT08SMOMD	400	400
	10	M 16×1.5	7	7	21	25	17.5	47.0	12	31	34	17	22	22	149	EVT10SMOMD	400	400
	12	M 18×1.5	8	8	23	29	21.5	50.0	12	33	38	17	24	24	200	EVT12SMOMD	400	400
	14	M 20×1.5	10	10	25	30	22.0	54.0	14	37	40	19	27	27	264	EVT14SMOMD	400	400
	16	M 22×1.5	12	12	27	33	24.5	55.0	14	37	43	24	30	27	327	EVT16SMOMD	400	400
	20	M 27×2	16	16	32	37	26.5	65.0	16	42	48	27	36	32	482	EVT20SMOMD	400	400
	25	M 33×2	20	20	39	42	30.0	73.5	18	47	54	36	46	41	906	EVT25SMOMD	250	250
	30	M 42×2	25	25	49	49	35.5	80.0	20	50	62	41	50	50	1274	EVT30SMOMD	160	160
	38	M 48×2	32	32	55	57	41.0	92.5	22	57	72	50	60	55	1928	EVT38SMOMD	160	160

<sup>1)</sup> Pressure shown = item deliverable

<sup>3)</sup> L = light series; <sup>4)</sup> S = heavy series

$$\frac{\text{PN (bar)}}{10} = \text{PN (MPa)}$$

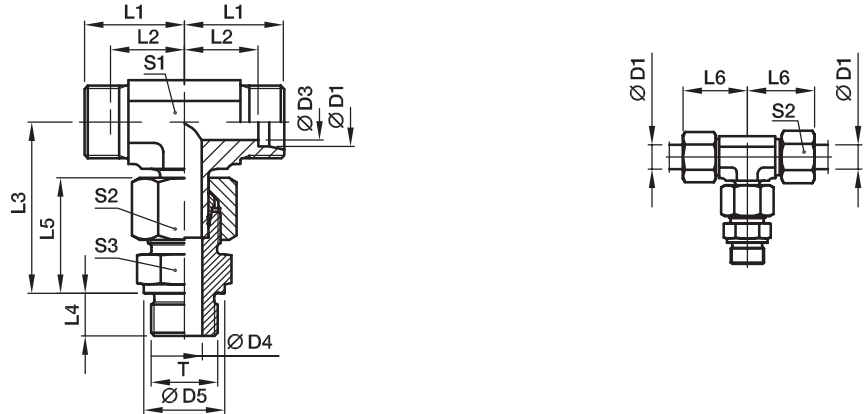
Delivery without nut and ring. Information on ordering complete fittings see page I7.

\*Please add the **suffixes** below according to the material/surface required.

Order code suffixes		
Material	Suffix surface and material	Example
Steel, zinc plated, Cr(VI)-free	CF	EVT16SMOMDCF
Stainless Steel	71	EVT16SMOMD71

## EVT-R Assembled adjustable standpipe branch tee

EO 24° cone end / Male BSPP thread – metal sealing edge (ISO 1179)



Pre-assembled, complete with straight male stud connector (with cutting face). Final assembly (in appropriate body) at least 1/4 turn beyond the point of clearly perceptible resistance.

Series	D1	T	D3	D4	D5	L1	L2	L3	L4	L5	L6	S1	S2	S3	Weight g/1 piece	Order code*	PN (bar) <sup>1)</sup>	
																	CF	71
L <sup>3)</sup>	06	G 1/8 A	4	4	14	19	12.0	34.5	8	23	27	12	14	14	48	EVT06LROMD	315	315
	08	G 1/4 A	6	6	18	21	14.0	37.5	12	25	29	12	17	19	73	EVT08LROMD	315	315
	10	G 1/4 A	8	6	18	22	15.0	40.0	12	26	30	14	19	19	85	EVT10LROMD	315	315
	12	G 3/8 A	10	9	22	24	17.0	43.0	12	27	32	17	22	22	118	EVT12LROMD	315	315
	15	G 1/2 A	12	11	26	28	21.0	46.5	14	29	36	19	27	27	206	EVT15LROMD	250	250
	18	G 1/2 A	15	14	26	31	23.5	50.0	14	31	40	24	32	27	267	EVT18LROMD	250	250
	22	G 3/4 A	19	18	32	35	27.5	55.5	16	33	44	27	36	32	367	EVT22LROMD	160	160
	28	G 1 A	24	23	39	38	30.5	61.0	18	34	47	36	41	41	565	EVT28LROMD	160	160
	35	G 1 1/4 A	30	30	49	45	34.5	72.0	20	39	56	41	50	50	901	EVT35LROMD	160	160
	42	G 1 1/2 A	36	36	55	51	40.0	79.0	22	42	63	50	60	55	1277	EVT42LROMD	160	160
S <sup>4)</sup>	06	G 1/4 A	4	4	18	23	16.0	40.0	12	28	31	12	17	19	90	EVT06SROMD	400	400
	08	G 1/4 A	5	5	18	24	17.0	44.0	12	30	32	14	19	19	116	EVT08SROMD	400	400
	10	G 3/8 A	7	7	22	25	17.5	47.0	12	31	34	17	22	22	151	EVT10SROMD	400	400
	12	G 3/8 A	8	8	22	29	21.5	50.0	12	33	38	17	24	22	190	EVT12SROMD	400	400
	14	G 1/2 A	10	10	26	30	22.0	54.0	14	37	40	19	27	27	265	EVT14SROMD	400	400
	16	G 1/2 A	12	12	26	33	24.5	55.0	14	37	43	24	30	27	322	EVT16SROMD	400	400
	20	G 3/4 A	16	16	32	37	26.5	65.0	16	42	48	27	36	32	500	EVT20SROMD	400	400
	25	G 1 A	20	20	39	42	30.0	73.5	18	47	54	36	46	41	905	EVT25SROMD	250	250
	30	G 1 1/4 A	25	25	49	49	35.5	80.0	20	50	62	41	50	50	1275	EVT30SROMD	160	160
	38	G 1 1/2 A	32	32	55	57	41.0	92.5	22	57	72	50	60	55	1920	EVT38SROMD	160	160

<sup>1)</sup> Pressure shown = item deliverable

<sup>3)</sup> L = light series; <sup>4)</sup> S = heavy series

$$\frac{\text{PN (bar)}}{10} = \text{PN (MPa)}$$

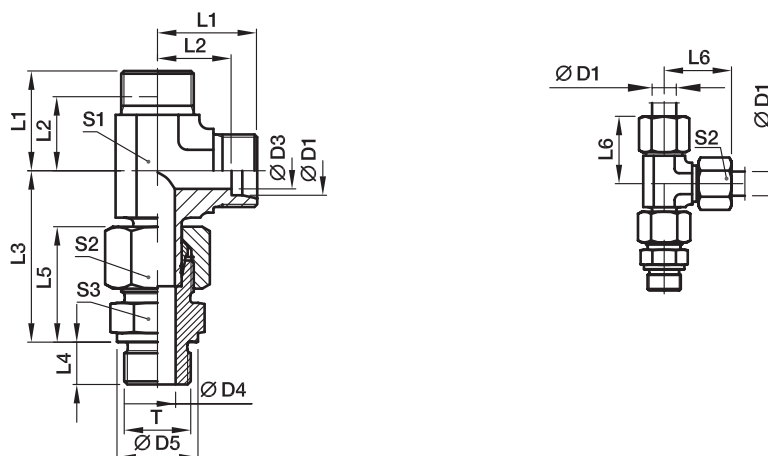
Delivery without nut and ring. Information on ordering complete fittings see page 17.

\*Please add the **suffixes** below according to the material/surface required.

Order code suffixes		
Material	Suffix surface and material	Example
Steel, zinc plated, Cr(VI)-free	CF	EVT16SROMDCF
Stainless Steel	71	EVT16SROMD71

## EVL-M Assembled adjustable standpipe run tee

EO 24° cone end / Male metric thread – metal sealing edge (ISO 9974)



Pre-assembled, complete with straight male stud connector (with cutting face). Final assembly (in appropriate body) at least 1/4 turn beyond the point of clearly perceptible resistance.

Series	D1	T	D3	D4	D5	L1	L2	L3	L4	L5	L6	S1	S2	S3	Weight g/1 piece	Order code*	PN (bar) <sup>1)</sup>	
																	CF	71
L <sup>3)</sup>	06	M 10×1	4	4	14	19	12.0	34.5	8	23	27	12	14	14	48	EVL06LMOMD	315	315
	08	M 12×1.5	6	6	17	21	14.0	37.5	12	25	29	12	17	17	73	EVL08LMOMD	315	315
	10	M 14×1.5	8	7	19	22	15.0	40.0	12	26	30	14	19	19	89	EVL10LMOMD	315	315
	12	M 16×1.5	10	9	21	24	17.0	43.0	12	27	32	17	22	22	118	EVL12LMOMD	315	315
	15	M 18×1.5	12	11	23	28	21.0	46.0	12	29	36	19	27	24	186	EVL15LMOMD	250	250
	18	M 22×1.5	15	14	27	31	23.5	50.0	14	31	40	24	32	27	269	EVL18LMOMD	250	250
	22	M 26×1.5	19	18	31	35	27.5	55.5	16	33	44	27	36	32	364	EVL22LMOMD	160	160
	28	M 33×2	24	23	39	38	30.5	61.0	18	34	47	36	41	41	556	EVL28LMOMD	160	160
	35	M 42×2	30	30	49	45	34.5	72.0	20	39	56	41	50	50	900	EVL35LMOMD	160	160
	42	M 48×2	36	36	55	51	40.0	79.0	22	42	63	50	60	55	1323	EVL42LMOMD	160	160
S <sup>4)</sup>	06	M 12×1.5	4	4	17	23	16.0	40.0	12	28	31	12	17	17	85	EVL06SMOMD	400	400
	08	M 14×1.5	5	5	19	24	17.0	44.0	12	30	32	14	19	19	119	EVL08SMOMD	400	400
	10	M 16×1.5	7	7	21	25	17.5	47.0	12	31	34	17	22	22	151	EVL10SMOMD	400	400
	12	M 18×1.5	8	8	23	29	21.5	50.0	12	33	38	17	24	24	202	EVL12SMOMD	400	400
	14	M 20×1.5	10	10	25	30	22.0	54.0	14	37	40	19	27	27	264	EVL14SMOMD	400	400
	16	M 22×1.5	12	12	27	33	24.5	56.0	14	37	43	24	30	27	326	EVL16SMOMD	400	400
	20	M 27×2	16	16	32	37	26.5	65.0	16	42	48	27	36	32	481	EVL20SMOMD	400	400
	25	M 33×2	20	20	39	42	30.0	73.5	18	47	54	36	46	41	904	EVL25SMOMD	250	250
	30	M 42×2	25	25	49	49	35.5	80.0	20	50	62	41	50	50	1263	EVL30SMOMD	160	160
	38	M 48×2	32	32	55	57	41.0	92.5	22	57	72	50	60	55	1936	EVL38SMOMD	160	160

<sup>1)</sup> Pressure shown = item deliverable

<sup>3)</sup> L = light series; <sup>4)</sup> S = heavy series

$$\frac{\text{PN (bar)}}{10} = \text{PN (MPa)}$$

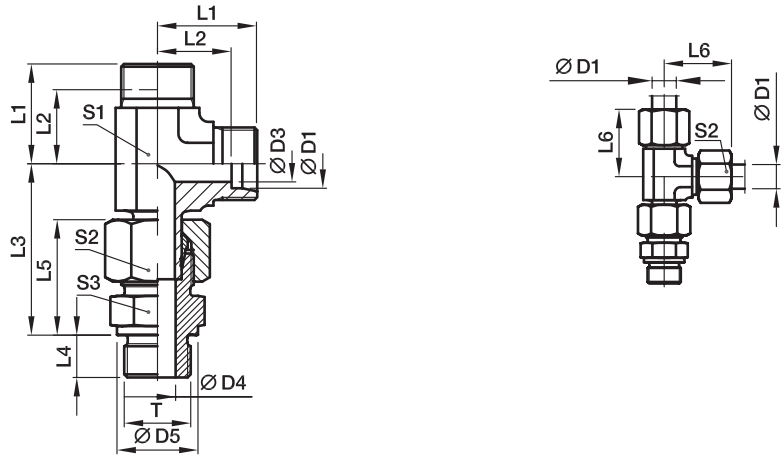
Delivery without nut and ring. Information on ordering complete fittings see page I7.

\*Please add the **suffixes** below according to the material/surface required.

Order code suffixes		
Material	Suffix surface and material	Example
Steel, zinc plated, Cr(VI)-free	CF	EVL16SMOMDCF
Stainless Steel	71	EVL16SMOMD71

## EVL-R Assembled adjustable standpipe run tee

EO 24° cone end / Male BSPP thread – metal sealing edge (ISO 1179)



Pre-assembled, complete with straight male stud connector (with cutting face). Final assembly (in appropriate body) at least 1/4 turn beyond the point of clearly perceptible resistance.

Series	D1	T	D3	D4	D5	L1	L2	L3	L4	L5	L6	S1	S2	S3	Weight g/1 piece	Order code*	PN (bar) <sup>1)</sup>	
																	CF	71
L <sup>3)</sup>	06	G 1/8 A	4	4	14	19	12.0	34.5	8	23	27	12	14	14	48	EVL06LROMD	315	315
	08	G 1/4 A	6	6	18	21	14.0	37.5	12	25	29	12	17	19	73	EVL08LROMD	315	315
	10	G 1/4 A	8	6	18	22	15.0	40.0	12	26	30	14	19	19	87	EVL10LROMD	315	315
	12	G 3/8 A	10	9	22	24	17.0	43.0	12	27	32	17	22	22	120	EVL12LROMD	315	315
	15	G 1/2 A	12	11	26	28	21.0	46.5	14	29	36	19	27	27	207	EVL15LROMD	250	250
	18	G 1/2 A	15	14	26	31	23.5	50.0	14	31	40	24	32	27	264	EVL18LROMD	250	250
	22	G 3/4 A	19	18	32	35	27.5	55.5	16	33	44	27	36	32	365	EVL22LROMD	160	160
	28	G 1 A	24	23	39	38	30.5	61.0	18	34	47	36	41	41	556	EVL28LROMD	160	160
	35	G 1 1/4 A	30	30	49	45	34.5	72.0	20	39	56	41	50	50	895	EVL35LROMD	160	160
	42	G 1 1/2 A	36	36	55	51	40.0	79.0	22	42	63	50	60	55	1318	EVL42LROMD	160	160
S <sup>4)</sup>	06	G 1/4 A	4	4	18	23	16.0	40.0	12	28	31	12	17	19	90	EVL06SROMD	400	400
	08	G 1/4 A	5	5	18	24	17.0	44.0	12	30	32	14	19	19	117	EVL08SROMD	400	400
	10	G 3/8 A	7	7	22	25	17.5	47.0	12	31	34	17	22	22	153	EVL10SROMD	400	400
	12	G 3/8 A	8	8	22	29	21.5	50.0	12	33	38	17	24	22	192	EVL12SROMD	400	400
	14	G 1/2 A	10	10	26	30	22.0	54.0	14	37	40	19	27	27	266	EVL14SROMD	400	400
	16	G 1/2 A	12	12	26	33	24.5	56.0	14	37	43	24	30	27	321	EVL16SROMD	400	400
	20	G 3/4 A	16	16	32	37	26.5	65.0	16	42	48	27	36	32	480	EVL20SROMD	400	400
	25	G 1 A	20	20	39	42	30.0	73.5	18	47	54	36	46	41	903	EVL25SROMD	250	250
	30	G 1 1/4 A	25	25	49	49	35.5	80.0	20	50	62	41	50	50	1265	EVL30SROMD	160	160
	38	G 1 1/2 A	32	32	55	57	41.0	92.5	22	57	72	50	60	55	1928	EVL38SROMD	160	160

<sup>1)</sup> Pressure shown = item deliverable

<sup>3)</sup> L = light series; <sup>4)</sup> S = heavy series

$$\frac{\text{PN (bar)}}{10} = \text{PN (MPa)}$$

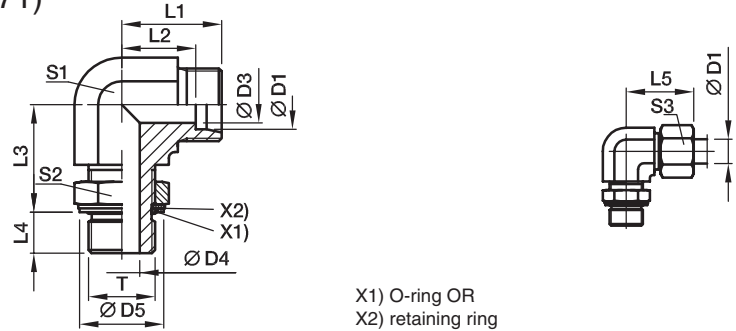
Delivery without nut and ring. Information on ordering complete fittings see page 17.

\*Please add the **suffixes** below according to the material/surface required.

Order code suffixes		
Material	Suffix surface and material	Example
Steel, zinc plated, Cr(VI)-free	CF	EVL16SROMDCF
Stainless Steel	71	EVL16SROMD71

## WEE-R Adjustable locknut elbow

EO 24° cone end / Adjustable BSPP thread – O-ring + retaining ring (ISO 1179)  
 for ports with small or wide spot face;  
 differences in D5 in Stainless Steel are only for ports with wide spot face  
 (e.g. WEE16SRBOMD71)



Series	D1	T	D3	D4	D5 <sup>5)</sup>	D5 <sup>6)</sup>	L1	L2	L3	L4	L5	S1	S2	S3	Weight g/1 piece	Order code*	PN (bar) <sup>1)</sup>	
																	CF	71
LL <sup>2)</sup>	04	G 1/8A	3.0	4.5	15		15	11.3	20	7.1	21	11	14	10	27	WEE04LLROMD	250	
	06	G 1/8A	4.5	4.5	15		15	11.3	20	7.1	21	11	14	12	27	WEE06LLROMD	250	
L <sup>3)</sup>	06	G 1/8A	4.0	4.5	15	15.0	21	14.0	19	7.0	29	14	14	14	40	WEE06LROMD	315	315
	08	G 1/4A	6.0	7.5	20	19.5	23	16.0	23	9.0	31	14	19	17	59	WEE08LROMD	315	315
	10	G 1/4A	8.0	7.5	20	19.5	24	17.0	25	9.0	32	19	19	19	82	WEE10LROMD	315	315
	12	G 3/8A	10.0	10.0	23	23.5	26	19.0	28	9.0	34	19	22	22	96	WEE12LROMD	250	250
	15	G 1/2A	12.0	12.5	28	28.5	28	21.0	30	13.0	36	22	27	27	149	WEE15LROMD	250	250
	18	G 1/2A	15.0	12.5	28	28.5	31	24.0	36	13.0	40	27	27	32	221	WEE18LROMD	250	250
	22	G 3/4A	19.0	15.5	33	34.5	35	28.0	36	13.0	44	30	36	36	310	WEE22LROMD	160	160
	28	G 1A	24.0	21.5	41	43.5	38	31.0	44	15.0	47	36	41	41	455	WEE28LROMD	160	160
	35	G 1 1/4A	30.0	27.5	51	52.5	48	38.0	50	15.0	59	50	50	50	1043	WEE35LROMD	160	160
	42	G 1 1/2A	36.0	33.0	56	60.0	49	38.0	52	15.0	61	50	55	60	994	WEE42LROMD	160	160
S <sup>4)</sup>	06	G 1/4A	4.0	7.5	20	19.5	22	15.0	23	9.0	30	14	19	17	56	WEE06SROMD	315	315
	08	G 1/4A	5.0	7.5	20	19.5	24	17.0	27	9.0	32	19	19	19	88	WEE08SROMD	315	315
	10	G 3/8A	7.0	10.0	23	23.5	25	18.0	29	9.0	34	19	22	22	98	WEE10SROMD	250	250
	12	G 3/8A	8.0	10.0	23	23.5	29	22.0	29	9.0	38	22	22	24	128	WEE12SROMD	250	250
	16	G 1/2A	12.0	12.5	28	28.5	33	25.0	36	13.0	43	27	27	30	234	WEE16SROMD	250	250
	20	G 3/4A	16.0	15.5	33	34.5	38	28.0	39	12.0	49	30	36	36	344	WEE20SROMD	250	250
	25	G 1A	20.0	21.5	41	43.5	42	30.0	44	14.0	54	36	41	46	533	WEE25SROMD	250	250
	30	G 1 1/4A	25.0	27.5	51	52.5	49	36.0	49	15.0	62	50	50	50	1085	WEE30SROMD	160	160
38	G 1 1/2A	32.0	33.0	56	60.0	50	34.0	55	15.0	65	50	55	60	1116	WEE38SROMD	160	160	

<sup>1)</sup> Pressure shown = item deliverable

<sup>2)</sup> LL = very light series; <sup>3)</sup> L = light series; <sup>4)</sup> S = heavy series

$$\frac{\text{PN (bar)}}{10} = \text{PN (MPa)}$$

Delivery without nut and ring. Information on ordering complete fittings or alternative sealing materials see page 17.

<sup>5)</sup> Steel; <sup>6)</sup> Stainless Steel

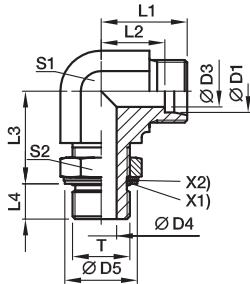
\*Please add the **suffixes** below according to the material/surface required.

Order code suffixes			
Material	Suffix surface and material	Example	Standard sealing material (no additional suffix needed)
Steel, zinc plated, Cr(VI)-free	CF	WEE16SROMDCF	NBR
Stainless Steel	71	WEE16SRBOMD71	VIT

## Adjustable locknut elbow, branch tee, run tee or 45° elbow

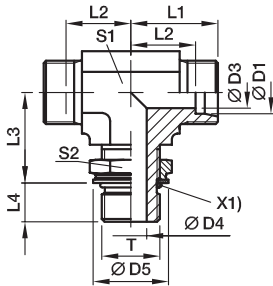
On customer request!

### WEE Adjustable locknut elbow EO 24° cone end/Adjustable thread



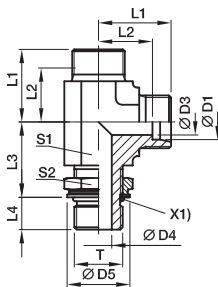
T	Order code	Surface
metric thread – O-ring + retaining ring	WEE...MOMD	CF
metric thread – O-ring (ISO 6149)	WEE...MOROMD	CF
UN/UNF thread – O-ring (ISO 11926)	WEE...UNFOMD	CF

### TEE Adjustable locknut branch tee EO 24° cone end/Adjustable thread



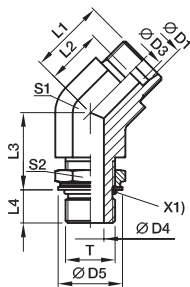
T	Order code	Surface
metric thread – O-ring + retaining ring	TEE...MOMD	CF
metric thread – O-ring (ISO 6149)	TEE...MOROMD	CF
UN/UNF thread – O-ring (ISO 11926)	TEE...UNFOMD	CF
BSPP thread – O-ring + retaining ring (ISO 1179)	TEE...ROMD	CF

### LEE Adjustable locknut run tee EO 24° cone end/Adjustable thread



T	Order code	Surface
metric thread – O-ring + retaining ring	LEE...MOMD	CF
metric thread – O-ring (ISO 6149)	LEE...MOROMD	CF
UN/UNF thread – O-ring (ISO 11926)	LEE...UNFOMD	CF
BSPP thread – O-ring + retaining ring (ISO 1179)	LEE...ROMD	CF

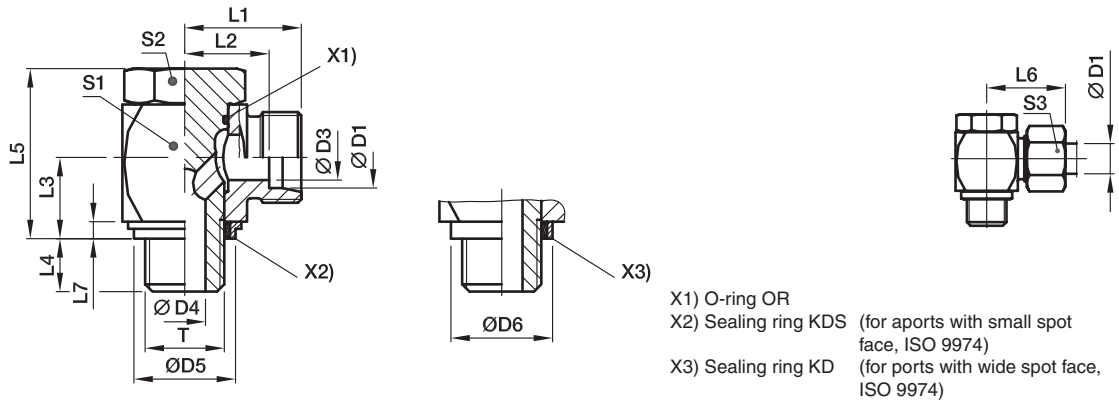
### VEE Adjustable locknut 45° elbow EO 24° cone end/Adjustable thread



T	Order code	Surface
metric thread – O-ring + retaining ring	VEE...MOMD	CF
metric thread – O-ring (ISO 6149)	VEE...MOROMD	CF
UN/UNF thread – O-ring (ISO 11926)	VEE...UNFOMD	CF
BSPP thread – O-ring + retaining ring (ISO 1179)	VEE...ROMD	CF

## WH-M-KDS High pressure banjo elbow

EO 24° cone end / Male metric thread with soft seal ring



- X1) O-ring OR
- X2) Sealing ring KDS (for aperts with small spot face, ISO 9974)
- X3) Sealing ring KD (for ports with wide spot face, ISO 9974)

Series	D1	T	D3	D4	D5 KDS	D6 KD	L1	L2	L3	L4	L5	L6	L7	S1	S2	S3	Weight g/1 piece	Order code*	PN (bar) <sup>1)</sup>	
																			CF	71
L <sup>3)</sup>	06	M10×1	4	4.5	14.9	17.0	19.0	12.0	10.5	8	24.0	27	2.5	17	17	14	54	WH06LMKDSOMD	315	315
	08	M12×1.5	6	6.0	17.0	22.0	21.5	14.5	14.0	12	30.0	29	3.0	22	19	17	97	WH08LMKDSOMD	315	315
	10	M14×1.5	8	6.0	18.9	22.5	22.5	15.5	14.0	12	30.0	30	3.0	22	19	19	104	WH10LMKDSOMD	315	315
	12	M16×1.5	10	7.5	21.9	27.0	25.0	18.0	16.5	12	36.0	33	3.0	27	24	22	180	WH12LMKDSOMD	315	315
	15	M18×1.5	11	9.0	23.9	29.0	27.5	21.5	18.5	12	39.5	37	3.0	30	30	27	244	WH15LMKDSOMD	315	315
	18	M22×1.5	15	12.0	26.9	32.0	28.5	21.0	21.5	14	45.0	37	4.5	32	30	32	327	WH18LMKDSOMD	315	315
	22	M26×1.5	19	17.0	31.9	41.0	35.0	27.5	24.0	16	53.0	44	3.5	41	36	36	573	WH22LMKDSOMD	160	160
	28	M33×2	24	21.0	39.9	46.0	39.5	32.0	30.5	18	66.0	49	3.5	50	46	41	1017	WH28LMKDSOMD	160	160
	35	M42×2	30	27.0	49.9	57.0	46.5	36.0	35.5	20	76.0	58	3.5	60	55	50	1512	WH35LMKDSOMD	160	160
	42	M48×2	36	34.0	55.9	64.0	51.5	40.5	40.5	22	87.0	63	3.5	70	60	60	2217	WH42LMKDSOMD	160	160
S <sup>4)</sup>	06	M12×1.5	4	6.0	17.0	22.0	23.5	16.5	14.0	12	30.0	31	3.0	22	19	17	104	WH06SMKDSOMD	400	400
	08	M14×1.5	5	6.0	18.9	22.5	23.5	16.5	14.0	12	30.0	31	3.0	22	19	19	110	WH08SMKDSOMD	400	400
	10	M16×1.5	7	7.5	21.9	27.0	26.0	18.5	16.5	12	36.0	35	3.0	27	24	22	186	WH10SMKDSOMD	400	400
	12	M18×1.5	8	9.0	23.9	29.0	27.5	20.0	18.5	12	39.5	36	3.0	27	27	24	246	WH12SMKDSOMD	400	400
	14	M20×1.5	10	10.0		32.0	30.5	22.5	20.0	14	43.5	40	3.0	32	30	27	322	WH14SMKD0MD		400
	16	M22×1.5	12	12.0	26.9	32.0	30.5	22.0	21.5	14	45.0	40	4.5	32	30	30	327	WH16SMKDSOMD	315	315
	20	M27×2	16	16.0	32.9	41.0	37.0	26.5	24.0	16	53.0	48	3.5	41	36	36	598	WH20SMKDSOMD	315	315
	25	M33×2	20	21.0	39.9	46.0	43.5	31.5	30.5	18	66.0	56	3.5	50	46	46	1055	WH25SMKDSOMD	250	250
	30	M42×2	25	27.0	49.9	57.0	50.5	37.0	35.5	20	76.0	64	3.5	60	55	50	1572	WH30SMKDSOMD	160	160
	38	M48×2	32	34.0	55.9	64.0	57.5	41.5	40.5	22	87.0	72	3.5	70	60	60	2317	WH38SMKDSOMD	160	160

<sup>1)</sup> Pressure shown = item deliverable

<sup>3)</sup> L = light series; <sup>4)</sup> S = heavy series

$$\frac{\text{PN (bar)}}{10} = \text{PN (MPa)}$$

Delivery without nut and ring. Information on ordering complete fittings or alternative sealing materials see page 17.

\*Please add the **suffixes** below according to the material/surface required.

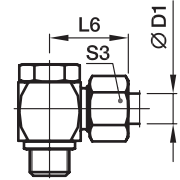
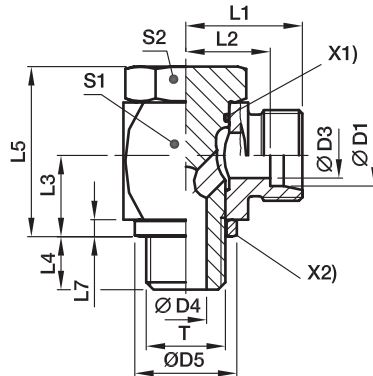
Order code suffixes			
Material	Suffix surface and material	Example	Standard sealing material (no additional suffix needed)
Steel, zinc plated, Cr(VI)-free	CF	WH16SMKDSOMDCF	NBR
Stainless Steel	71	WH16SMKD0MD71	VIT/PTFE

Stainless Steel only with sealing ring KD available!  
Replace KDS by KD in the order code.



## WH-M High pressure banjo elbow

EO 24° cone end / Male metric thread with metal sealing ring



X1) O-ring OR  
X2) Sealing ring DKA

Series	D1	T	D3	D4	D5	L1	L2	L3	L4	L5	L6	L7	S1	S2	S3	Weight g/1 piece	Order code*	PN (bar) <sup>1)</sup>		
																		CF	71	
L <sup>3)</sup>	06	M10×1	4	4.5	14	19.0	12.0	10.5	8	24.0	27	2.5	17	17	14	54	WH06LMOMD	250	250	
	08	M12×1.5	6	6.0	17	21.5	14.5	14.0	12	30.0	29	3.0	22	19	17	97	WH08LMOMD	250	250	
	10	M14×1.5	8	6.0	19	22.5	15.5	14.0	12	30.0	30	3.0	22	19	19	104	WH10LMOMD	250	250	
	12	M16×1.5	10	7.5	21	25.0	18.0	16.5	12	36.0	33	3.0	27	24	22	180	WH12LMOMD	250	250	
	15	M18×1.5	11	9.0	23	27.5	21.5	18.5	12	39.5	37	3.0	30	27	27	243	WH15LMOMD	250	250	
	18	M22×1.5	15	12.0	27	28.5	21.0	21.5	14	45.0	37	4.5	32	30	32	326	WH18LMOMD	250	250	
	22	M26×1.5	19	17.0	31	35.0	27.5	24.0	16	53.0	44	3.5	41	36	36	574	WH22LMOMD	160	160	
	28	M33×2	24	21.0	39	39.5	32.0	30.5	18	66.0	49	3.5	50	46	41	1016	WH28LMOMD	160	160	
	35	M42×2	30	27.0	49	46.5	36.0	35.5	20	76.0	58	3.5	60	55	50	1512	WH35LMOMD	160	160	
	42	M48×2	36	34.0	55	51.5	40.5	40.5	22	87.0	63	3.5	70	60	60	2216	WH42LMOMD	160	160	
	S <sup>4)</sup>	06	M12×1.5	4	6.0	17	23.5	16.5	14.0	12	30.0	31	3.0	22	19	17	104	WH06SMOMD	315	315
		08	M14×1.5	5	6.0	19	23.5	16.5	14.0	12	30.0	31	3.0	22	19	19	111	WH08SMOMD	315	315
10		M16×1.5	7	7.5	21	26.0	18.5	16.5	12	36.0	35	3.0	27	24	22	186	WH10SMOMD	315	315	
12		M18×1.5	8	9.0	23	27.5	20.0	18.5	12	39.5	36	3.0	27	27	24	246	WH12SMOMD	315	315	
14		M20×1.5	10	10.0	25	30.5	22.5	20.0	14	43.5	40	3.0	32	30	27	320	WH14SMOMD	315	315	
16		M22×1.5	12	12.0	27	30.5	22.0	21.5	14	45.0	40	4.5	32	30	30	326	WH16SMOMD	315	315	
20		M27×2	16	16.0	32	37.0	26.5	24.0	16	53.0	48	3.5	41	36	36	596	WH20SMOMD	160	160	
25		M33×2	20	21.0	39	43.5	31.5	30.5	18	66.0	56	3.5	50	46	46	1055	WH25SMOMD	160	160	
30		M42×2	25	27.0	49	50.5	37.0	35.5	20	76.0	64	3.5	60	55	50	1572	WH30SMOMD	160	160	
38		M48×2	32	34.0	55	57.5	41.5	40.5	22	87.0	72	3.5	70	60	60	2316	WH38SMOMD	160	160	

<sup>1)</sup> Pressure shown = item deliverable

<sup>3)</sup> L = light series; <sup>4)</sup> S = heavy series

$\frac{\text{PN (bar)}}{10} = \text{PN (MPa)}$

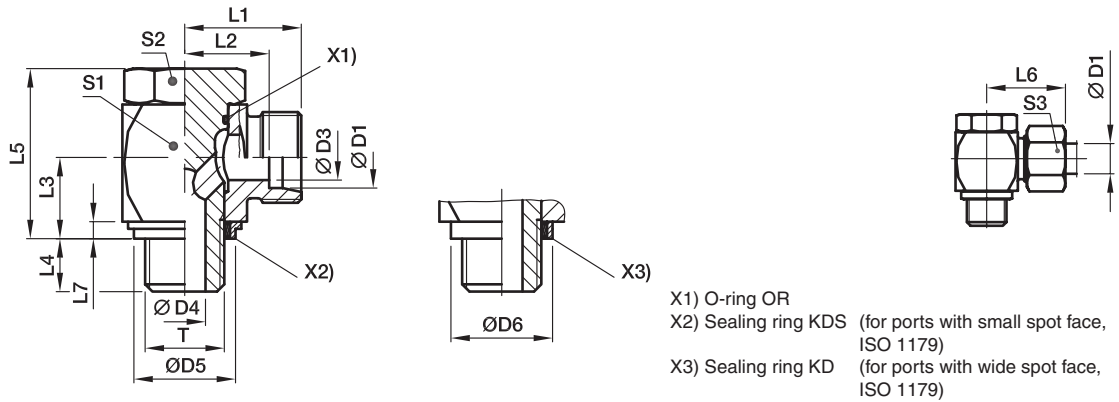
Delivery without nut and ring. Information on ordering complete fittings or alternative sealing materials see page 17.

\*Please add the **suffixes** below according to the material/surface required.

Order code suffixes			
Material	Suffix surface and material	Example	Standard sealing material (no additional suffix needed)
Steel, zinc plated, Cr(VI)-free	CF	WH16SMOMDCF	NBR
Stainless Steel	71	WH16SMOMD71	VIT

## WH-R-KDS High pressure banjo elbow

EO 24° cone end / Male BSPP thread with soft seal ring



Series	D1	T	D3	D4	D5 KDS	D6 KD	L1	L2	L3	L4	L5	L6	L7	S1	S2	S3	Weight g/1 piece	Order code*	PN (bar) <sup>1)</sup>	
																			CF	71
L <sup>3)</sup>	06	G 1/8 A	4	4.5	14.9	17	19.0	12.0	10.5	8	24	27	2.5	17	17	14	53	WH06LRKDSOMD	315	315
	08	G 1/4 A	6	6.0	18.9	22	21.5	14.5	14.0	12	30	29	3.0	22	19	17	101	WH08LRKDSOMD	315	315
	10	G 1/4 A	8	6.0	18.9	22	22.5	15.5	14.0	12	30	30	3.0	22	19	19	102	WH10LRKDSOMD	315	315
	12	G 3/8 A	10	7.5	21.9	27	25.0	18.0	16.5	12	36	33	3.0	27	24	22	181	WH12LRKDSOMD	315	315
	15	G 1/2 A	12	11.0	26.9	32	28.5	21.5	21.5	14	45	37	4.5	32	30	27	312	WH15LRKDSOMD	315	315
	18	G 1/2 A	15	11.0	26.9	32	28.5	21.0	21.5	14	45	37	4.5	32	30	32	319	WH18LRKDSOMD	315	315
	22	G 3/4 A	19	17.0	32.9	41	35.0	27.5	24.0	16	53	44	3.5	41	36	36	578	WH22LRKDSOMD	160	160
	28	G 1 A	24	21.0	39.9	46	39.5	32.0	30.5	18	66	49	3.5	50	46	41	1035	WH28LRKDSOMD	160	160
	35	G 1 1/4 A	30	27.0	49.9	57	46.5	36.0	35.5	20	76	58	3.5	60	55	50	1499	WH35LRKDSOMD	160	160
	42	G 1 1/2 A	36	34.0	55.9	64	51.5	40.5	40.5	22	87	63	3.5	70	60	60	2196	WH42LRKDSOMD	160	160
S <sup>4)</sup>	06	G 1/4 A	4	6.0	18.9	22	23.5	16.5	14.0	12	30	31	3.0	22	19	17	107	WH06SRKDSOMD	400	400
	08	G 1/4 A	5	6.0	18.9	22	23.5	16.5	14.0	12	30	31	3.0	22	19	19	107	WH08SRKDSOMD	400	400
	10	G 3/8 A	7	7.5	21.9	27	26.0	18.5	16.5	12	36	35	3.0	27	24	22	188	WH10SRKDSOMD	400	400
	12	G 3/8 A	8	7.5	21.9	27	26.0	18.5	16.5	12	36	35	3.0	27	24	24	190	WH12SRKDSOMD	400	400
	14	G 1/2 A	10	11.0	26.9	32	30.5	22.5	21.5	15	45	40	4.5	32	30	27	320	WH14SRKDSOMD	400	400
	16	G 1/2 A	12	11.0	26.9	32	30.5	22.0	21.5	14	45	40	4.5	32	30	30	324	WH16SRKDSOMD	315	315
	20	G 3/4 A	16	17.0	32.9	41	37.0	26.5	24.0	16	53	48	3.5	41	36	36	588	WH20SRKDSOMD	315	315
	25	G 1 A	20	21.0	39.9	46	43.5	31.5	30.5	18	66	56	3.5	50	46	46	1073	WH25SRKDSOMD	250	250
	30	G 1 1/4 A	25	27.0	49.9	57	50.5	37.0	35.5	20	76	64	3.5	60	55	50	1559	WH30SRKDSOMD	160	160
	38	G 1 1/2 A	32	34.0	55.9	64	57.5	41.5	40.5	22	87	72	3.5	70	60	60	2296	WH38SRKDSOMD	160	160

1) Pressure shown = item deliverable

3) L = light series; 4) S = heavy series

$$\frac{\text{PN (bar)}}{10} = \text{PN (MPa)}$$

Delivery without nut and ring. Information on ordering complete fittings or alternative sealing materials see page 17.

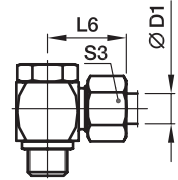
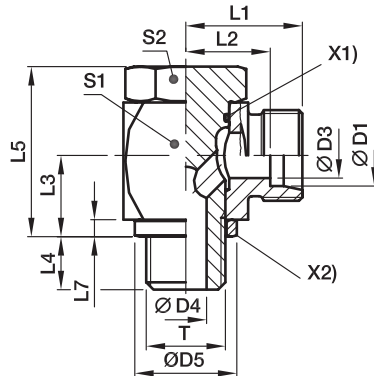
\*Please add the **suffixes** below according to the material/surface required.

Order code suffixes			
Material	Suffix surface and material	Example	Standard sealing material (no additional suffix needed)
Steel, zinc plated, Cr(VI)-free	CF	WH16SRKDSOMDCF	NBR
Stainless Steel	71	WH16SRKD <del>OMD</del> 71	VIT/PTFE

Stainless Steel only with sealing ring KD available!  
Replace KDS by KD in the order code.

## WH-R High pressure banjo elbow

EO 24° cone end / Male BSPP thread with metal sealing ring



X1) O-ring OR  
X2) Sealing ring DKA

Series	D1 	T	D3	D4	D5	L1	L2	L3	L4	L5	L6	L7	S1	S2	S3	Weight g/1 piece	Order code*	PN (bar) <sup>1)</sup>		
																		CF	71	MS
L <sup>3)</sup>	06	G 1/8 A	4	4.5	14	19.0	12.0	10.5	8	24	27	2.5	17	17	14	53	WH06LROMD	250	250	160
	08	G 1/4 A	6	6.0	18	21.5	14.5	14.0	12	30	29	3.0	22	19	17	101	WH08LROMD	250	250	160
	10	G 1/4 A	8	6.0	18	22.5	15.5	14.0	12	30	30	3.0	22	19	19	102	WH10LROMD	250	250	160
	12	G 3/8 A	10	7.5	22	25.0	18.0	16.5	12	36	33	3.0	27	24	22	181	WH12LROMD	250	250	160
	15	G 1/2 A	12	11.0	26	28.5	21.5	21.5	14	45	37	4.5	32	30	27	311	WH15LROMD	250	250	160
	18	G 1/2 A	15	11.0	26	28.5	21.0	21.5	14	45	37	4.5	32	30	32	319	WH18LROMD	250	250	160
	22	G 3/4 A	19	17.0	32	35.0	27.5	24.0	16	53	44	3.5	41	36	36	577	WH22LROMD	160	160	
	28	G 1 A	24	21.0	39	39.5	32.0	30.5	18	66	49	3.5	50	46	41	1034	WH28LROMD	160	160	
	35	G 1 1/4 A	30	27.0	57	46.5	36.0	35.5	20	76	58	3.5	60	55	50	1500	WH35LROMD	160	160	
	42	G 1 1/2 A	36	34.0	55	51.5	40.5	40.5	22	87	63	3.5	70	60	60	2195	WH42LROMD	160	160	
S <sup>4)</sup>	06	G 1/4 A	4	6.0	18	23.5	16.5	14.0	12	30	31	3.0	22	19	17	107	WH06SROMD	315	315	200
	08	G 1/4 A	5	6.0	18	23.5	16.5	14.0	12	30	31	3.0	22	19	19	107	WH08SROMD	315	315	200
	10	G 3/8 A	7	7.5	22	26.0	18.5	16.5	12	36	35	3.0	27	24	22	188	WH10SROMD	315	315	200
	12	G 3/8 A	8	7.5	22	26.0	18.5	16.5	12	36	35	3.0	27	24	24	190	WH12SROMD	315	315	200
	14	G 1/2 A	10	11.0	26	30.5	22.5	21.5	14	45	40	4.5	32	30	27	320	WH14SROMD	315	315	
	16	G 1/2 A	12	11.0	26	30.5	22.0	21.5	14	45	40	4.5	32	30	30	317	WH16SROMD	315	315	
	20	G 3/4 A	16	17.0	32	37.0	26.5	24.0	16	53	48	3.5	41	36	36	587	WH20SROMD	160	160	
	25	G 1 A	20	21.0	39	43.5	31.5	30.5	18	66	56	3.5	50	46	46	1072	WH25SROMD	160	160	
	30	G 1 1/4 A	25	27.0	49	50.5	37.0	35.5	20	76	64	3.5	60	55	50	1560	WH30SROMD	160	160	
	38	G 1 1/2 A	32	34.0	55	57.5	41.5	40.5	22	87	72	3.5	70	60	60	2295	WH38SROMD	160	160	

<sup>1)</sup> Pressure shown = item deliverable

<sup>3)</sup> L = light series; <sup>4)</sup> S = heavy series

$$\frac{PN \text{ (bar)}}{10} = PN \text{ (MPa)}$$

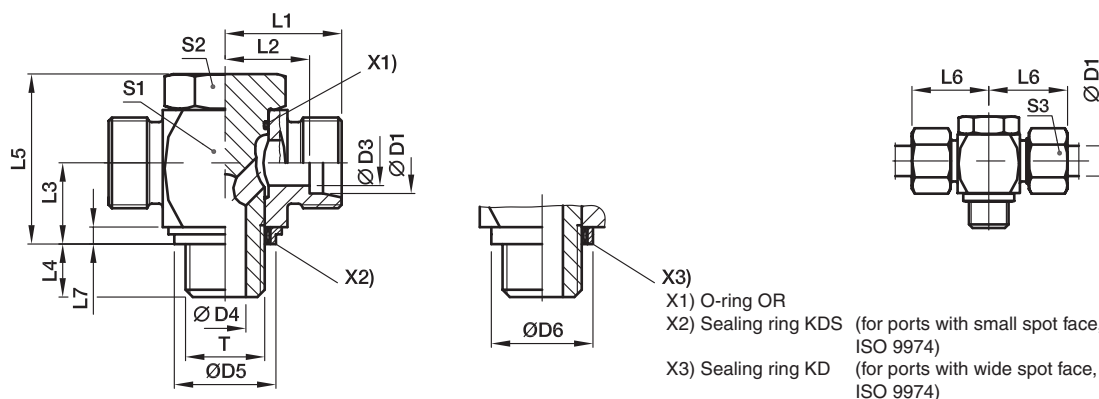
Delivery without nut and ring. Information on ordering complete fittings or alternative sealing materials see page 17.

\*Please add the **suffixes** below according to the material/surface required

Order code suffixes			
Material	Suffix surface and material	Example	Standard sealing material (no additional suffix needed)
Steel, zinc plated, Cr(VI)-free	CF	WH16SROMDCF	NBR
Stainless Steel	71	WH16SROMD71	VIT
Brass	MS	WH18LROMDMS	NBR

## TH-M-KDS High pressure banjo tee

EO 24° cone end / Male metric thread with soft seal ring



Series	D1 	T	D3	D4	D5 KDS	D6 KD	L1	L2	L3	L4	L5	L6	L7	S1	S2	S3	Weight g/1 piece	Order code*	PN (bar) <sup>1)</sup>	
																			CF	71
L <sup>3)</sup>	06	M10×1	4	4.5	14.9	17.0	19.0	12.0	10.5	8	24.0	27	2.5	17	17	14	59	TH06LMKDSOMD	315	315
	08	M12×1.5	6	6.0	17.0	22.0	21.5	14.5	14.0	12	30.0	29	3.0	22	19	17	104	TH08LMKDSOMD	315	315
	10	M14×1.5	8	6.0	18.9	22.5	22.5	15.5	14.0	12	30.0	30	3.0	22	19	19	112	TH10LMKDSOMD	315	315
	12	M16×1.5	10	7.5	21.9	27.0	25.0	18.0	16.5	12	36.0	33	3.0	27	24	22	192	TH12LMKDSOMD	315	315
	15	M18×1.5	11	9.0	23.9	29.0	27.5	21.5	18.5	12	39.5	37	3.0	30	27	27	258	TH15LMKDSOMD	315	315
	18	M22×1.5	15	12.0	26.9	32.0	28.5	21.0	21.5	14	45.0	37	4.5	32	30	32	337	TH18LMKDSOMD	315	315
	22	M26×1.5	19	17.0	31.9	41.0	35.0	27.5	24.0	16	53.0	44	3.5	41	36	36	589	TH22LMKDSOMD	160	160
	28	M33×2	24	21.0	39.9	46.0	39.5	32.0	30.5	18	66.0	49	3.5	50	46	41	1072	TH28LMKDSOMD	160	160
	35	M42×2	30	27.0	49.9	57.0	46.5	36.0	35.5	20	76.0	58	3.5	60	55	50	1778	TH35LMKDSOMD	160	160
	42	M48×2	36	34.0	55.9	64.0	51.5	40.5	40.5	22	87.0	63	3.5	70	60	60	2566	TH42LMKDSOMD	160	160
S <sup>4)</sup>	06	M12×1.5	4	6.0	17.0	22.0	23.5	16.5	14.0	12	30.0	31	3.0	22	19	17	112	TH06SMKDSOMD	400	400
	08	M14×1.5	5	6.0	18.9	22.5	23.5	16.5	14.0	12	30.0	31	3.0	22	19	19	123	TH08SMKDSOMD	400	400
	10	M16×1.5	7	7.5	21.9	27.0	26.0	18.5	16.5	12	36.0	35	3.0	27	24	22	200	TH10SMKDSOMD	400	400
	12	M18×1.5	8	9.0	23.9	29.0	27.5	20.0	18.5	12	39.5	36	3.0	27	27	24	261	TH12SMKDSOMD	400	400
	14	M20×1.5	10	10.0		32.0	30.5	22.5	20.0	14	43.5	40	3.0	32	30	27	334	TH14SMKDSOMD		400
	16	M22×1.5	12	12.0	26.9	32.0	30.5	22.0	21.5	14	45.0	40	4.5	32	30	30	351	TH16SMKDSOMD	315	315
	20	M27×2	16	16.0	32.9	41.0	37.0	26.5	24.0	16	53.0	48	3.5	41	36	36	629	TH20SMKDSOMD	315	315
	25	M33×2	20	21.0	39.9	46.0	43.5	31.5	30.5	18	66.0	56	3.5	50	46	46	1106	TH25SMKDSOMD	250	250
	30	M42×2	25	27.0	49.9	57.0	50.5	37.0	35.5	20	76.0	64	3.5	60	55	50	1843	TH30SMKDSOMD	160	160
	38	M48×2	32	34.0	55.9	64.0	57.5	41.5	40.5	22	87.0	72	3.5	70	60	60	2744	TH38SMKDSOMD	160	160

<sup>1)</sup> Pressure shown = item deliverable

<sup>3)</sup> L = light series; <sup>4)</sup> S = heavy series

$$\frac{\text{PN (bar)}}{10} = \text{PN (MPa)}$$

Delivery without nut and ring. Information on ordering complete fittings or alternative sealing materials see page 17.

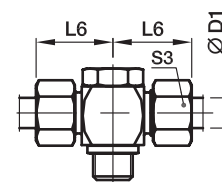
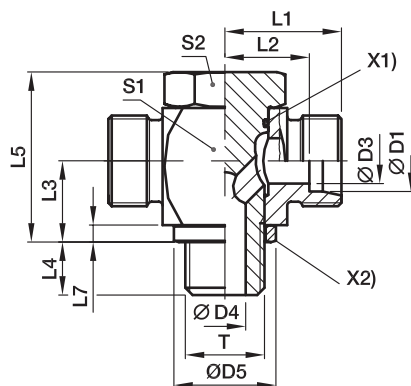
\*Please add the **suffixes** below according to the material/surface required.

Order code suffixes			
Material	Suffix surface and material	Example	Standard sealing material (no additional suffix needed)
Steel, zinc plated, Cr(VI)-free	CF	TH16SMKDSOMDCF	NBR
Stainless Steel	71	TH16SMKDOMD71	VIT/PTFE

Stainless Steel only with sealing ring KD available!  
Replace KDS by KD in the order code.

## TH-M High pressure banjo tee

EO 24° cone end / Male metric thread with metal sealing ring



X1) O-ring OR  
X2) Sealing ring DKA

Series	D1	T	D3	D4	D5	L1	L2	L3	L4	L5	L6	L7	S1	S2	S3	Weight g/1 piece	Order code*	PN (bar) <sup>1)</sup>	
																		CF	71
L <sup>3)</sup>	06	M10×1	4	4.5	14	19.0	12.0	10.5	8	24.0	27	2.5	17	17	14	58	TH06LMOMD	250	250
	08	M12×1.5	6	6.0	17	21.5	14.5	14.0	12	30.0	29	3.0	22	19	17	104	TH08LMOMD	250	250
	10	M14×1.5	8	6.0	19	22.5	15.5	14.0	12	30.0	30	3.0	22	19	19	112	TH10LMOMD	250	250
	12	M16×1.5	10	7.5	21	25.0	18.0	16.5	12	36.0	33	3.0	27	24	22	191	TH12LMOMD	250	250
	15	M18×1.5	11	9.0	23	27.5	21.5	18.5	12	39.5	37	3.0	30	27	27	258	TH15LMOMD	250	250
	18	M22×1.5	15	12.0	27	28.5	21.0	21.5	14	45.0	37	4.5	32	30	32	337	TH18LMOMD	250	250
	22	M26×1.5	19	17.0	31	35.0	27.5	24.0	16	53.0	44	3.5	41	36	36	590	TH22LMOMD	160	160
	28	M33×2	24	21.0	39	39.5	32.0	30.5	18	66.0	49	3.5	50	46	41	1072	TH28LMOMD	160	160
	35	M42×2	30	27.0	49	46.5	36.0	35.5	20	76.0	58	3.5	60	55	50	1778	TH35LMOMD	160	160
	42	M48×2	36	34.0	55	51.5	40.5	40.5	22	87.0	63	3.5	70	60	60	2565	TH42LMOMD	160	160
S <sup>4)</sup>	06	M12×1.5	4	6.0	17	23.5	16.5	14.0	12	30.0	31	3.0	22	19	17	112	TH06SMOMD	315	315
	08	M14×1.5	5	6.0	19	23.5	16.5	14.0	12	30.0	31	3.0	22	19	19	124	TH08SMOMD	315	315
	10	M16×1.5	7	7.5	21	26.0	18.5	16.5	12	36.0	35	3.0	27	24	22	200	TH10SMOMD	315	315
	12	M18×1.5	8	9.0	23	27.5	20.0	18.5	12	39.5	36	3.0	27	27	24	261	TH12SMOMD	315	315
	14	M20×1.5	10	10.0	25	30.5	22.5	20.0	14	43.5	40	3.0	32	30	27	334	TH14SMOMD	315	315
	16	M22×1.5	12	12.0	27	30.5	22.0	21.5	14	45.0	40	4.5	32	30	30	350	TH16SMOMD	315	315
	20	M27×2	16	16.0	32	37.0	26.5	24.0	16	53.0	48	3.5	41	36	36	628	TH20SMOMD	160	160
	25	M33×2	20	21.0	39	43.5	31.5	30.5	18	66.0	56	3.5	50	46	46	1106	TH25SMOMD	160	160
	30	M42×2	25	27.0	49	50.5	37.0	35.5	20	76.0	64	3.5	60	55	50	1843	TH30SMOMD	160	160
	38	M48×2	32	34.0	55	57.5	41.5	40.5	22	87.0	72	3.5	70	60	60	2741	TH38SMOMD	160	160

<sup>1)</sup> Pressure shown = item deliverable

<sup>3)</sup> L = light series; <sup>4)</sup> S = heavy series

$\frac{\text{PN (bar)}}{10} = \text{PN (MPa)}$

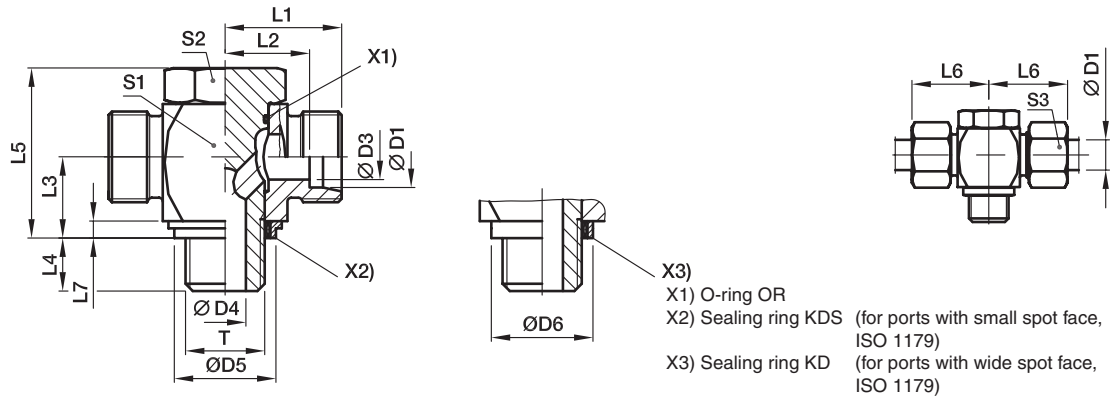
Delivery without nut and ring. Information on ordering complete fittings or alternative sealing materials see page 17.

\*Please add the **suffixes** below according to the material/surface required.

Order code suffixes			
Material	Suffix surface and material	Example	Standard sealing material (no additional suffix needed)
Steel, zinc plated, Cr(VI)-free	CF	TH16SMOMDCF	NBR
Stainless Steel	71	TH16SMOMD71	VIT

## TH-R-KDS High pressure banjo tee

EO 24° cone end / Male BSPP thread with soft seal ring



Series	D1	T	D3	D4	D5 KDS	D6 KD	L1	L2	L3	L4	L5	L6	L7	S1	S2	S3	Weight g/1 piece	Order code*	PN (bar) <sup>1)</sup>	
																			CF	71
L <sup>3)</sup>	06	G 1/8 A	4	4.5	14.9	17	19.0	12.0	10.5	8	24	27	2.5	17	17	14	58	TH06LRKDSOMD	315	315
	08	G 1/4 A	6	6.0	18.9	22	21.5	14.5	14.0	12	30	29	3.0	22	19	17	108	TH08LRKDSOMD	315	315
	10	G 1/4 A	8	6.0	18.9	22	22.5	15.5	14.0	12	30	30	3.0	22	19	19	110	TH10LRKDSOMD	315	315
	12	G 3/8 A	10	7.5	21.9	27	25.0	18.0	16.5	12	36	33	3.0	27	24	22	193	TH12LRKDSOMD	315	315
	15	G 1/2 A	12	11.0	26.9	32	28.5	21.5	21.5	14	45	37	4.5	32	30	27	321	TH15LRKDSOMD	315	315
	18	G 1/2 A	15	11.0	26.9	32	28.5	21.0	21.5	14	45	37	4.5	32	30	32	329	TH18LRKDSOMD	315	315
	22	G 3/4 A	19	17.0	32.9	41	35.0	27.5	24.0	16	53	44	3.5	41	36	36	585	TH22LRKDSOMD	160	160
	28	G 1 A	24	21.0	39.9	46	39.5	32.0	30.5	18	66	49	3.5	50	46	41	1090	TH28LRKDSOMD	160	160
	35	G 1 1/4 A	30	27.0	49.9	57	46.5	36.0	35.5	20	76	58	3.5	60	55	50	1765	TH35LRKDSOMD	160	160
	42	G 1 1/2 A	36	34.0	55.9	64	51.5	40.5	40.5	22	87	63	3.5	70	60	60	2545	TH42LRKDSOMD	160	160
S <sup>4)</sup>	06	G 1/4 A	4	6.0	18.9	22	23.5	16.5	14.0	12	30	31	3.0	22	19	17	116	TH06SRKDSOMD	400	400
	08	G 1/4 A	5	6.0	18.9	22	23.5	16.5	14.0	12	30	31	3.0	22	19	19	121	TH08SRKDSOMD	400	400
	10	G 3/8 A	7	7.5	21.9	27	26.0	18.5	16.5	12	36	35	3.0	27	24	22	201	TH10SRKDSOMD	400	400
	12	G 3/8 A	8	7.5	21.9	27	26.0	18.5	16.5	12	36	35	3.0	27	24	24	207	TH12SRKDSOMD	400	400
	14	G 1/2 A	10	11.0	26.9	32	30.5	22.5	21.5	15	45	40	4.5	32	30	27	338	TH14SRKDSOMD	400	400
	16	G 1/2 A	12	11.0	26.9	32	30.5	22.0	21.5	14	45	40	4.5	32	30	30	350	TH16SRKDSOMD	315	315
	20	G 3/4 A	16	17.0	32.9	41	37.0	26.5	24.0	16	53	48	3.5	41	36	36	620	TH20SRKDSOMD	315	315
	25	G 1 A	20	21.0	39.9	46	43.5	31.5	30.5	18	66	56	3.5	50	46	46	1124	TH25SRKDSOMD	250	250
	30	G 1 1/4 A	25	27.0	49.9	57	50.5	37.0	35.5	20	76	64	3.5	60	55	50	1830	TH30SRKDSOMD	160	160
	38	G 1 1/2 A	32	34.0	55.9	64	57.5	41.5	40.5	22	87	72	3.5	70	60	60	2721	TH38SRKDSOMD	160	160

1) Pressure shown = item deliverable

3) L = light series; 4) S = heavy series

$$\frac{PN \text{ (bar)}}{10} = PN \text{ (MPa)}$$

Delivery without nut and ring. Information on ordering complete fittings or alternative sealing materials see page 17.

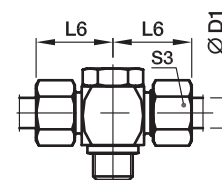
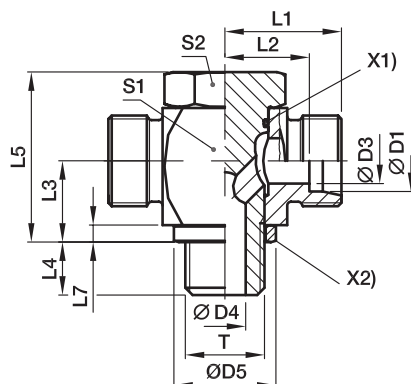
\*Please add the **suffixes** below according to the material/surface required.

Order code suffixes			
Material	Suffix surface and material	Example	Standard sealing material (no additional suffix needed)
Steel, zinc plated, Cr(VI)-free	CF	TH16SRKDSOMDCF	NBR
Stainless Steel	71	TH16SRKD71	VIT/PTFE

Stainless Steel only with sealing ring KD available!  
Replace KDS by KD in the order code.

## TH-R High pressure banjo tee

EO 24° cone end / Male BSPP thread with metal sealing ring



X1) O-ring OR  
X2) Sealing ring DKA

Series	D1	T	D3	D4	D5	L1	L2	L3	L4	L5	L6	L7	S1	S2	S3	Weight g/1 piece	Order code*	PN (bar) <sup>1)</sup>	
																		CF	71
L <sup>3)</sup>	06	G 1/8 A	4	4.5	14	19.0	12.0	10.5	8	24	27	2.5	17	17	14	58	TH06LROMD	250	250
	08	G 1/4 A	6	6.0	18	21.5	14.5	14.0	12	30	29	3.0	22	19	17	108	TH08LROMD	250	250
	10	G 1/4 A	8	6.0	18	22.5	15.5	14.0	12	30	30	3.0	22	19	19	110	TH10LROMD	250	250
	12	G 3/8 A	10	7.5	22	25.0	18.0	16.5	12	36	33	3.0	27	24	22	193	TH12LROMD	250	250
	15	G 1/2 A	12	11.0	26	28.5	21.5	21.5	14	45	37	4.5	32	30	27	321	TH15LROMD	250	250
	18	G 1/2 A	15	11.0	26	28.5	21.0	21.5	14	45	37	4.5	32	30	32	329	TH18LROMD	250	250
	22	G 3/4 A	19	17.0	32	35.0	27.5	24.0	16	53	44	3.5	41	36	36	584	TH22LROMD	160	160
	28	G 1 A	24	21.0	39	39.5	32.0	30.5	18	66	49	3.5	50	46	41	1090	TH28LROMD	160	160
	35	G 1 1/4 A	30	27.0	57	46.5	36.0	35.5	20	76	58	3.5	60	55	50	1766	TH35LROMD	160	160
	42	G 1 1/2 A	36	34.0	55	51.5	40.5	40.5	22	87	63	3.5	70	60	60	2544	TH42LROMD	160	160
S <sup>4)</sup>	06	G 1/4 A	4	6.0	18	23.5	16.5	14.0	12	30	31	3.0	22	19	17	116	TH06SROMD	315	315
	08	G 1/4 A	5	6.0	18	23.5	16.5	14.0	12	30	31	3.0	22	19	19	121	TH08SROMD	315	315
	10	G 3/8 A	7	7.5	22	26.0	18.5	16.5	12	36	35	3.0	27	24	22	201	TH10SROMD	315	315
	12	G 3/8 A	8	7.5	22	26.0	18.5	16.5	12	36	35	3.0	27	24	24	207	TH12SROMD	315	315
	14	G 1/2 A	10	11.0	26	30.5	22.5	21.5	14	45	40	4.5	32	30	27	343	TH14SROMD	315	315
	16	G 1/2 A	12	11.0	26	30.5	22.0	21.5	14	45	40	4.5	32	30	30	350	TH16SROMD	315	315
	20	G 3/4 A	16	17.0	32	37.0	26.5	24.0	16	53	48	3.5	41	36	36	618	TH20SROMD	160	160
	25	G 1 A	20	21.0	39	43.5	31.5	30.5	18	66	56	3.5	50	46	46	1124	TH25SROMD	160	160
	30	G 1 1/4 A	25	27.0	49	50.5	37.0	35.5	20	76	64	3.5	60	55	50	1831	TH30SROMD	160	160
	38	G 1 1/2 A	32	34.0	55	57.5	41.5	40.5	22	87	72	3.5	70	60	60	2720	TH38SROMD	160	160

<sup>1)</sup> Pressure shown = item deliverable

<sup>3)</sup> L = light series; <sup>4)</sup> S = heavy series

$\frac{\text{PN (bar)}}{10} = \text{PN (MPa)}$

Delivery without nut and ring. Information on ordering complete fittings or alternative sealing materials see page 17.

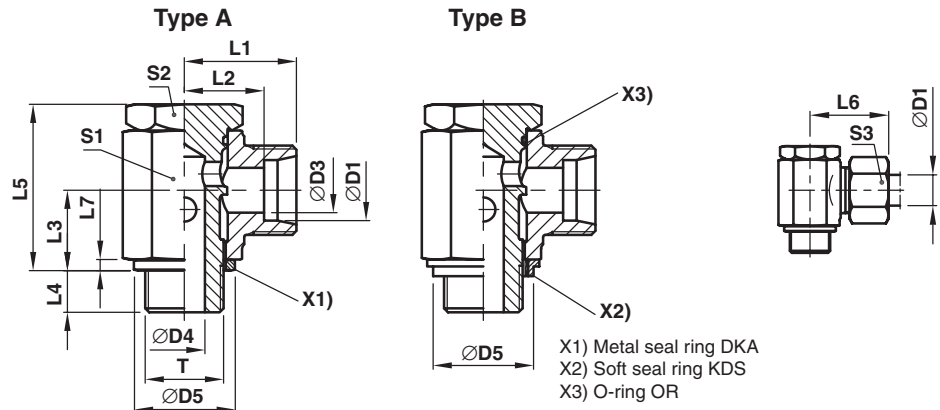
\*Please add the **suffixes** below according to the material/surface required.

Order code suffixes			
Material	Suffix surface and material	Example	Standard sealing material (no additional suffix needed)
Steel, zinc plated, Cr(VI)-free	CF	TH16SROMDCF	NBR
Stainless Steel	71	TH16SROMD71	VIT

## SWVE Metric male stud banjo elbow

SWVE-M EO 24° cone end / Metric male stud with metal seal ring

SWVE-M-KDS EO 24° cone end / Metric male stud with soft seal ring



Series	D1	T	D3	D4	DKA D5	KDS D5	L1	L2	L3	L4	L5	L6	L7	S1	S2	S3	Weight g/1 piece	Type A Order code* metal sealed	Type B Order code* soft sealed	PN (bar) <sup>1)</sup> CF
L <sup>3)</sup>	04	M08×1	3.0	3.0	12.5		14.5	10.5	8.0	6	17.0	20	2.5	12	12	10	18	SWVE04LLMOMD	—	63
	06	M10×1	4.5	5.0	14.0	15	15.5	10.0	10.0	6	21.0	22	2.5	14	14	12	29	SWVE06LLMOMD	SWVE06LLMKDSOMD	63
	08	M10×1	6.0	5.0	14.0	15	16.5	11.0	10.0	6	21.0	23	2.5	14	14	14	31	SWVE08LLMOMD	SWVE08LLMKDSOMD	63
L <sup>2)</sup>	06	M10×1	4.5	5.0	14.0	15	15.5	10.5	10.0	6	21.5	25	2.5	14	14	14	31	SWVE06LMOMD	SWVE06LMKDSOMD	160
	08	M12×1.5	6.0	6.0	17.0	17	19.0	12.0	12.0	9	25.0	27	3.0	17	17	17	51	SWVE08LMOMD	SWVE08LMKDSOMD	160
	10	M14×1.5	8.0	6.5	19.0	19	21.0	14.0	13.0	9	27.0	29	3.0	19	19	19	68	SWVE10LMOMD	SWVE10LMKDSOMD	160
	12	M16×1.5	10.0	8.5	21.0	22	22.5	15.5	15.0	9	32.0	30	3.0	22	21	22	100	SWVE12LMOMD	SWVE12LMKDSOMD	100
	15	M18×1.5	12.0	11.0	23.0	24	24.5	17.5	18.0	9	37.5	33	3.0	24	24	27	138	SWVE15LMOMD	SWVE15LMKDSOMD	100
	18	M22×1.5	15.0	13.0	27.0	27	28.0	20.5	21.5	11	44.5	37	4.5	30	27	32	241	SWVE18LMOMD	SWVE18LMKDSOMD	100
	22	M26×1.5	19.0	18.0	31.0	32	33.0	25.5	24.0	13	49.0	42	3.5	36	32	36	351	SWVE22LMOMD	SWVE22LMKDSOMD	100
	28	M33×2	24.0	22.0	39.0	40	39.5	32.0	30.5	14	66.5	49	3.5	50	46	41		SWVE28LMOMD	SWVE28LMKDSOMD	100
	35	M42×2	30.0	29.0	49.0	50	46.5	36.0	35.5	16	76.0	58	3.5	60	55	50		SWVE35LMOMD	SWVE35LMKDSOMD	100
	42	M48×2	36.0	35.0	55.0	56	51.5	40.5	40.5	18	86.0	63	3.5	70	60	60		SWVE42LMOMD	SWVE42LMKDSOMD	100
S <sup>4)</sup>	06	M12×1.5	4.0	6.0	17.0	17	21.0	14.0	12.0	9	25.0	29	3.0	17	17	17	55	SWVE06SMOMD	SWVE06SMKDSOMD	160
	08	M14×1.5	5.0	6.5	19.0	19	22.0	15.0	13.0	9	27.0	30	3.0	19	19	19	75	SWVE08SMOMD	SWVE08SMKDSOMD	160
	10	M16×1.5	7.0	8.5	21.0	22	23.5	16.0	15.0	9	32.0	32	3.0	22	22	22	106	SWVE10SMOMD	SWVE10SMKDSOMD	100
	12	M18×1.5	8.0	11.0	23.0	24	24.5	17.0	18.0	9	37.0	33	3.0	24	24	24	134	SWVE12SMOMD	SWVE12SMKDSOMD	100
	14	M20×1.5	10.0	10.0	25.0		28.0	20.0	18.0	11	37.0	38	3.0	27	27	27	179	SWVE14SMOMD	—	100
	16	M22×1.5	12.0	13.0	27.0	27	30.0	21.5	21.5	11	44.5	40	4.5	30	27	30	252	SWVE16SMOMD	SWVE16SMKDSOMD	100
	20	M27×2	16.0	18.0	32.0	33	35.0	24.5	24.0	13	49.0	46	3.5	36	32	36	363	SWVE20SMOMD	SWVE20SMKDSOMD	100
	25	M33×2	20.0	22.0	39.0	40	43.5	31.5	30.5	14	66.5	56	3.5	50	46	46		SWVE25SMOMD	SWVE25SMKDSOMD	100
	30	M42×2	25.0	29.0	49.0	50	50.5	37.0	35.5	16	76.0	64	3.5	60	55	50		SWVE30SMOMD	SWVE30SMKDSOMD	100
	38	M48×2	32.0	35.0	55.0	56	57.5	41.5	40.5	18	86.0	72	3.5	70	60	60		SWVE38SMOMD	SWVE38SMKDSOMD	100

1) Pressure shown = item deliverable

2) LL = very light series; 3) L = light series; 4) S = heavy series

$$\frac{PN(\text{bar})}{10} = PN(\text{MPa})$$

Delivery without nut and ring. Information on ordering complete fittings or alternative sealing materials see page 17.

\*Please add the **suffixes** below according to the material/surface required.

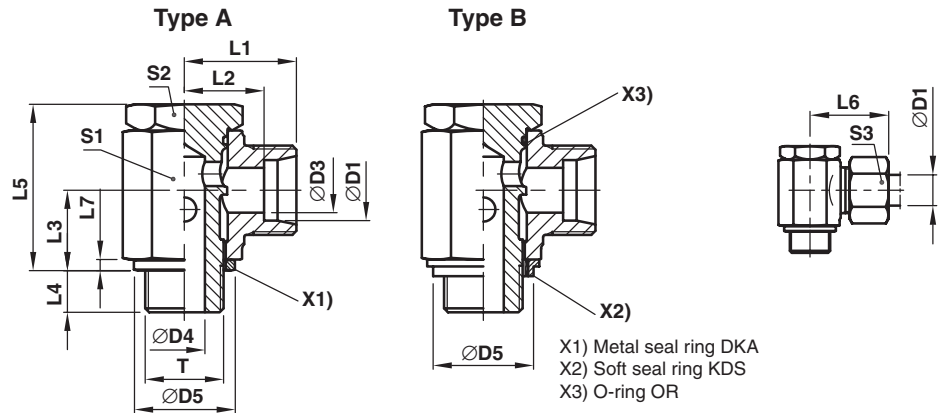
Order code suffixes			
Material	Suffix surface and material	Example	Standard sealing material (no additional suffix needed)
Steel, zinc plated, Cr(VI)-free	CF	SWVE16SMOMDCF	NBR
Steel, zinc plated, Cr(VI)-free	CF	SWVE16SMKDSOMDCF	NBR



## SWVE BSPP male stud banjo elbow

SWVE-R EO 24° cone end / BSPP male stud with metal seal ring

SWVE-R-KDS EO 24° cone end / BSPP male stud with soft seal ring



Series	D1	T	D3	D4	DKA D5	KDS D5	L1	L2	L3	L4	L5	L6	L7	S1	S2	S3	Weight g/1 piece	Type A Order code* metal sealed	Type B Order code* soft sealed	PN (bar) <sup>1)</sup> CF
LL <sup>2)</sup>	04	G 1/8A	3.0	5.0	14	15	15.5	11.5	10.0	6	21.0	21	2.5	14	14	10	28	SWVE04LLROMD	SWVE04LLRKDSOMD	63
	06	G 1/8A	4.5	5.0	14	15	15.5	10.0	10.0	6	21.5	22	2.5	14	14	12	28	SWVE06LLROMD	SWVE06LLRKDSOMD	63
	08	G 1/8A	6.0	5.0	14	15	16.5	11.0	10.0	6	21.0	23	2.5	14	14	14	30	SWVE08LLROMD	SWVE08LLRKDSOMD	63
L <sup>3)</sup>	06	G 1/8A	4.0	5.0	14	15	17.5	10.5	10.0	6	21.0	25	2.5	14	14	14	31	SWVE06LROMD	SWVE06LRKDSOMD	160
	08	G 1/4A	6.0	6.5	18	19	20.0	13.0	13.0	9	27.0	28	3.0	19	19	17	65	SWVE08LROMD	SWVE08LRKDSOMD	160
	10	G 1/4A	8.0	6.5	18	19	21.0	14.0	13.0	9	27.0	29	3.0	19	19	19	66	SWVE10LROMD	SWVE10LRKDSOMD	160
	12	G 3/8A	10.0	8.5	22	22	22.5	15.5	15.0	9	32.0	30	3.0	22	22	22	102	SWVE12LROMD	SWVE12LRKDSOMD	100
	15	G 1/2A	12.0	11.0	26	27	26.0	19.0	18.0	11	37.5	34	4.5	27	27	27	171	SWVE15LROMD	SWVE15LRKDSOMD	100
	18	G 1/2A	15.0	13.0	26	27	28.0	20.5	21.5	11	44.5	37	4.5	30	27	32	249	SWVE18LROMD	SWVE18LRKDSOMD	100
	22	G 3/4A	19.0	18.0	32	33	33.0	25.5	24.0	13	49.0	42	3.5	36	32	36	349	SWVE22LROMD	SWVE22LRKDSOMD	100
	28	G1A	24.0	22.0	39	40	39.5	32.0	30.5	14	66.5	49	3.5	50	46	41		SWVE28LROMD	SWVE28LRKDSOMD	100
	35	G11/4A	30.0	29.0	49	50	46.5	36.0	35.5	16	76.0	58	3.5	60	55	50		SWVE35LROMD	SWVE35LRKDSOMD	100
	42	G11/2A	36.0	35.0	55	56	51.5	40.5	40.5	18	86.0	63	3.5	70	60	60		SWVE42LROMD	SWVE42LRKDSOMD	100
S <sup>4)</sup>	06	G 1/4A	4.0	6.5	18	19	22.0	15.0	13.0	9	27.0	30	3.0	19	19	17	69	SWVE06SROMD	SWVE06SRKDSOMD	160
	08	G 1/4A	5.0	6.5	18	19	22.0	15.0	13.0	9	27.0	30	3.0	19	19	19	73	SWVE08SROMD	SWVE08SRKDSOMD	160
	10	G 3/8A	7.0	8.5	22	22	23.5	16.0	15.0	9	32.0	32	3.0	22	22	22	108	SWVE10SROMD	SWVE10SRKDSOMD	100
	12	G 3/8A	8.0	8.0	22	22	24.5	17.0	18.0	9	37.0	33	3.0	24	24	24	147	SWVE12SROMD	SWVE12SRKDSOMD	100
14	G 1/2A	10.0	11.0	26	27	28.0	20.0	18.0	11	37.5	38	4.5	27	27	27	177	SWVE14SROMD	SWVE14SRKDSOMD	100	
	16	G 1/2A	12.0	13.0	26	27	30.0	21.5	21.5	11	44.5	40	4.5	30	27	30	249	SWVE16SROMD	SWVE16SRKDSOMD	100
	20	G 3/4A	16.0	18.0	32	33	35.0	24.5	24.0	13	49.0	46	3.5	36	32	36	359	SWVE20SROMD	SWVE20SRKDSOMD	100
	25	G1A	20	22	39	40	43.5	31.5	30.5	14	66.5	56	3.5	50	46	46		SWVE25SROMD	SWVE25SRKDSOMD	100
	30	G11/4A	25	29	49	50	50.5	37	35.5	16	76.0	64	3.5	60	55	50		SWVE30SROMD	SWVE30SRKDSOMD	100
	38	G11/2A	32	35	55	56	57.5	41.5	40.5	18	86.0	72	3.5	70	60	60		SWVE38SROMD	SWVE38SRKDSOMD	100

<sup>1)</sup> Pressure shown = item deliverable

<sup>2)</sup> LL = very light series; <sup>3)</sup> L = light series; <sup>4)</sup> S = heavy series

$$\frac{PN(\text{bar})}{10} = PN(\text{MPa})$$

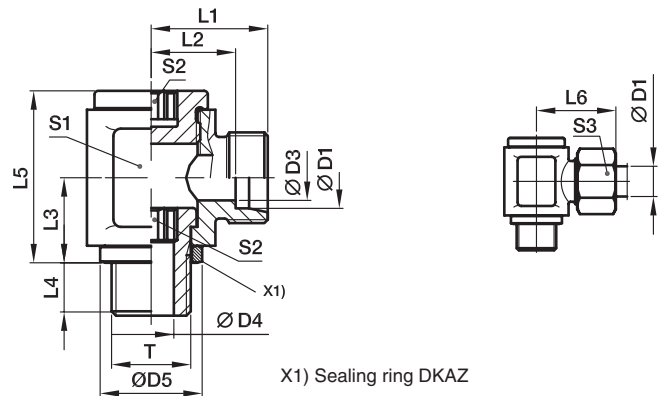
Delivery without nut and ring. Information on ordering complete fittings see page I7.

\*Please add the **suffixes** below according to the material/surface required.

Order code suffixes			
Material	Suffix surface and material	Example	Standard sealing material (no additional suffix needed)
Steel, zinc plated, Cr(VI)-free	CF	SWVE16SRMDCF	NBR
Steel, zinc plated, Cr(VI)-free	CF	SWVE16SRKDSOMDCF	NBR

## DSVW-M Low pressure banjo elbow

EO 24° cone end / Male metric thread



Series	D1	T	D3	D4	D5	L1	L2	L3	L4	L5	L6	S1	S2	S3	Weight g/1 piece	Order code*	PN (bar) <sup>1)</sup> CF
L <sup>3)</sup>	06	M 10×1	4	4.0	14	19.5	12.5	12	8	24	27	18	6	14	51	DSVW06LMOMD	160
	08	M 12×1.5	6	5.5	17	21.5	14.5	15	12	30	29	22	6	17	86	DSVW08LMOMD	160
	10	M 14×1.5	8	7.0	19	22.5	15.5	16	12	30	30	22	8	19	87	DSVW10LMOMD	100
	12	M 16×1.5	10	8.0	21	25.0	18.0	18	12	37	33	27	10	22	145	DSVW12LMOMD	100
	15	M 18×1.5	12	10.0	23	28.0	21.0	20	12	40	36	30	12	27	197	DSVW15LMOMD	100
	18	M 22×1.5	15	14.0	27	29.0	21.5	23	14	46	38	36	14	32	264	DSVW18LMOMD	100
	22	M 26×1.5	19	17.5	31	33.5	26.0	25	16	51	42	41	17	36	379	DSVW22LMOMD	100
	28	M 33×2	24	22.0	39	39.0	31.5	32	18	64	48	50	22	41	682	DSVW28LMOMD	100
	35	M 42×2	30	27.5	49	46.0	35.5	37	20	76	57	60	27	50	1146	DSVW35LMOMD	63
	42	M 48×2	36	32.5	55	51.0	40.0	42	22	85	63	70	32	60	1706	DSVW42LMOMD	63
S <sup>4)</sup>	06	M 12×1.5	4	5.5	17	23.5	16.5	15	12	30	31	22	6	17	90	DSVW06SMOMD	160
	08	M 14×1.5	5	7.0	19	23.5	16.5	16	12	30	31	22	8	19	90	DSVW08SMOMD	160
	10	M 16×1.5	7	8.0	21	26.0	18.5	18	12	37	35	27	10	22	154	DSVW10SMOMD	100
	12	M 18×1.5	8	10.0	23	28.0	20.5	20	12	41	37	30	12	24	199	DSVW12SMOMD	100
	14	M 20×1.5	10	12.0	25	31.0	23.0	21	14	42	41	32	12	27	239	DSVW14SMOMD	100
	16	M 22×1.5	12	14.0	27	31.0	22.5	23	14	46	41	36	14	30	268	DSVW16SMOMD	100
	20	M 27×2	16	17.5	32	38.0	27.5	28	16	58	49	46	17	36	532	DSVW20SMOMD	100
	25	M 33×2	20	22.0	39	43.0	31.0	32	18	64	55	50	22	46	728	DSVW25SMOMD	100
	30	M 42×2	25	27.5	49	50.0	36.5	37	20	76	63	60	27	50	1222	DSVW30SMOMD	63
	38	M 48×2	32	32.5	55	56.0	41.0	42	22	85	72	70	32	60	1820	DSVW38SMOMD	63

1) Pressure shown = item deliverable

3) L = light series; 4) S = heavy series

$$\frac{\text{PN (bar)}}{10} = \text{PN (MPa)}$$

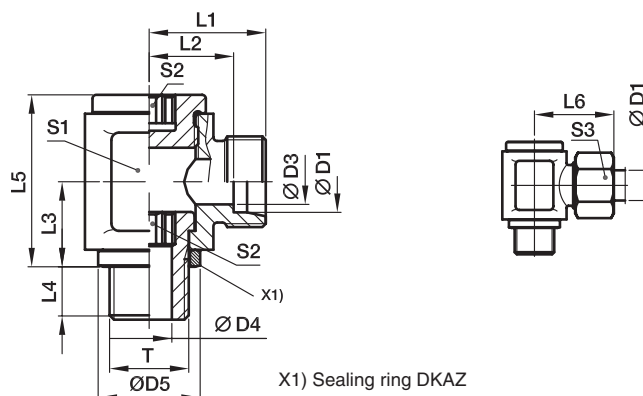
Delivery without nut and ring. Information on ordering complete fittings see page I7.

Order code suffixes		
Material	Suffix surface and material	Example
Steel, zinc plated, Cr(VI)-free	CF	DSVW16SMOMDCF

\*Please add the **suffixes** below according to the material/surface required.

## DSVW-R Low pressure banjo elbow

EO 24° cone end / Male BSPP thread



Series	D1	T	D3	D4	D5	L1	L2	L3	L4	L5	L6	S1	S2	S3	Weight g/1 piece	Order code*	PN (bar) <sup>1)</sup> CF
L <sup>3)</sup>	06	G 1/8 A	4	4.0	14	19.5	12.5	12	8	24	27	18	6	14	51	DSVW06LROMD	160
	08	G 1/4 A	6	6.0	18	21.5	14.5	16	12	30	29	22	8	17	85	DSVW08LROMD	160
	10	G 1/4 A	8	6.0	18	22.5	15.5	16	12	30	30	22	8	19	88	DSVW10LROMD	100
	12	G 3/8 A	10	8.5	22	25.0	18.0	18	12	37	33	27	10	22	147	DSVW12LROMD	100
	15	G 1/2 A	12	12.0	26	29.0	22.0	21	14	42	37	32	12	27	228	DSVW15LROMD	100
	18	G 1/2 A	15	12.0	26	29.0	21.5	23	14	46	38	36	12	32	276	DSVW18LROMD	100
	22	G 3/4 A	19	17.5	32	36.0	28.5	28	16	58	45	46	17	36	516	DSVW22LROMD	100
	28	G 1 A	24	22.0	39	39.0	31.5	32	18	64	48	50	22	41	688	DSVW28LROMD	100
	35	G 1 1/4 A	30	27.5	49	46.0	35.5	37	20	76	57	60	27	50	1147	DSVW35LROMD	63
	42	G 1 1/2 A	36	32.5	55	51.5	40.0	42	22	85	63	70	32	60	1696	DSVW42LROMD	63
S <sup>4)</sup>	06	G 1/4 A	4	6.0	18	23.5	16.5	16	12	30	31	22	8	17	89	DSVW06SROMD	160
	08	G 1/4 A	5	6.0	18	23.5	16.5	16	12	30	31	22	8	19	92	DSVW08SROMD	160
	10	G 3/8 A	7	8.5	22	26.0	18.5	18	12	37	35	27	10	22	150	DSVW10SROMD	100
	12	G 3/8 A	8	8.5	22	26.0	18.5	18	12	37	35	27	10	24	156	DSVW12SROMD	100
	14	G 1/2 A	10	12.0	26	31.0	23.0	21	14	42	41	32	12	27	235	DSVW14SROMD	100
	16	G 1/2 A	12	12.0	26	31.0	22.5	23	14	46	41	36	12	30	275	DSVW16SROMD	100
	20	G 3/4 A	16	17.5	32	38.0	27.5	28	16	58	49	46	17	36	530	DSVW20SROMD	100
	25	G 1 A	20	22.0	39	43.0	31.0	32	18	64	55	50	22	46	734	DSVW25SROMD	100
	30	G 1 1/4 A	25	27.5	49	50.0	36.5	37	20	76	63	60	27	50	1224	DSVW30SROMD	63
	38	G 1 1/2 A	32	32.5	55	57.5	41.0	42	22	85	72	70	32	60	1810	DSVW38SROMD	63

<sup>1)</sup> Pressure shown = item deliverable

<sup>3)</sup> L = light series; <sup>4)</sup> S = heavy series

$\frac{\text{PN (bar)}}{10} = \text{PN (MPa)}$

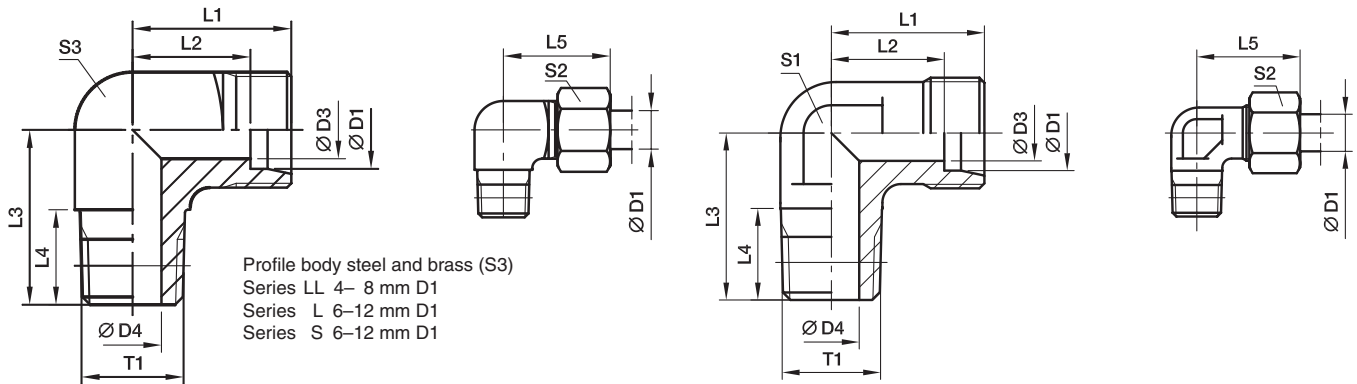
Delivery without nut and ring. Information on ordering complete fittings see page I7.

\*Please add the **suffixes** below according to the material/surface required.

Order code suffixes		
Material	Suffix surface and material	Example
Steel, zinc plated, Cr(VI)-free	CF	DSVW16SROMDCF

## WE-NPT Male stud elbow

EO 24° cone end / Male NPT thread (SAE J476)



Series	D1	T1	D3	D4	L1	L2	L3	L4	L5	S1	S2	S3	Weight g/1 piece	Order code*	PN (bar) <sup>1)</sup>		
															CF	71	MS
LL <sup>2)</sup>	04	1/8-27NPT	3.0	4.0	15	11.0	17	10.0	21	9	10	11	18	WE04LL1/8NPT	100		
	06	1/8-27NPT	4.5	4.5	15	9.5	17	10.0	21	9	12	11	17	WE06LL1/8NPT	100		
	08	1/8-27NPT	6.0	5.0	17	11.5	20	10.0	23	12	14	12	25	WE08LL1/8NPT	100		
L <sup>3)</sup>	06	1/8-27NPT	4.0	4.0	19	12.0	20	10.0	27	12	14	12	29	WE06L1/8NPT	315	315	200
	06	1/4-18NPT	4.0	7.0	21	14.0	26	14.5	29	12	14	14	44	WE06L1/4NPT	315	315	200
	06	3/8-18NPT	4.0	8.0	25	18.0	28	14.5	33	17	14	19	55	WE06L3/8NPT	315	315	200
	08	1/8-27NPT	6.0	4.0	21	14.0	26	10.0	29	12	17	14	48	WE08L1/8NPT	315	315	200
	08	1/4-18NPT	6.0	6.0	21	14.0	26	14.5	29	12	17	14	47	WE08L1/4NPT	315	315	200
	10	1/4-18NPT	8.0	7.0	22	15.0	27	14.5	30	14	19	17	61	WE10L1/4NPT	315	315	200
	10	3/8-18NPT	8.0	8.0	24	17.0	28	14.5	32	17	19	19	92	WE10L3/8NPT	315	315	200
	12	1/4-18NPT	10.0	7.0	24	17.0	28	14.5	32	17	22	19	82	WE12L1/4NPT	315	315	200
	12	3/8-18NPT	10.0	8.0	24	17.0	28	14.5	32	17	22	19	92	WE12L3/8NPT	315	315	200
	12	1/2-14NPT	10.0	11.0	28	21.0	34	19.5	36	19	22		90	WE12L1/2NPT	315	315	200
	15	1/2-14NPT	12.0	11.0	28	21.0	34	19.5	36	19	27		89	WE15L1/2NPT	315	315	200
	18	1/2-14NPT	15.0	12.0	31	23.5	36	19.5	40	24	32		150	WE18L1/2NPT	315	315	200
	22	3/4-14NPT	19.0	16.0	35	27.5	42	19.5	44	27	36		176	WE22L3/4NPT	160	160	100
	28	1-11 1/2NPT	24.0	21.0	38	30.5	48	24.5	47	36	41		314	WE28L1NPT	160	160	100
	35	11/4-11 1/2NPT	30.0	28.0	45	34.5	54	25.0	56	41	50		465	WE35L11/4NPT	160	160	100
42	11/2-11 1/2NPT	36.0	34.0	51	40.0	61	26.0	63	50	60		849	WE42L11/2NPT	160	160	100	
S <sup>4)</sup>	06	1/4-18NPT	4.0	4.0	23	16.0	26	14.5	31	12	17	14	56	WE06S1/4NPT	630	630	400
	08	1/4-18NPT	5.0	5.0	24	17.0	27	14.5	32	14	19	17	73	WE08S1/4NPT	630	630	400
	08	3/8-18NPT	5.0	8.0	25	18.0	28	14.5	33	17	19	19	77	WE08S3/8NPT	630	630	400
	08	1/2-14NPT	5.0	10.0	30	23.0	34	19.5	38	19	19		75	WE08S1/2NPT	630	630	400
	10	1/4-18NPT	7.0	5.0	25	17.5	28	14.5	34	17	22	19	96	WE10S1/4NPT	630	630	400
	10	3/8-18NPT	7.0	7.0	25	17.5	28	14.5	34	17	22	19	98	WE10S3/8NPT	630	630	400
	12	1/4-18NPT	8.0	5.0	29	21.5	29	14.5	38	17	24	22	73	WE12S1/4NPT	630	630	400
	12	3/8-18NPT	8.0	8.0	29	22.5	28	14.5	38	17	24	22	123	WE12S3/8NPT	630	630	400
	12	1/2-14NPT	8.0	10.0	30	22.5	34	19.5	39	19	24		107	WE12S1/2NPT	630	630	400
	14	1/2-14NPT	10.0	10.0	30	22.0	34	19.5	40	19	27		103	WE14S1/2NPT	630	630	400
	16	1/2-14NPT	12.0	12.0	33	24.5	36	19.5	43	24	30		157	WE16S1/2NPT	400	400	250
	20	3/4-14NPT	16.0	16.0	37	26.5	42	19.5	48	27	36		205	WE20S3/4NPT	400	400	250
	25	1-11 1/2NPT	20.0	20.0	42	30.0	48	24.5	54	36	46		381	WE25S1NPT	400	400	250
	30	11/4-11 1/2NPT	25.0	25.0	49	35.5	54	25.0	62	41	50		598	WE30S11/4NPT	400	400	250
	38	11/2-11 1/2NPT	32.0	32.0	57	41.0	61	26.0	72	50	60		1029	WE38S11/2NPT	315	315	200

<sup>1)</sup> Pressure shown = item deliverable

<sup>2)</sup> LL = very light series; <sup>3)</sup> L = light series; <sup>4)</sup> S = heavy series

$$\frac{\text{PN (bar)}}{10} = \text{PN (MPa)}$$

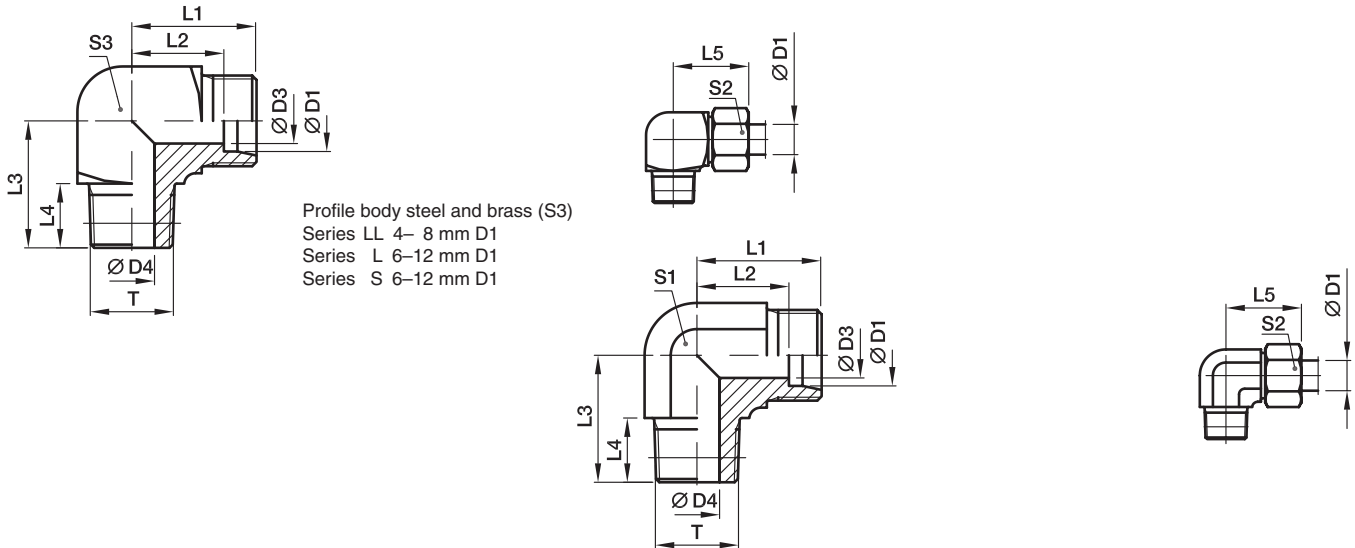
Delivery without nut and ring. Information on ordering complete fittings see page I7.

\*Please add the **suffixes** below according to the material/surface required.

Order code suffixes		
Material	Suffix surface and material	Example
Steel, zinc plated, Cr(VI)-free	CF	WE16S1/2NPTCFX
Stainless Steel	71	WE16S1/2NPT71X
Brass	MS	WE16S1/2NPTMSX

## WE-M(KEG) Male stud elbow

EO 24° cone end / Male short metric taper thread (DIN 3852-1, type C)



Profile body steel and brass (S3)  
 Series LL 4– 8 mm D1  
 Series L 6–12 mm D1  
 Series S 6–12 mm D1

Series	D1	T	D3	D4	L1	L2	L3	L4	L5	S1	S2	S3	Weight g/1 piece	Order code*	PN (bar) <sup>1)</sup>		
															CF	71	MS
LL <sup>2)</sup>	04	M8×1tap.	3.0	3.5	15	11.0	17	8	21	9	10	9	14	<b>WE04LLM</b>	100	100	63
	06	M10×1tap.	4.5	4.5	15	9.5	17	8	21	9	12	11	17	<b>WE06LLM</b>	100	100	63
	08	M10×1tap.	6.0	6.0	17	11.5	20	8	23	12	14	12	25	<b>WE08LLM</b>	100	100	63
L <sup>3)</sup>	06	M10×1tap.	4.0	4.0	19	12.0	20	8	27	12	14	12	29	<b>WE06LM</b>	315	315	200
	08	M12×1.5tap.	6.0	6.0	21	14.0	26	12	29	12	17	14	46	<b>WE08LM</b>	315	315	200
	10	M14×1.5tap.	8.0	7.0	22	15.0	27	12	30	14	19	17	62	<b>WE10LM</b>	315	315	200
	12	M16×1.5tap.	10.0	9.0	24	17.0	28	12	32	17	22	19	89	<b>WE12LM</b>	315	315	200
	15	M18×1.5tap.	12.0	11.0	28	21.0	32	12	36	19	27		78	<b>WE15LM</b>	315	315	200
	18	M22×1.5tap.	15.0	14.0	31	23.0	36	14	40	24	32		148	<b>WE18LM</b>	315	315	200
S <sup>4)</sup>	06	M12×1.5tap.	4.0	4.0	23	16.0	26	12	31	12	17	14	53	<b>WE06SM</b>	400	400	250
	08	M14×1.5tap.	5.0	5.0	24	17.0	27	12	32	14	19	17	78	<b>WE08SM</b>	400	400	250
	10	M16×1.5tap.	7.0	7.0	25	17.5	28	12	34	17	22	19	102	<b>WE10SM</b>	400	400	250
	12	M18×1.5tap.	8.0	8.0	29	21.5	28	12	38	17	24	22	134	<b>WE12SM</b>	400	400	250
	14	M20×1.5tap.	10.0	10.0	30	22.0	32	14	40	19	27		99	<b>WE14SM</b>	400	400	
	16	M22×1.5tap.	12.0	12.0	33	24.5	32	14	43	24	30		161	<b>WE16SM</b>	400	400	250

<sup>1)</sup> Pressure shown = item deliverable

<sup>2)</sup> LL = very light series; <sup>3)</sup> L = light series; <sup>4)</sup> S = heavy series

$$\frac{\text{PN (bar)}}{10} = \text{PN (MPa)}$$

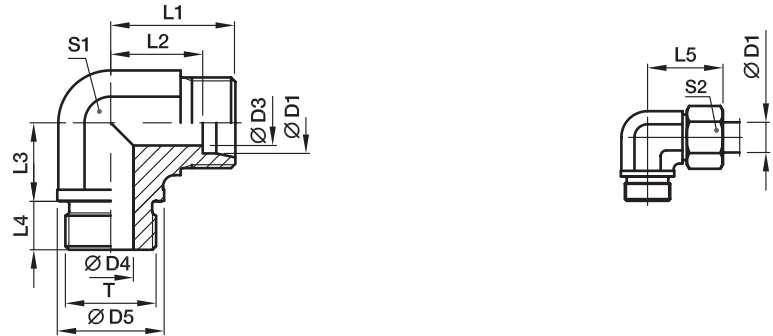
Delivery without nut and ring. Information on ordering complete fittings see page I7.

\*Please add the **suffixes** below according to the material/surface required.

Order code suffixes		
Material	Suffix surface and material	Example
Steel, zinc plated, Cr(VI)-free	CF	WE16SMCFX
Stainless Steel	71	WE16SM71X
Brass	MS	WE16SMMSX

## WE-M Male stud elbow

EO 24° cone end / Male metric thread – metal sealing edge (ISO 9974)



Series	D1 	T	D3	D4	D5	L1	L2	L3	L4	L5	S1	S2	Weight g/1 piece	Order code*	PN (bar) <sup>1)</sup>	
															CF	71
L <sup>3)</sup>	22	M26×1.5	19	18	31	35	27.5	26	16	44	27	36	173	<b>WE22LM</b>	160	160
	28	M33×2	24	23	39	38	30.5	30	18	47	36	41	303	<b>WE28LM</b>	160	160
	35	M42×2	30	30	49	45	34.5	34	20	56	41	50	469	<b>WE35LM</b>	160	160
	42	M48×2	36	36	55	51	40.0	39	22	63	50	60	661	<b>WE42LM</b>	160	160
S <sup>4)</sup>	20	M27×2	16	16	32	37	26.5	26	16	48	27	36	208	<b>WE20SM</b>	400	400
	25	M33×2	20	20	39	42	30.0	30	18	54	36	46	396	<b>WE25SM</b>	250	250
	30	M42×2	25	25	49	49	35.5	34	20	62	41	50	632	<b>WE30SM</b>	160	160
	38	M48×2	32	32	55	57	41.0	39	22	72	50	60	907	<b>WE38SM</b>	160	160

<sup>1)</sup> Pressure shown = item deliverable

<sup>3)</sup> L = light series; <sup>4)</sup> S = heavy series

$$\frac{\text{PN (bar)}}{10} = \text{PN (MPa)}$$

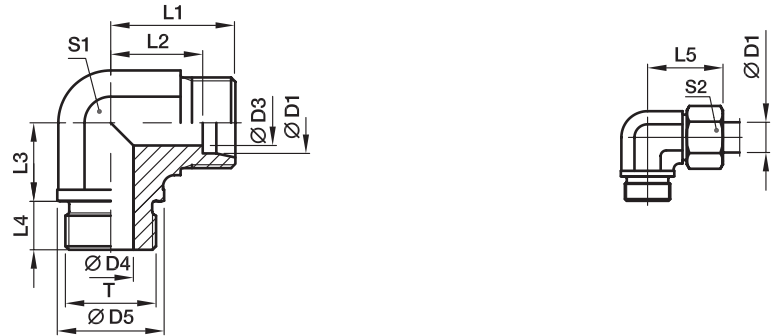
Delivery without nut and ring. Information on ordering complete fittings see page I7.

\*Please add the **suffixes** below according to the material/surface required.

Order code suffixes		
Material	Suffix surface and material	Example
Steel, zinc plated, Cr(VI)-free	CFX	WE20SMCFX
Stainless Steel	71X	WE20SM71X

## WE-R Male stud elbow

EO 24° cone end / Male BSPP thread – metal sealing edge (ISO 1179)



Series	D1	T	D3	D4	D5	L1	L2	L3	L4	L5	S1	S2	Weight g/1 piece	Order code*	PN (bar) <sup>1)</sup>		
															CF	71	MS
L <sup>3)</sup>	22	G3/4A	19	18	32	35	27.5	26	16	44	27	36	168	<b>WE22LR</b>	160	160	100
	28	G1A	24	23	39	38	30.5	30	18	47	36	41	305	<b>WE28LR</b>	160	160	100
	35	G11/4A	30	30	49	45	34.5	34	20	56	41	50	465	<b>WE35LR</b>	160	160	100
	42	G11/2A	36	36	55	51	40.0	39	22	63	50	60	706	<b>WE42LR</b>	160	160	100
S <sup>4)</sup>	20	G3/4A	16	16	32	37	26.5	26	16	48	27	36	210	<b>WE20SR</b>	400	400	250
	25	G1A	20	20	39	42	30.0	30	18	54	36	46	388	<b>WE25SR</b>	250	250	160
	30	G11/4A	25	25	49	49	35.5	34	20	62	41	50	630	<b>WE30SR</b>	160	160	100
	38	G11/2A	32	32	55	57	41.0	39	22	72	50	60	888	<b>WE38SR</b>	160	160	100

<sup>1)</sup> Pressure shown = item deliverable

<sup>3)</sup> L = light series; <sup>4)</sup> S = heavy series

$$\frac{\text{PN (bar)}}{10} = \text{PN (MPa)}$$

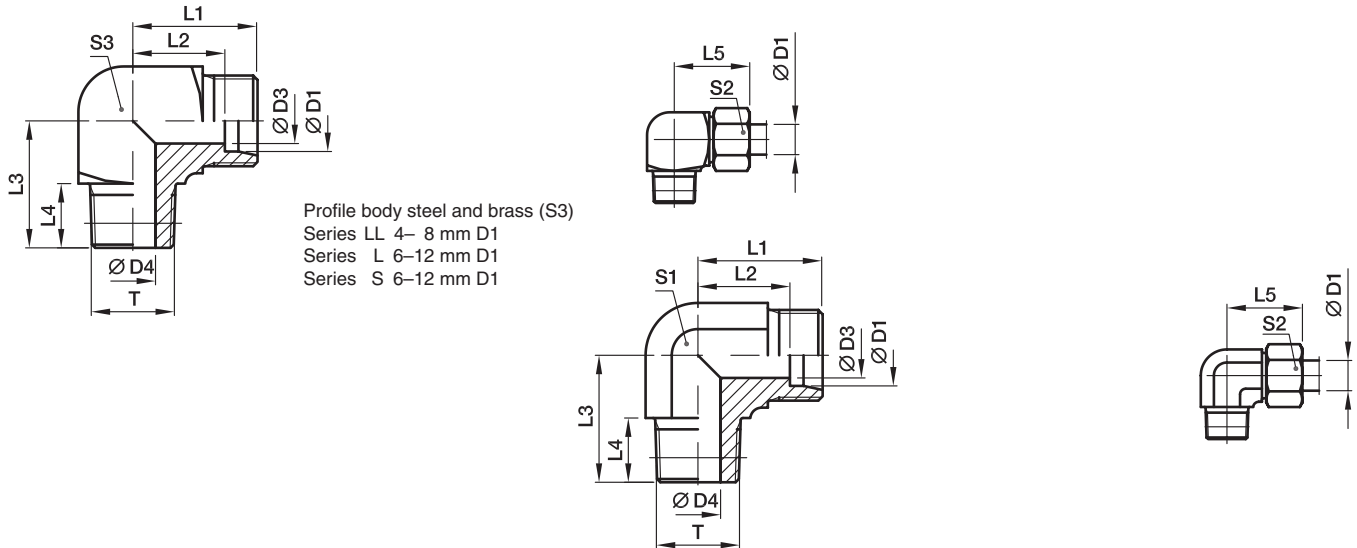
Delivery without nut and ring. Information on ordering complete fittings see page I7.

Order code suffixes		
Material	Suffix surface and material	Example
Steel, zinc plated, Cr(VI)-free	CF	WE20SRCFX
Stainless Steel	71	WE20SR71X
Brass	MS	WE20SRMSX

\*Please add the **suffixes** below according to the material/surface required.

## WE-R (KEG) Male stud elbow

EO 24° cone end / Male short BSP taper thread (DIN 3852-2, type C)



Series	D1	T	D3	D4	L1	L2	L3	L4	L5	S1	S2	S3	Weight g/1 piece	Order code*	PN (bar) <sup>1)</sup>		
															CF	71	MS
LL <sup>2)</sup>	04	R1/8tap.	3.0	4.0	15	11.0	17	8	21	9	10	11	17	WE04LLR	100	100	63
	06	R1/8tap.	4.5	4.5	15	9.5	17	8	21	9	12	11	17	WE06LLR	100	100	63
	08	R1/8tap.	6.0	6.0	17	11.5	20	8	23	12	14	12	24	WE08LLR	100	100	63
	10	R1/4tap.	8.0	7.0	18	12.5	23	12	24	12	17	14	36	WE10LLR	100		
	12	R1/4tap.	10	7.0	19	13.0	23	12	25	14	19	17	46	WE12LLR	100		
L <sup>3)</sup>	06	R1/8tap.	4.0	4.0	19	12.0	20	8	27	12	14	12	30	WE06LR	315	315	200
	06	R1/4tap.	4.0	6.0	21	14.0	26	12	29	12	14	14	47	WE06LR1/4	315	315	
	08	R1/4tap.	6.0	6.0	21	14.0	26	12	29	12	17	14	46	WE08LR	315	315	200
	08	R1/8tap.	6.0	4.0	21	14.0	26	8	29	12	17	14	49	WE08LR1/8	315	315	
	08	R3/8tap.	6.0	9.0	24	17.0	28	12	32	17	17	19	94	WE08LR3/8	315	315	
	10	R1/4tap.	8.0	7.0	22	15.0	27	12	30	14	19	17	61	WE10LR	315	315	200
	10	R3/8tap.	8.0	9.0	24	17.0	28	12	32	17	19	19	87	WE10LR3/8	315	315	
	12	R3/8tap.	10.0	9.0	24	17.0	28	12	32	17	22	19	88	WE12LR	315	315	200
	12	R1/4tap.	10.0	7.0	24	17.0	27	12	32	17	22	19	80	WE12LR1/4	315	315	
	12	R1/2tap.	10.0	11.0	28	21.0	34	14	36	19	22		89	WE12LR1/2	315	315	
	15	R1/2tap.	12.0	11.0	28	21.0	34	14	36	19	27		94	WE15LR	315	315	200
	18	R1/2tap.	15.0	14.0	31	23.5	36	14	40	24	32		141	WE18LR	315	315	200
S <sup>4)</sup>	06	R1/4tap.	4.0	4.0	23	16.0	26	12	31	12	17	14	56	WE06SR	400	400	250
	06	R3/8tap.	4.0	7.0	25	18.0	28	12	33	17	17	19	61	WE06SR3/8	400	400	
	08	R1/4tap.	5.0	5.0	24	17.0	27	12	32	14	19	17	73	WE08SR	400	400	250
	08	R3/8tap.	5.0	7.0	25	18.0	28	12	33	17	19	19	63	WE08SR3/8	400	400	
	10	R3/8tap.	7.0	7.0	25	17.5	28	12	34	17	22	19	104	WE10SR	400	400	250
	10	R1/4tap.	7.0	5.0	25	17.5	28	12	34	17	22	19	59	WE10SR1/4	400	400	
	10	R1/2tap.	7.0	10.0	30	22.5	32	14	39	19	22		98	WE10SR1/2	400	400	
	12	R3/8tap.	8.0	8.0	29	21.5	28	12	38	17	24	22	126	WE12SR	400	400	250
	12	R1/2tap.	8.0	11.0	30	22.5	32	14	39	19	24		97	WE12SR1/2	400	400	
	14	R1/2tap.	10.0	10.0	30	22.0	32	14	40	19	27		101	WE14SR	400	400	250
	16	R1/2tap.	12.0	12.0	33	24.5	32	14	43	24	30		150	WE16SR	400	400	250

1) Pressure shown = item deliverable

2) LL = very light series; 3) L = light series; 4) S = heavy series

$$\frac{\text{PN (bar)}}{10} = \text{PN (MPa)}$$

Delivery without nut and ring. Information on ordering complete fittings see page 17.

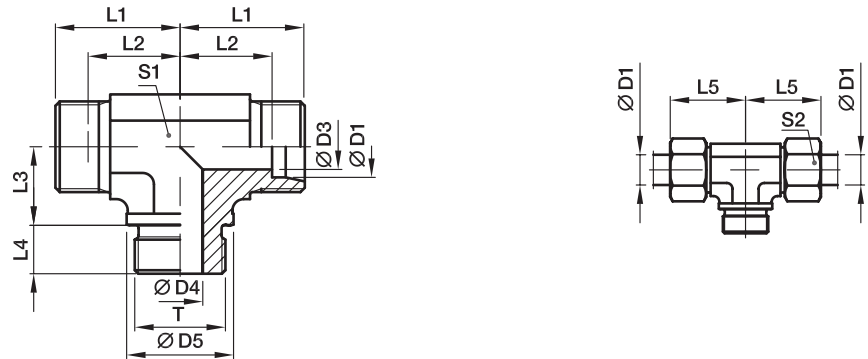
\*Please add the **suffixes** below according to the material/surface required.

Order code suffixes		
Material	Suffix surface and material	Example
Steel, zinc plated, Cr(VI)-free	CF	WE16SRCFX
Stainless Steel	71	WE16SR71X
Brass	MS	WE16SRMSX



## TE-M Male stud branch tee

EO 24° cone end / Male metric thread – metal sealing edge (ISO 9974)



Series	D1	T	D3	D4	D5	L1	L2	L3	L4	L5	S1	S2	Weight g/1 piece	Order code*	PN (bar) <sup>1)</sup>	
															CF	71
L <sup>3)</sup>	22	M26×1.5	19	18	31	35	27.5	26	16	44	27	36	208	<b>TE22LM</b>	160	160
	28	M33×2	24	23	39	38	30.5	30	18	47	36	41	352	<b>TE28LM</b>	160	160
	35	M42×2	30	30	49	45	34.5	34	20	56	41	50	554	<b>TE35LM</b>	160	160
	42	M48×2	36	36	55	51	40.0	39	22	63	50	60	847	<b>TE42LM</b>	160	160
S <sup>4)</sup>	20	M27×2	16	16	32	37	26.5	26	16	48	27	36	265	<b>TE20SM</b>	400	400
	25	M33×2	20	20	39	42	30.0	30	18	54	36	46	482	<b>TE25SM</b>	250	250
	30	M42×2	25	25	49	49	35.5	34	20	62	41	50	772	<b>TE30SM</b>	160	160
	38	M48×2	32	32	55	57	41.0	39	22	72	50	60	1121	<b>TE38SM</b>	160	160

<sup>1)</sup> Pressure shown = item deliverable

<sup>3)</sup> L = light series; <sup>4)</sup> S = heavy series

$$\frac{\text{PN (bar)}}{10} = \text{PN (MPa)}$$

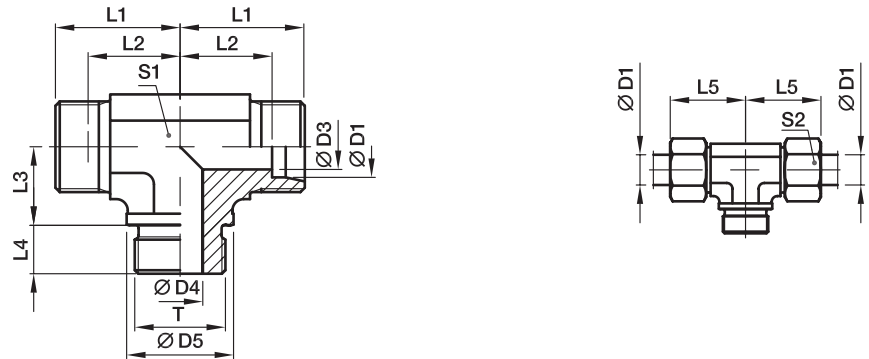
Delivery without nut and ring. Information on ordering complete fittings see page 17.

\*Please add the **suffixes** below according to the material/surface required.

Order code suffixes		
Material	Suffix surface and material	Example
Steel, zinc plated, Cr(VI)-free	CFX	TE20SMCFX
Stainless Steel	71X	TE20SM71X

## TE-R Male stud branch tee

EO 24° cone end / Male BSPP thread – metal sealing edge (ISO 1179)



Series	D1	T	D3	D4	D5	L1	L2	L3	L4	L5	S1	S2	Weight g/1 piece	Order code*	PN (bar) <sup>1)</sup>		
															CF	71	MS
L <sup>3)</sup>	22	G3/4A	19	18	32	35	27.5	26	16	44	27	36	208	<b>TE22LR</b>	160	160	100
	28	G1A	24	23	39	38	30.5	30	18	47	36	41	378	<b>TE28LR</b>	160	160	100
	35	G1 1/4 A	30	30	49	45	34.5	34	20	56	41	50	554	<b>TE35LR</b>	160	160	100
	42	G1 1/2 A	36	36	55	51	40.0	39	22	63	50	60	847	<b>TE42LR</b>	160	160	100
S <sup>4)</sup>	20	G3/4 A	16	16	32	37	26.5	26	16	48	27	36	267	<b>TE20SR</b>	400	400	250
	25	G1A	20	20	39	42	30.0	30	18	54	36	46	485	<b>TE25SR</b>	250	250	
	30	G1 1/4 A	25	25	49	49	35.5	34	20	62	41	50	762	<b>TE30SR</b>	160	160	
	38	G1 1/2 A	32	32	55	57	41.0	39	22	72	50	60	1121	<b>TE38SR</b>	160	160	

<sup>1)</sup> Pressure shown = item deliverable

<sup>3)</sup> L = light series; <sup>4)</sup> S = heavy series

$$\frac{\text{PN (bar)}}{10} = \text{PN (MPa)}$$

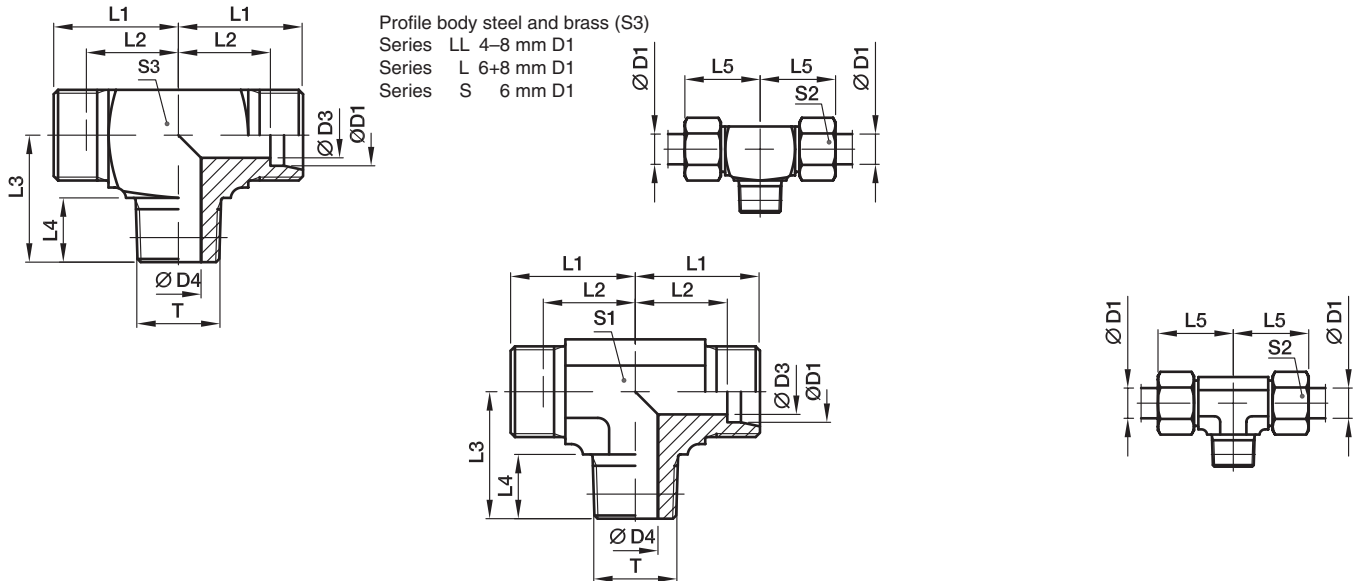
Delivery without nut and ring. Information on ordering complete fittings see page 17.

Order code suffixes		
Material	Suffix surface and material	Example
Steel, zinc plated, Cr(VI)-free	CF	TE20SRCFX
Stainless Steel	71	TE20SR71X
Brass	MS	TE20SRMSX

\*Please add the **suffixes** below according to the material/surface required.

## TE-R (KEG) Male stud branch tee

EO 24° cone end / Male short BSP taper thread (DIN 3852-2, type C)



Series	D1	T	D3	D4	L1	L2	L3	L4	L5	S1	S2	S3	Weight g/1 piece	Order code*	PN (bar) <sup>1)</sup>		
															CF	71	MS
LL <sup>2)</sup>	04	R1/8tap.	3.0	4.0	15	11.0	17	8	21	9	10	11	21	<b>TE04LLR</b>	100	100	63
	06	R1/8tap.	4.5	4.5	15	9.5	17	8	21	9	12	11	21	<b>TE06LLR</b>	100	100	63
	08	R1/8tap.	6.0	6.0	17	11.5	20	8	23	12	14	12	29	<b>TE08LLR</b>	100	100	63
L <sup>3)</sup>	06	R1/8tap.	4.0	4.0	19	12.0	20	8	27	12	14	12	38	<b>TE06LR</b>	315	315	200
	08	R1/4tap.	6.0	6.0	21	14.0	26	12	29	12	17	14	58	<b>TE08LR</b>	315	315	200
	10	R1/4tap.	8.0	7.0	22	15.0	27	12	30	14	19		43	<b>TE10LR</b>	315	315	200
	12	R3/8tap.	10.0	9.0	24	17.0	28	12	32	17	22		61	<b>TE12LR</b>	315	315	200
	15	R1/2tap.	12.0	11.0	28	21.0	34	14	36	19	27		113	<b>TE15LR</b>	315	315	200
	18	R1/2tap.	15.0	14.0	31	23.5	36	14	40	24	32		149	<b>TE18LR</b>	315	315	200
S <sup>4)</sup>	06	R1/4tap.	4.0	4.0	23	16.0	26	12	31	12	17	14	73	<b>TE06SR</b>	400	400	250
	08	R1/4tap.	5.0	5.0	24	17.0	27	12	32	14	19		61	<b>TE08SR</b>	400	400	250
	10	R3/8tap.	7.0	7.0	25	17.5	28	12	34	17	22		82	<b>TE10SR</b>	400	400	250
	12	R3/8tap.	8.0	8.0	29	21.5	28	12	38	17	24		105	<b>TE12SR</b>	400	400	250
	14	R1/2tap.	10.0	10.0	30	22.0	32	14	40	19	27		134	<b>TE14SR</b>	400	400	250
	16	R1/2tap.	12.0	12.0	33	24.5	32	14	43	24	30		175	<b>TE16SR</b>	400	400	250

<sup>1)</sup> Pressure shown = item deliverable

<sup>2)</sup> LL = very light series; <sup>3)</sup> L = light series; <sup>4)</sup> S = heavy series

$\frac{PN \text{ (bar)}}{10} = PN \text{ (MPa)}$

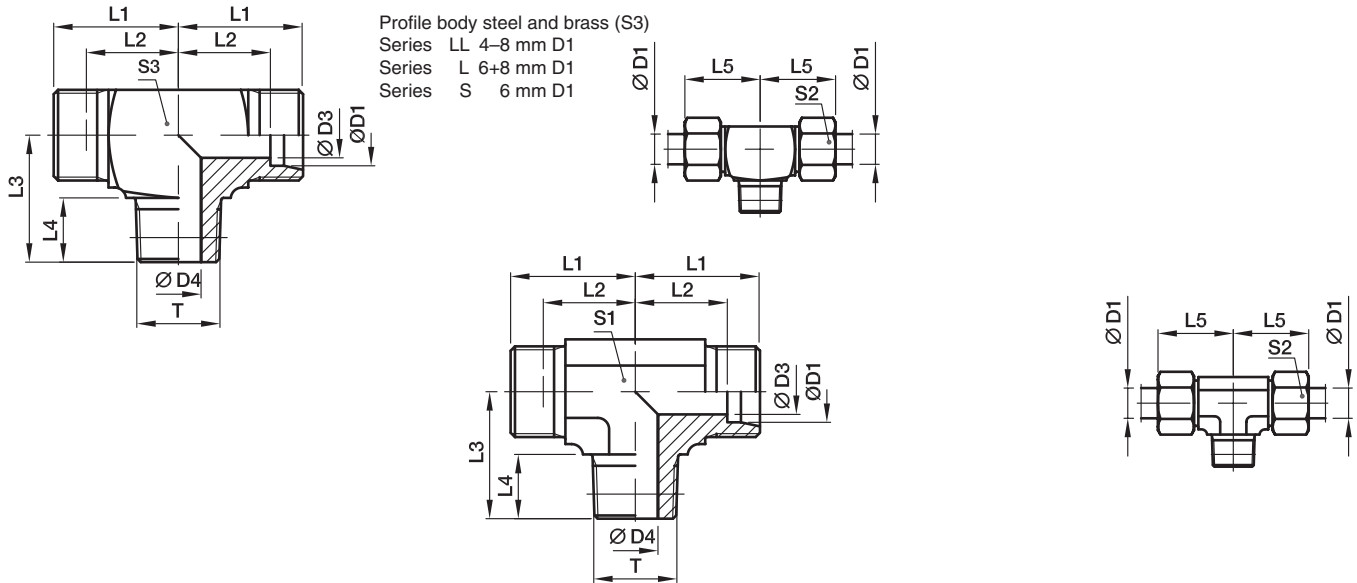
Delivery without nut and ring. Information on ordering complete fittings see page 17.

\*Please add the **suffixes** below according to the material/surface required.

Order code suffixes		
Material	Suffix surface and material	Example
Steel, zinc plated, Cr(VI)-free	CF	TE16SRCFX
Stainless Steel	71	TE16SR71X
Brass	MS	TE16SRMSX

## TE-M(KEG) Male stud branch tee

EO 24° cone end / Male short metric taper thread (DIN 3852-1, type C)



Series	D1	T	D3	D4	L1	L2	L3	L4	L5	S1	S2	S3	Weight g/1 piece	Order code*	PN (bar) <sup>1)</sup>	
															CF	71
LL <sup>2)</sup>	04	M8×1tap.	3.0	3.5	15	11.0	17	8	21	9	10	9	17	<b>TE04LLM</b>	100	100
	06	M10×1tap.	4.5	4.5	15	9.5	17	8	21	9	12	11	20	<b>TE06LLM</b>	100	100
	08	M10×1tap.	6.0	6.0	17	11.5	20	8	23	12	14	12	29	<b>TE08LLM</b>	100	100
L <sup>3)</sup>	06	M10×1tap.	4.0	4.0	19	12.0	20	8	27	12	14	12	38	<b>TE06LM</b>	315	315
	08	M12×1.5tap.	6.0	6.0	21	14.0	26	12	29	12	17	14	54	<b>TE08LM</b>	315	315
	10	M14×1.5tap.	8.0	7.0	22	15.0	27	12	30	14	19		45	<b>TE10LM</b>	315	315
	12	M16×1.5tap.	10.0	9.0	24	17.0	28	12	32	17	22		60	<b>TE12LM</b>	315	315
	15	M18×1.5tap.	12.0	11.0	28	21.0	32	12	36	19	27		100	<b>TE15LM</b>	315	315
	18	M22×1.5tap.	15.0	14.0	31	23.5	36	14	40	24	32		149	<b>TE18LM</b>	315	315
S <sup>4)</sup>	06	M12×1.5tap.	4.0	4.0	23	16.0	26	12	31	12	17	14	69	<b>TE06SM</b>	400	400
	08	M14×1.5tap.	5.0	5.0	24	17.0	27	12	32	14	19		98	<b>TE08SM</b>	400	400
	10	M16×1.5tap.	7.0	7.0	25	17.5	28	12	34	17	22		82	<b>TE10SM</b>	400	400
	12	M18×1.5tap.	8.0	8.0	29	21.5	28	12	38	17	24		106	<b>TE12SM</b>	400	400
	14	M20×1.5tap.	10.0	10.0	30	22.0	32	14	40	19	27		126	<b>TE14SM</b>	400	400
	16	M22×1.5tap.	12.0	12.0	33	24.5	32	14	43	24	30		177	<b>TE16SM</b>	400	400

<sup>1)</sup> Pressure shown = item deliverable

<sup>2)</sup> LL = very light series; <sup>3)</sup> L = light series; <sup>4)</sup> S = heavy series

$$\frac{PN \text{ (bar)}}{10} = PN \text{ (MPa)}$$

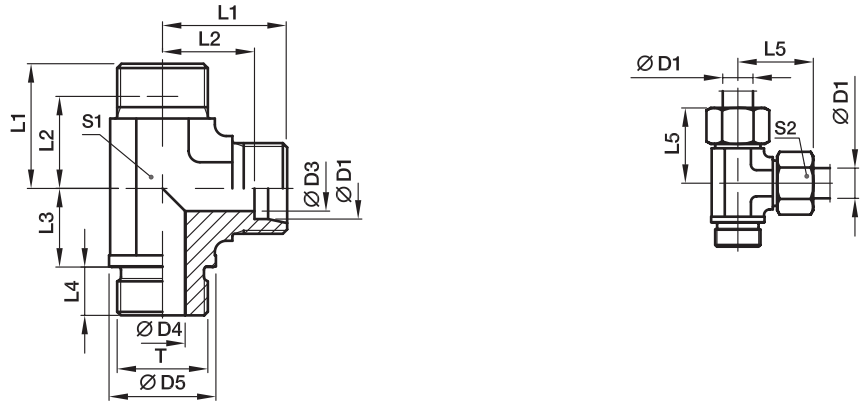
Delivery without nut and ring. Information on ordering complete fittings see page I7.

\*Please add the **suffixes** below according to the material/surface required.

Order code suffixes		
Material	Suffix surface and material	Example
Steel, zinc plated, Cr(VI)-free	CFX	TE16SMCFX
Stainless Steel	71X	TE16SM71X

## LE-M Male stud run tee

EO 24° cone end / Male metric thread – metal sealing edge (ISO 9974)



Series	D1 	T	D3	D4	D5	L1	L2	L3	L4	L5	S1	S2	Weight g/1 piece	Order code*	PN (bar) <sup>1)</sup>	
															CF	71
L <sup>3)</sup>	22	M26×1.5	19	18	31	35	27.5	26	16	44	27	36	225	<b>LE22LM</b>	160	160
	28	M33×2	24	23	39	38	30.5	30	18	47	36	41	382	<b>LE28LM</b>	160	160
	35	M42×2	30	30	49	45	34.5	34	20	56	41	50	583	<b>LE35LM</b>	160	160
	42	M48×2	36	36	55	51	40.0	39	22	63	50	60	821	<b>LE42LM</b>	160	160
S <sup>4)</sup>	20	M27×2	16	16	32	37	26.5	26	16	48	27	36	264	<b>LE20SM</b>	400	400
	25	M33×2	20	20	39	42	30.0	30	18	54	36	46	497	<b>LE25SM</b>	250	250
	30	M42×2	25	25	49	49	35.5	34	20	62	41	50	744	<b>LE30SM</b>	160	160
	38	M48×2	32	32	55	57	41.0	39	22	72	50	60	1111	<b>LE38SM</b>	160	160

<sup>1)</sup> Pressure shown = item deliverable

<sup>3)</sup> L = light series; <sup>4)</sup> S = heavy series

$$\frac{\text{PN (bar)}}{10} = \text{PN (MPa)}$$

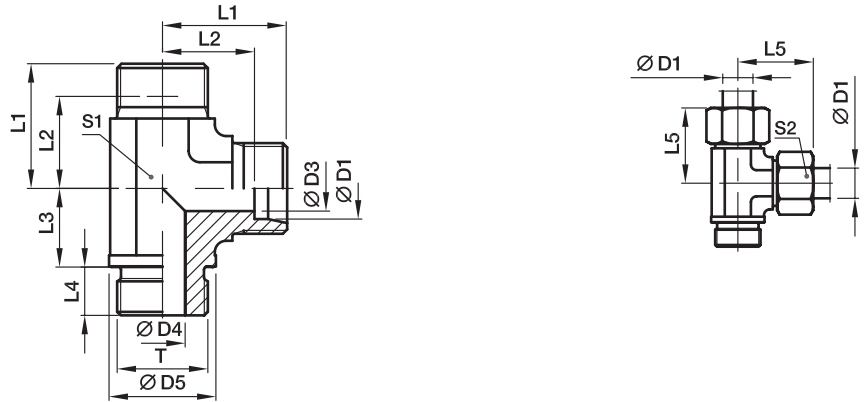
Delivery without nut and ring. Information on ordering complete fittings see page 17.

\*Please add the **suffixes** below according to the material/surface required.

Order code suffixes		
Material	Suffix surface and material	Example
Steel, zinc plated, Cr(VI)-free	CF	LE20SMCFX
Stainless Steel	71	LE20SM71X

## LE-R Male stud run tee

EO 24° cone end / Male BSPP thread – metal sealing edge (ISO 1179)



Series	D1	T	D3	D4	D5	L1	L2	L3	L4	L5	S1	S2	Weight g/1 piece	Order code*	PN (bar) <sup>1)</sup>	
															CF	71
L <sup>3)</sup>	22	G3/4A	19	18	32	35	27.5	26	16	44	27	36	225	<b>LE22LR</b>	160	160
	28	G1A	24	23	39	38	30.5	30	18	47	36	41	358	<b>LE28LR</b>	160	160
	35	G1 1/4A	30	30	49	45	34.5	34	20	56	41	50	583	<b>LE35LR</b>	160	160
	42	G1 1/2A	36	36	55	51	40.0	39	22	63	50	60	821	<b>LE42LR</b>	160	160
S <sup>4)</sup>	20	G3/4A	16	16	32	37	26.5	26	16	48	27	36	259	<b>LE20SR</b>	400	400
	25	G1A	20	20	39	42	30.0	30	18	54	36	46	495	<b>LE25SR</b>	250	250
	30	G1 1/4A	25	25	49	49	35.5	34	20	62	41	50	744	<b>LE30SR</b>	160	160
	38	G1 1/2A	32	32	55	57	41.0	39	22	72	50	60	1111	<b>LE38SR</b>	160	160

<sup>1)</sup> Pressure shown = item deliverable

<sup>3)</sup> L = light series; <sup>4)</sup> S = heavy series

$$\frac{\text{PN (bar)}}{10} = \text{PN (MPa)}$$

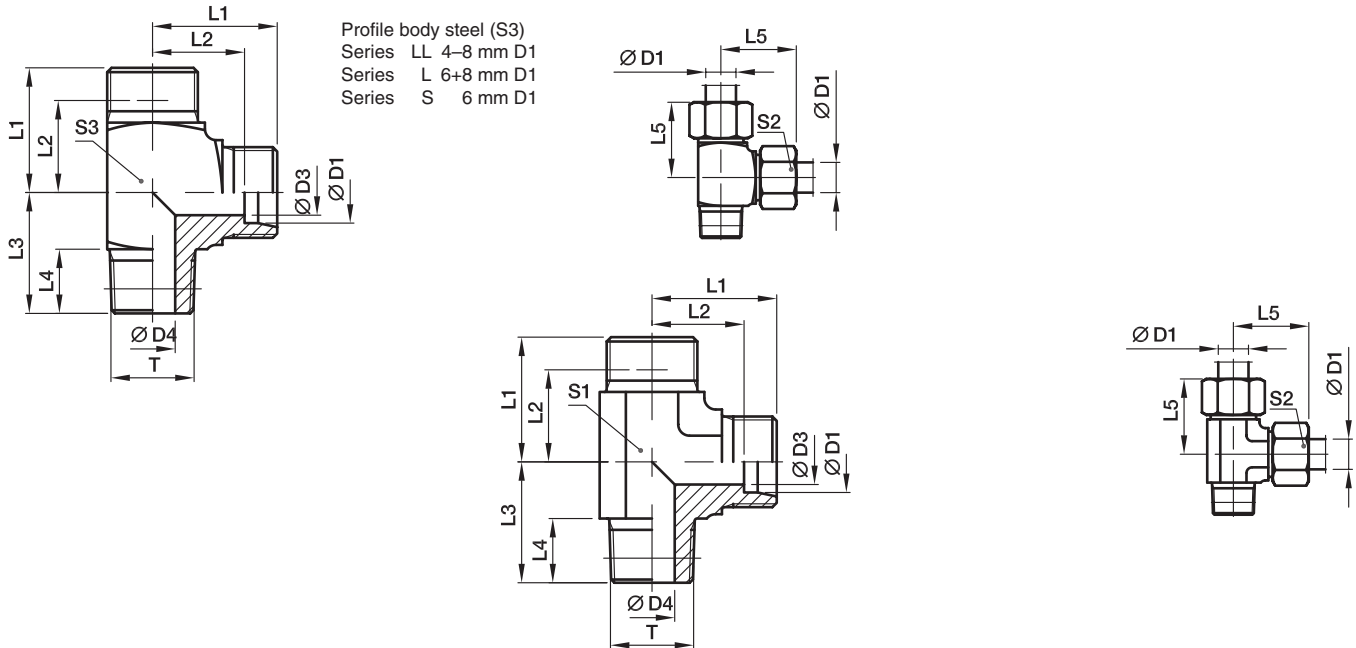
Delivery without nut and ring. Information on ordering complete fittings see page 17.

\*Please add the **suffixes** below according to the material/surface required.

Order code suffixes		
Material	Suffix surface and material	Example
Steel, zinc plated, Cr(VI)-free	CF	LE20SRCFX
Stainless Steel	71	LE20SR71X

## LE-R (KEG) Male stud run tee

EO 24° cone end / Male short BSP taper thread (DIN 3852-2, type C)



Profile body steel (S3)  
 Series LL 4-8 mm D1  
 Series L 6+8 mm D1  
 Series S 6 mm D1

Series	D1	T	D3	D4	L1	L2	L3	L4	L5	S1	S2	S3	Weight g/1 piece	Order code*	PN (bar) <sup>1)</sup>	
															CF	71
LL <sup>2)</sup>	04	R1/8tap.	3.0	4.0	15	11.0	17	8	21	9	10	11	20	LE04LLR	100	100
	06	R1/8tap.	4.5	4.5	15	9.5	17	8	21	9	12	11	21	LE06LLR	100	100
	08	R1/8tap.	6.0	6.0	17	11.5	20	8	23	12	14	12	28	LE08LLR	100	100
L <sup>3)</sup>	06	R1/8tap.	4.0	4.0	19	12.0	20	8	27	12	14	12	40	LE06LR	315	315
	08	R1/4tap.	6.0	6.0	21	14.0	26	12	29	12	17	14	57	LE08LR	315	315
	10	R1/4tap.	8.0	7.0	22	15.0	27	12	30	14	19		50	LE10LR	315	315
	12	R3/8tap.	10.0	9.0	24	17.0	28	12	32	17	22		60	LE12LR	315	315
	15	R1/2tap.	12.0	11.0	28	21.0	34	14	36	19	27		115	LE15LR	315	315
	18	R1/2tap.	15.0	14.0	31	23.5	36	14	40	24	32		145	LE18LR	315	315
S <sup>4)</sup>	06	R1/4tap.	4.0	4.0	23	16.0	26	12	31	12	17	14	71	LE06SR	400	400
	08	R1/4tap.	5.0	5.0	24	17.0	27	12	32	14	19		62	LE08SR	400	400
	10	R3/8tap.	7.0	7.0	25	17.5	28	12	34	17	22		82	LE10SR	400	400
	12	R3/8tap.	8.0	8.0	29	21.5	28	12	38	17	24		102	LE12SR	400	400
	14	R1/2tap.	10.0	10.0	30	22.0	32	14	40	19	27		130	LE14SR	400	400
	16	R1/2tap.	12.0	12.0	33	24.5	32	14	43	24	30		193	LE16SR	400	400

<sup>1)</sup> Pressure shown = item deliverable

<sup>2)</sup> LL = very light series; <sup>3)</sup> L = light series; <sup>4)</sup> S = heavy series

$$\frac{PN \text{ (bar)}}{10} = PN \text{ (MPa)}$$

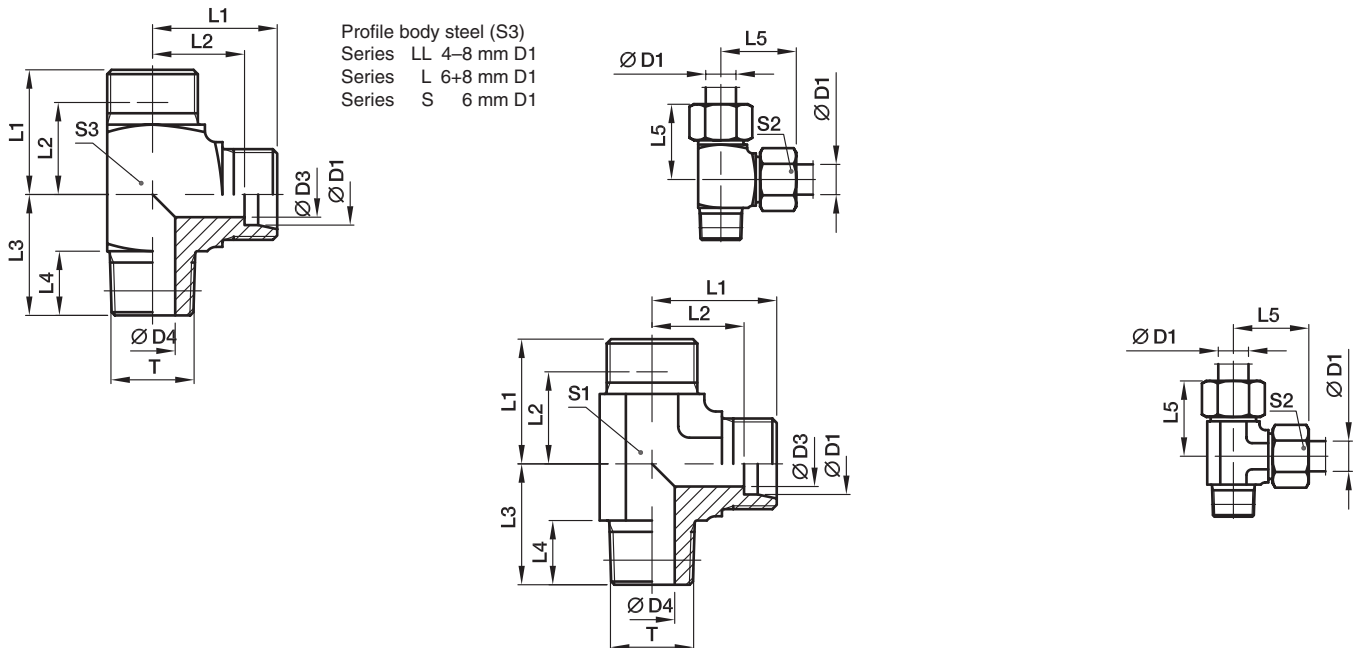
Delivery without nut and ring. Information on ordering complete fittings see page I7.

\*Please add the **suffixes** below according to the material/surface required.

Order code suffixes		
Material	Suffix surface and material	Example
Steel, zinc plated, Cr(VI)-free	CF	LE16SRCFX
Stainless Steel	71	LE16SR71X

## LE-M(KEG) Male stud run tee

EO 24° cone end / Male short metric taper thread (DIN 3852-1, Form C)



Series	D1	T	D3	D4	L1	L2	L3	L4	L5	S1	S2	S3	Weight g/1 piece	Order code*	PN (bar) <sup>1)</sup>	
															CF	71
LL <sup>2)</sup>	04	M8×1tap.	3.0	3.5	15	11.0	17	8	21	9	10	9	17	LE04LLM	100	100
	06	M10×1tap.	4.5	4.5	15	9.5	17	8	21	9	12	11	21	LE06LLM	100	100
	08	M10×1tap.	6.0	6.0	17	11.5	20	8	23	12	14	12	29	LE08LLM	100	100
L <sup>3)</sup>	06	M10×1tap.	4.0	4.0	19	12.0	20	8	27	12	14	12	38	LE06LM	315	315
	08	M12×1.5tap.	6.0	6.0	21	14.0	26	12	29	12	17	14	56	LE08LM	315	315
	10	M14×1.5tap.	8.0	7.0	22	15.0	27	12	30	14	19		47	LE10LM	315	315
	12	M16×1.5tap.	10.0	9.0	24	17.0	28	12	32	17	22		58	LE12LM	315	315
	15	M18×1.5tap.	12.0	11.0	28	21.0	32	12	36	19	27		98	LE15LM	315	315
	18	M22×1.5tap.	15.0	14.0	31	23.5	36	14	40	24	32		156	LE18LM	315	315
S <sup>4)</sup>	06	M12×1.5tap.	4.0	4.0	23	16.0	26	12	31	12	17	14	70	LE06SM	400	400
	08	M14×1.5tap.	5.0	5.0	24	17.0	27	12	32	14	19		66	LE08SM	400	400
	10	M16×1.5tap.	7.0	7.0	25	17.5	28	12	34	17	22		123	LE10SM	400	400
	12	M18×1.5tap.	8.0	8.0	29	21.5	28	12	38	17	24		169	LE12SM	400	400
	14	M20×1.5tap.	10.0	10.0	30	22.0	32	14	40	19	27		174	LE14SM	400	400
	16	M22×1.5tap.	12.0	12.0	33	24.5	32	14	43	24	30		178	LE16SM	400	400

<sup>1)</sup> Pressure shown = item deliverable

<sup>2)</sup> LL = very light series; <sup>3)</sup> L = light series; <sup>4)</sup> S = heavy series

$$\frac{\text{PN (bar)}}{10} = \text{PN (MPa)}$$

Delivery without nut and ring. Information on ordering complete fittings see page I7.

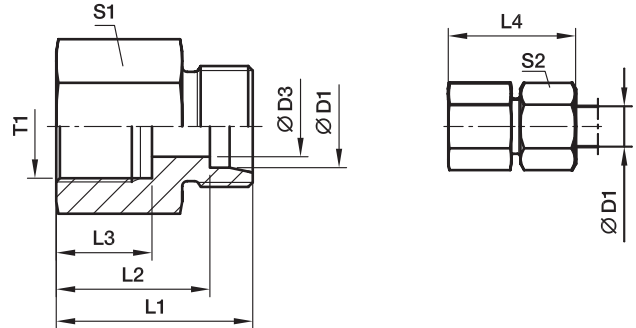
\*Please add the **suffixes** below according to the material/surface required.

Order code suffixes		
Material	Suffix surface and material	Example
Steel, zinc plated, Cr(VI)-free	CF	LE16SMCFX
Stainless Steel	71	LE16SM71X



## GAI-M Female connector

Female metric thread (ISO 9974-1) / EO 24° cone end



Series	D1	T1	D3	L1	L2	L3	L4	S1	S2	Weight g/1 piece	Order code*	PN (bar) <sup>1)</sup>	
												CF	71
L <sup>3)</sup>	06	M10×1	4	26.5	19.5	12.5	34	14	14	18	<b>GAI06LM</b>	315	315
	08	M12×1.5	6	31.0	24.0	17.0	39	17	17	32	<b>GAI08LM</b>	315	315
	10	M14×1.5	8	32.0	25.0	17.0	40	19	19	39	<b>GAI10LM</b>	315	315
	12	M16×1.5	10	33.0	26.0	17.0	41	22	22	52	<b>GAI12LM</b>	315	315
	15	M18×1.5	12	35.0	28.0	17.0	43	24	27	68	<b>GAI15LM</b>	315	315
	18	M22×1.5	15	37.0	29.5	19.0	46	30	32	111	<b>GAI18LM</b>	315	315
	22	M26×1.5	19	42.0	34.5	21.0	51	32	36	123	<b>GAI22LM</b>	160	160
	28	M33×2	24	45.0	37.5	24.0	54	41	41	211	<b>GAI28LM</b>	160	160
	35	M42×2	30	51.0	40.5	26.0	62	55	50	459	<b>GAI35LM</b>	160	160
	42	M48×2	36	53.0	42.0	28.0	65	60	60	522	<b>GAI42LM</b>	160	160
S <sup>4)</sup>	06	M12×1.5	4	33.0	26.0	17.0	41	17	17	35	<b>GAI06SM</b>	400	400
	08	M14×1.5	5	33.0	26.0	17.0	41	17	19	42	<b>GAI08SM</b>	400	400
	10	M16×1.5	7	34.0	26.5	17.0	43	22	22	58	<b>GAI10SM</b>	400	400
	12	M18×1.5	8	35.0	27.5	17.0	44	24	24	70	<b>GAI12SM</b>	400	400
	14	M20×1.5	10	39.0	31.0	19.0	49	27	27	95	<b>GAI14SM</b>	400	400
	16	M22×1.5	12	39.0	30.5	19.0	49	30	30	114	<b>GAI16SM</b>	400	400
	20	M27×2	16	45.0	34.5	22.0	56	36	36	189	<b>GAI20SM</b>	315	315
	25	M33×2	20	49.0	37.0	24.0	61	41	46	235	<b>GAI25SM</b>	315	315
	30	M42×2	25	55.0	41.5	26.0	68	55	50	490	<b>GAI30SM</b>	315	315
	38	M48×2	32	59.0	43.0	28.0	74	60	60	597	<b>GAI38SM</b>	250	250

1) Pressure shown = item deliverable

3) L = light series; 4) S = heavy series

$$\frac{PN \text{ (bar)}}{10} = PN \text{ (MPa)}$$

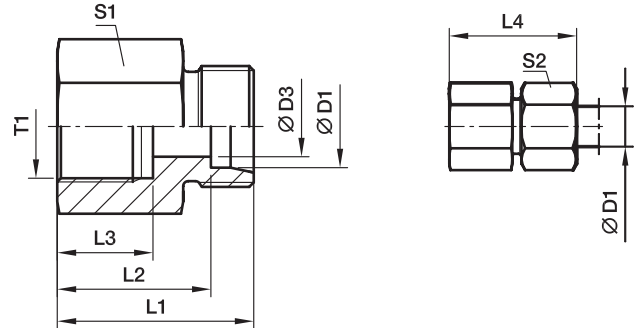
Delivery without nut and ring. Information on ordering complete fittings see page I7.

\*Please add the **suffixes** below according to the material/surface required.

Order code suffixes		
Material	Suffix surface and material	Example
Steel, zinc plated, Cr(VI)-free	CFX	GAI16SMCFX
Stainless Steel	71X	GAI16SM71X

## GAI-R Female connector

Female BSPP thread (ISO 1179-1) / EO 24° cone end



Series	D1	T1	D3	L1	L2	L3	L4	S1	S2	Weight g/1 piece	Order code*	PN (bar) <sup>1)</sup>		
												CF	71	MS
L <sup>3)</sup>	06	G1/8	4	26.0	19.0	12.0	34	14	14	18	<b>GAI06LR</b>	315	315	200
	06	G1/4	4	31.0	24.0	17.0	39	19	14	39	<b>GAI06LR1/4</b>	315	315	200
	08	G1/4	6	31.0	24.0	17.0	39	19	17	39	<b>GAI08LR</b>	315	315	200
	08	G3/8	6	32.0	25.0	17.0	40	24	17	61	<b>GAI08LR3/8</b>	315	315	200
	08	G1/2	6	36.0	29.0	20.0	44	27	17	80	<b>GAI08LR1/2</b>	315	315	200
	10	G1/4	8	32.0	25.0	17.0	40	19	19	40	<b>GAI10LR</b>	315	315	200
	10	G3/8	8	33.0	26.0	17.0	41	24	19	63	<b>GAI10LR3/8</b>	315	315	200
	10	G1/2	8	37.0	30.0	20.0	45	27	19	81	<b>GAI10LR1/2</b>	315	315	200
	12	G3/8	10	33.0	26.0	17.0	41	24	22	64	<b>GAI12LR</b>	315	315	200
	12	G1/2	10	37.0	30.0	20.0	45	27	22	83	<b>GAI12LR1/2</b>	315	315	200
	15	G1/2	12	38.0	31.0	20.0	46	27	27	87	<b>GAI15LR</b>	315	315	200
	18	G1/2	15	38.0	30.5	20.0	47	27	32	89	<b>GAI18LR</b>	315	315	200
	18	G3/8	15	34.0	26.5	17.0	43	27	32	95	<b>GAI18LR3/8</b>	315	315	200
	22	G3/4	19	43.0	35.5	22.0	52	36	36	173	<b>GAI22LR</b>	160	160	100
	28	G1	24	45.5	38.0	24.5	55	41	41	211	<b>GAI28LR</b>	160	160	100
	35	G11/4	30	51.5	41.0	26.5	63	55	50	469	<b>GAI35LR</b>	160	160	100
42	G11/2	36	53.5	42.5	28.5	65	60	60	540	<b>GAI42LR</b>	160	160	100	
S <sup>4)</sup>	06	G1/4	4	33.0	26.0	17.0	41	19	17	43	<b>GAI06SR</b>	400	400	
	08	G1/4	5	33.0	26.0	17.0	41	19	19	47	<b>GAI08SR</b>	400	400	
	10	G3/8	7	34.0	26.5	17.0	43	24	22	68	<b>GAI10SR</b>	400	400	
	12	G3/8	8	34.0	26.5	17.0	43	24	24	71	<b>GAI12SR</b>	400	400	
	12	G1/2	8	38.0	30.5	20.0	47	30	24	121	<b>GAI12SR1/2</b>	400	400	
	14	G1/2	10	40.0	32.0	20.0	50	30	27	125	<b>GAI14SR</b>	400	400	
	16	G1/2	12	40.0	31.5	20.0	50	30	30	126	<b>GAI16SR</b>	400	400	
	20	G3/4	16	45.0	34.5	22.0	56	36	36	196	<b>GAI20SR</b>	315	315	
	25	G1	20	49.5	37.5	24.5	62	41	46	246	<b>GAI25SR</b>	315	315	
	30	G11/4	25	55.5	42.0	26.5	69	55	50	537	<b>GAI30SR</b>	315	315	
	38	G11/2	32	59.5	43.5	28.5	74	60	60	649	<b>GAI38SR</b>	250	250	

<sup>1)</sup> Pressure shown = item deliverable

<sup>3)</sup> L = light series; <sup>4)</sup> S = heavy series

$$\frac{\text{PN (bar)}}{10} = \text{PN (MPa)}$$

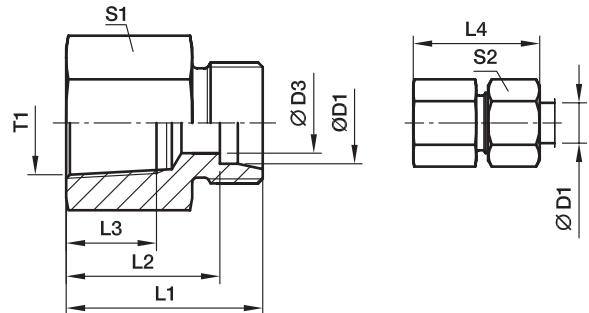
Delivery without nut and ring. Information on ordering complete fittings see page I7.

\*Please add the **suffixes** below according to the material/surface required.

Order code suffixes		
Material	Suffix surface and material	Example
Steel, zinc plated, Cr(VI)-free	CF	GAI16SRCFX
Stainless Steel	71	GAI16SR71X
Brass	MS	GAI16SRMSX

## GAI-NPT Female connector

Female NPT thread (SAE 476) / EO 24° cone end



Series	D1	T1	D3	L1	L2	L3	L4	S1	S2	Weight g/1 piece	Order code*	PN (bar) <sup>1)</sup>		
												CF	71	
L <sup>3)</sup>	06	1/8-27NPT	4	26.0	19.0	11.6	34	14	14	19	<b>GAI06L1/8NPT</b>	315	315	
	06	1/4-18NPT	4	30.5	23.5	16.4	38	19	14	38	<b>GAI06L1/4NPT</b>	315	315	
	08	1/4-18NPT	6	30.5	23.5	16.4	38	19	17	39	<b>GAI08L1/4NPT</b>	315	315	
	10	1/4-18NPT	8	31.0	24.0	16.4	39	19	19	40	<b>GAI10L1/4NPT</b>	315	315	
	12	3/8-18NPT	10	34.0	27.0	17.4	42	24	22	69	<b>GAI12L3/8NPT</b>	315	315	
	12	1/2-14NPT	10	39.0	32.0	22.6	47	27	22	91	<b>GAI12L1/2NPT</b>	315	315	
	15	1/2-14NPT	12	40.0	33.0	22.6	48	27	27	96	<b>GAI15L1/2NPT</b>	315	315	
	18	1/2-14NPT	15	40.0	32.5	22.6	49	27	32	99	<b>GAI18L1/2NPT</b>	315	315	
	22	3/4-14NPT	19	43.0	35.5	23.1	52	36	36	184	<b>GAI22L3/4NPT</b>	160	160	
	28	1-11 1/2NPT	24	48.0	40.5	27.8	57	41	41	238	<b>GAI28L1NPT</b>	160	160	
	35	1 1/4-11 1/2NPT	30	51.0	40.5	28.3	62	55	50	424	<b>GAI35L11/4NPT</b>	160	160	
	42	1 1/2-11 1/2NPT	36	53.0	42.0	28.3	65	60	60	547	<b>GAI42L11/2NPT</b>	160	160	
	S <sup>4)</sup>	06	1/8-27NPT	4	29.0	22.0	11.6	36	14	17	25	<b>GAI06S1/8NPT</b>	400	400
		06	1/4-18NPT	4	33.0	26.0	16.4	41	19	17	41	<b>GAI06S1/4NPT</b>	400	400
08		1/4-18NPT	5	33.0	26.0	16.4	41	19	19	42	<b>GAI08S1/4NPT</b>	400	400	
10		3/8-18NPT	7	35.0	27.0	17.4	44	24	22	74	<b>GAI10S3/8NPT</b>	400	400	
12		1/4-18NPT	8	32.5	25.0	16.4	41	22	24	81	<b>GAI12S1/4NPT</b>	400	400	
12		3/8-18NPT	8	35.0	27.5	17.4	44	24	24	76	<b>GAI12S3/8NPT</b>	400	400	
12		1/2-14NPT	8	41.0	33.5	22.6	50	27	24	101	<b>GAI12S1/2NPT</b>	400	400	
14		1/2-14NPT	10	43.0	35.0	22.6	53	27	27	108	<b>GAI14S1/2NPT</b>	400	400	
16		1/2-14NPT	12	43.0	34.5	22.6	50	27	30	111	<b>GAI16S1/2NPT</b>	400	400	
20		1/2-14NPT	16	44.0	33.5	22.6	55	32	36	129	<b>GAI20S1/2NPT</b>	315	315	
20		3/4-14NPT	16	46.0	35.5	23.1	57	36	36	214	<b>GAI20S3/4NPT</b>	315	315	
25		1-11 1/2NPT	20	53.0	41.0	27.8	65	41	46	288	<b>GAI25S1NPT</b>	315	315	
30		1 1/4-11 1/2NPT	25	57.0	43.5	28.3	70	55	50	559	<b>GAI30S11/4NPT</b>	315	315	
38		1 1/2-11 1/2NPT	32	59.0	43.0	28.3	74	60	60	632	<b>GAI38S11/2NPT</b>	250	250	

1) Pressure shown = item deliverable

3) L = light series; 4) S = heavy series

$$\frac{\text{PN (bar)}}{10} = \text{PN (MPa)}$$

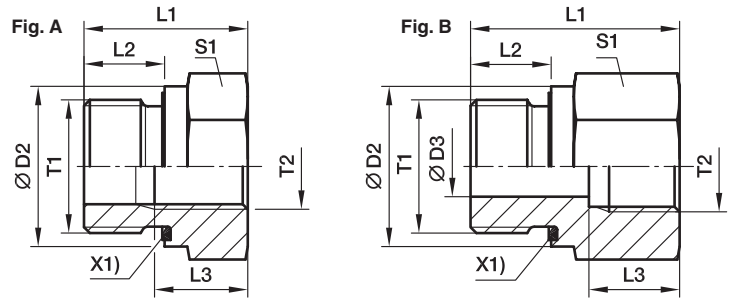
Delivery without nut and ring. Information on ordering complete fittings see page I7.

\*Please add the **suffixes** below according to the material/surface required.

Order code suffixes		
Material	Suffix surface and material	Example
Steel, zinc plated, Cr(VI)-free	CFX	GAI16S1/2NPTCFX
Stainless Steel	71X	GAI16S1/2NPT71X

## RI-ED Thread reducer/expander

Male BSPP thread – ED-seal (ISO 1179) / Female BSPP thread (ISO 1179-1)



X1) Eolastic-sealing ED

Male Stud T1	Female Stud T2	D2	D3	L1	L2	L3	S1	Fig.	Weight g/1 piece	Order code*	PN (bar) <sup>1)</sup>	
											CF	71
G 1/8 A	G 1/4	14	4	31.0	8	17.0	19	B	41	RI1/8EDX1/4	400	400
G 1/8 A	G 3/8	14	4	32.0	8	17.0	24	B	63	RI1/8EDX3/8	400	400
G 1/4 A	G 1/8	19	5	29.0	12	12.0	19	B	41	RI1/4EDX1/8	400	400
G 1/4 A	G 3/8	19	5	36.0	12	17.0	24	B	69	RI1/4EDX3/8	400	400
G 1/4 A	G 1/2	19	5	40.0	12	20.0	30	B	120	RI1/4EDX1/2	400	400
G 1/4 A	G 3/4	19	5	43.0	12	22.0	36	B	171	RI1/4EDX3/4	400	400
G 3/8 A	G 1/8	22		22.5	12	8.0	22	A	38	RI3/8EDX1/8	400	400
G 3/8 A	G 1/4	22	8	36.0	12	17.0	22	B	68	RI3/8EDX1/4	400	400
G 3/8 A	G 1/2	22	8	41.0	12	20.0	30	B	124	RI3/8EDX1/2	400	400
G 3/8 A	G 3/4	22	8	44.0	12	22.0	36	B	182	RI3/8EDX3/4	315	315
G 1/2 A	G 1/8	27		24.0	14	8.0	27	A	65	RI1/2EDX1/8	400	400
G 1/2 A	G 1/4	27		24.0	14	12.0	27	A	56	RI1/2EDX1/4	400	400
G 1/2 A	G 3/8	27	12	37.0	14	17.0	27	B	95	RI1/2EDX3/8	400	400
G 1/2 A	G 3/4	27	12	46.0	14	22.0	36	B	183	RI1/2EDX3/4	315	315
G 1/2 A	G 1	27	12	49.0	14	24.5	41	B	232	RI1/2EDX1	315	315
G 1/2 A	G 1 1/4	27	10	53.0	14	26.5	55	B	481	RI1/2EDX11/4	315	315
G 3/4 A	G 1/4	32		26.0	16	12.0	32	A	103	RI3/4EDX1/4	315	315
G 3/4 A	G 3/8	32		26.0	16	12.0	32	A	86	RI3/4EDX3/8	315	315
G 3/4 A	G 1/2	32	16	43.0	16	20.0	32	B	156	RI3/4EDX1/2	315	315
G 3/4 A	G 1	32	16	51.0	16	24.5	41	B	237	RI3/4EDX1	315	315
G 3/4 A	G 1 1/4	32	16	55.0	16	26.5	55	B	486	RI3/4EDX11/4	315	315
G 3/4 A	G 1 1/2	32	16	57.0	16	28.5	60	B	561	RI3/4EDX11/2	250	250
G 1 A	G 1/4	40		29.0	18	12.0	41	A	197	RI1EDX1/4	315	315
G 1 A	G 3/8	40		29.0	18	12.0	41	A	179	RI1EDX3/8	315	315
G 1 A	G 1/2	40		29.0	18	14.0	41	A	153	RI1EDX1/2	315	315
G 1 A	G 3/4	40	20	49.0	18	22.0	41	B	290	RI1EDX3/4	315	315
G 1 A	G 1 1/4	40	20	57.0	18	26.5	55	B	503	RI1EDX11/4	315	315
G 1 A	G 1 1/2	40	20	59.0	18	28.5	60	B	585	RI1EDX11/2	250	250
G 1 1/4 A	G 1/2	50		32.0	20	14.0	50	A	313	RI11/4EDX1/2	315	315
G 1 1/4 A	G 3/4	50		32.0	20	16.0	50	A	393	RI11/4EDX3/4	315	315
G 1 1/4 A	G 1	50	25	5.0	20	24.5	50	B	469	RI11/4EDX1	315	315
G 1 1/4 A	G 1 1/2	50	25	60.0	20	28.5	60	B	624	RI11/4EDX11/2	250	250
G 1 1/2 A	G 1/2	55		36.0	22	14.0	55	A	470	RI11/2EDX1/2	250	250
G 1 1/2 A	G 3/4	55		36.0	22	16.0	55	A	415	RI11/2EDX3/4	250	250
G 1 1/2 A	G 1	55		36.0	22	18.0	55	A	338	RI11/2EDX1	250	250
G 1 1/2 A	G 1 1/4	55	32	58.0	22	26.5	55	B	542	RI11/2EDX11/4	250	250
G 2 A	G 1 1/2	75	40	65.0	24	28.5	75	B	1309	RI2EDX11/2	160	

<sup>1)</sup> Pressure shown = item deliverable

$$\frac{\text{PN (bar)}}{10} = \text{PN (MPa)}$$

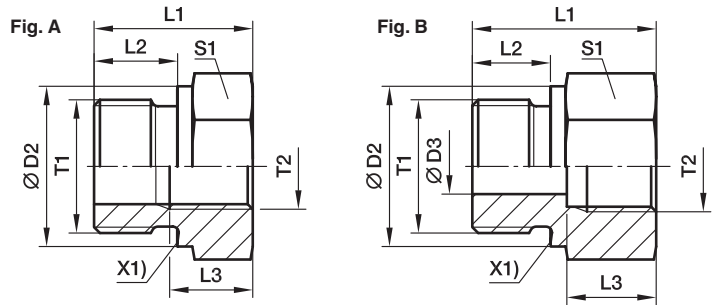
Information on ordering alternative sealing materials see page 17.

\*Please add the **suffixes** below according to the material/surface required.

Order code suffixes			
Material	Suffix surface and material	Example	Standard sealing material (no additional suffix needed)
Steel, zinc plated, Cr(VI)-free	CF	RI1EDX1/2CF	NBR
Stainless Steel	71	RI1EDX1/271	VIT

### RI Thread reducer/expander

Male BSPP thread – metal sealing edge (ISO 1179) / Female BSPP thread (ISO 1179-1)



X1) metal sealing edge

Male Stud T1	Female Stud T2	D2	D3	L1	L2	L3	S1	Fig.	Weight g/1 piece	Order code*	PN (bar) <sup>1)</sup>		
											CF	71	MS
G 1/8 A	G 1/4	14	4	31.0	8	17.0	19	B	42	RI1/8X1/4	400	400	250
G 1/8 A	G 3/8	14	4	32.0	8	17.0	24	B	63	RI1/8X3/8	400	400	250
G 1/4 A	G 1/8	18	5	28.0	12	12.0	19	B	38	RI1/4X1/8	400	400	250
G 1/4 A	G 3/8	18	5	36.0	12	17.0	24	B	69	RI1/4X3/8	400	400	250
G 1/4A	G 1/2	18	5	40.0	12	20.0	30	B	116	RI1/4X1/2	400	400	250
G 1/4 A	G 3/4	18	5	43.0	12	22.0	36	B	170	RI1/4X3/4	315	315	200
G 3/8 A	G 1/8	22		22.5	12	8.0	22	A	39	RI3/8X1/8	400	400	250
G 3/8 A	G 1/4	22	8	36.0	12	17.0	22	B	68	RI3/8X1/4	400	400	250
G 3/8 A	G 1/2	22	8	41.0	12	20.0	30	B	125	RI3/8X1/2	400	400	250
G 3/8 A	G 3/4	22	8	44.0	12	22.0	36	B	183	RI3/8X3/4	315	315	200
G 1/2 A	G 1/8	26		24.0	14	8.0	27	A	66	RI1/2X1/8	400	400	250
G 1/2 A	G 1/4	26		24.0	14	12.0	27	A	56	RI1/2X1/4	315	315	200
G 1/2 A	G 3/8	26	12	36.0	14	17.0	27	B	94	RI1/2X3/8	315	315	200
G 1/2 A	G 3/4	26	12	46.0	14	22.0	36	B	182	RI1/2X3/4	315	315	200
G 1/2 A	G 1	26	12	49.0	14	24.5	41	B	221	RI1/2X1	315	315	200
G 1/2 A	G 1 1/4	26	10	53.0	14	26.5	55	B	482	RI1/2X11/4	160	160	
G 3/4 A	G 1/4	32		26.0	16	12.0	32	A	103	RI3/4X1/4	315	315	200
G 3/4 A	G 3/8	32		26.0	16	12.0	32	A	87	RI3/4X3/8	315	315	200
G 3/4 A	G 1/2	32	16	41.0	16	20.0	32	B	143	RI3/4X1/2	315	315	200
G 3/4 A	G 1	32	16	51.0	16	24.5	41	B	235	RI3/4X1	315	315	200
G 3/4 A	G 1 1/4	32	16	55.0	16	26.5	55	B	481	RI3/4X11/4	160	160	
G 3/4 A	G 1 1/2	32	16	57.0	16	28.5	60	B	560	RI3/4X11/2	160	160	
G 1 A	G 1/4	39		29.0	18	12.0	41	A	195	RI1X1/4	315	315	
G 1 A	G 3/8	39		29.0	18	12.0	41	A	179	RI1X3/8	315	315	200
G 1 A	G 1/2	39		29.0	18	14.0	41	A	157	RI1X1/2	315	315	200
G 1 A	G 3/4	39	20	47.0	18	22.0	41	B	278	RI1X3/4	315	315	200
G 1 A	G 1 1/4	39	20	57.0	18	26.5	55	B	530	RI1X11/4	160	160	100
G 1 A	G 1 1/2	39	20	59.0	18	28.5	60	B	585	RI1X11/2	160	160	100
G 1 1/4 A	G 1/2	49		32.0	20	14.0	50	A	308	RI11/4X1/2	160	160	100
G 1 1/4 A	G 3/4	49		32.0	20	16.0	50	A	267	RI11/4X3/4	160	160	100
G 1 1/4 A	G 1	49	25	52.0	20	24.5	50	B	458	RI11/4X1	160	160	100
G 1 1/4 A	G 1 1/2	49	25	60.0	20	28.5	60	B	616	RI11/4X11/2	160	160	100
G 1 1/2 A	G 1/2	55		36.0	22	14.0	55	A	477	RI11/2X1/2	160	160	100
G 1 1/2 A	G 3/4	55		36.0	22	16.0	55	A	402	RI11/2X3/4	160	160	100
G 1 1/2 A	G 1	55		36.0	22	18.0	55	A	337	RI11/2X1	160	160	100
G 1 1/2 A	G 1 1/4	55	32	58.0	22	26.5	55	B	542	RI11/2X11/4	160	160	100
G 2 A	G 1 1/2	68	40	62.0	24	28.5	70	B	990	RI2X11/2	160		

<sup>1)</sup> Pressure shown = item deliverable

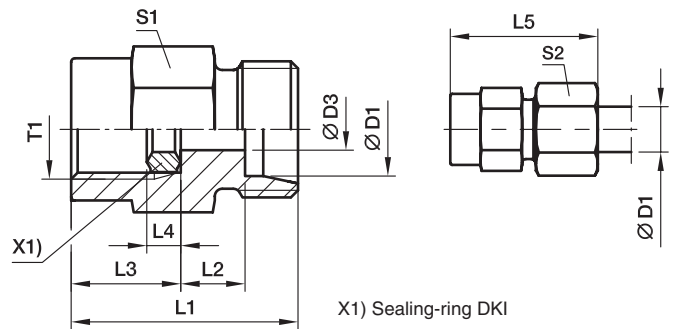
$$\frac{\text{PN (bar)}}{10} = \text{PN (MPa)}$$

\*Please add the **suffixes** below according to the material/surface required.

Order code suffixes		
Material	Suffix surface and material	Example
Steel, zinc plated, Cr(VI)-free	CF	RI1X1/2CFX
Stainless Steel	71	RI1X1/271X
Brass	MS	RI1X1/2MSX

## MAV Pressure gauge connector

Female BSPP thread / EO 24° cone end



Series	D1	T1	D3	L1	L2	L3	L4	L5	S1	S2	Weight g/1 piece	Order code*	PN (bar) <sup>1)</sup>		
													CF	71	MS
LL <sup>2)</sup>	04	G1/4	2.5	27	8.5	14.5	4.5	33	19	10	33	<b>MAV04LLROMD</b>	100		
L <sup>3)</sup>	06	G1/4	2.5	29	7.5	14.5	4.5	37	19	14	37	<b>MAV06LROMD</b>	315	315	200
	08	G1/4	5.5	29	7.5	14.5	4.5	37	19	17	38	<b>MAV08LROMD</b>	315	315	200
	10	G1/4	5.5	30	8.5	14.5	4.5	38	19	19	41	<b>MAV10LROMD</b>	315	315	200
	12	G1/4	5.5	30	8.5	14.5	4.5	38	19	22	43	<b>MAV12LROMD</b>	315	315	200
S <sup>4)</sup>	06	G1/2	3.5	38	11.0	20.0	5.0	46	27	17	86	<b>MAV06SROMD</b>	630	630	400
	08	G1/2	3.5	38	11.0	20.0	5.0	46	27	19	86	<b>MAV08SROMD</b>	630	630	400
	10	G1/2	7.5	38	10.5	20.0	5.0	47	27	22	88	<b>MAV10SROMD</b>	630	630	400
	12	G1/2	7.5	38	10.5	20.0	5.0	47	27	24	93	<b>MAV12SROMD</b>	630	630	400

<sup>1)</sup> Pressure shown = item deliverable

<sup>2)</sup> LL = very light series; <sup>3)</sup> L = light series; <sup>4)</sup> S = heavy series

$$\frac{\text{PN (bar)}}{10} = \text{PN (MPa)}$$

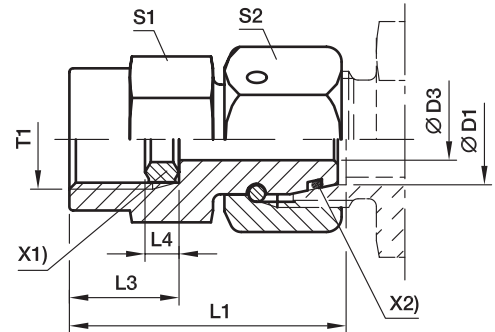
Delivery without nut and ring. Information on ordering complete fittings see page 17.

\*Please add the **suffixes** below according to the material/surface required.

Order code suffixes		
Material	Suffix surface and material	Example
Steel, zinc plated, Cr(VI)-free	CF	MAV10SROMDCF
Stainless Steel	71	MAV10SROMD71
Brass	MS	MAV10SROMDMS

## MAVE Pressure gauge swivel connector

Female BSPP thread / EO 24° DKO swivel



X1) Sealing-ring DK1  
X2) O-ring OR

Series	D1 	T1	D3	L1	L3	L4	S1	S2	Weight g/1 piece	Order code*	PN (bar) <sup>1)</sup>	
											CF	71
L <sup>3)</sup>	06	G1/4	2.5	35.5	14.5	4.5	19	14	46	<b>MAVE06LR</b>	315	315
	08	G1/4	4.0	35.5	14.5	4.5	19	17	52	<b>MAVE08LR</b>	315	315
	10	G1/4	5.5	36.0	14.5	4.5	19	19	59	<b>MAVE10LR</b>	315	315
	12	G1/4	5.5	36.0	14.5	4.5	19	22	70	<b>MAVE12LR</b>	315	315
S <sup>4)</sup>	06	G1/2	2.5	42.5	20.0	5.0	27	17	95	<b>MAVE06SR</b>	630	630
	06	G1/4	2.5	35.5	14.5	4.5	19	17	52	<b>MAVE06SR1/4</b>	630	630
	08	G1/2	4.0	43.0	20.0	5.0	27	19	100	<b>MAVE08SR</b>	630	630
	08	G1/4	4.0	35.5	14.5	4.5	19	19	58	<b>MAVE08SR1/4</b>	630	630
	10	G1/2	6.0	43.5	20.0	5.0	27	22	109	<b>MAVE10SR</b>	630	630
	10	G1/4	7.0	39.0	14.5	4.5	19	22	67	<b>MAVE10SR1/4</b>	630	630
	12	G1/2	7.0	45.0	20.0	5.0	27	24	125	<b>MAVE12SR</b>	630	630
	12	G1/4	7.0	39.0	14.5	4.5	19	24	83	<b>MAVE12SR1/4</b>	630	630

<sup>1)</sup> Pressure shown = item deliverable

<sup>3)</sup> L = light series; <sup>4)</sup> S = heavy series

$$\frac{PN \text{ (bar)}}{10} = PN \text{ (MPa)}$$

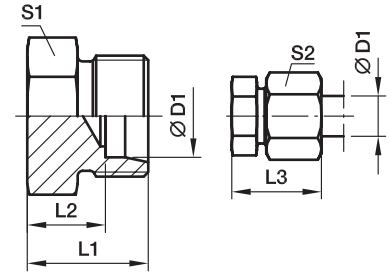
Information on ordering alternative sealing materials see page 17.

\*Please add the **suffixes** below according to the material/surface required.

Order code suffixes			
Material	Suffix surface and material	Example	Standard sealing material (no additional suffix needed)
Steel, zinc plated, Cr(VI)-free	CF	MAVE10SRCF	NBR
Stainless Steel	71	MAVE10SR71	VIT

## ROV Blanking plug for tube ends

EO 24° cone end



Series	D1 	L1	L2	L3	S1	S2	Weight g/1 piece	Order code*	PN (bar) <sup>1)</sup>	
									CF	71
L <sup>3)</sup>	06	14	7.0	22	12	14	8	<b>ROV06L</b>	315	315
	08	15	8.0	23	14	17	13	<b>ROV08L</b>	315	315
	10	16	9.0	24	17	19	17	<b>ROV10L</b>	315	315
	12	17	10.0	25	19	22	24	<b>ROV12L</b>	315	315
	15	18	11.0	26	24	27	41	<b>ROV15L</b>	315	315
	18	19	11.5	28	27	32	56	<b>ROV18L</b>	315	315
	22	21	13.5	30	32	36	84	<b>ROV22L</b>	160	160
	28	22	14.5	31	41	41	138	<b>ROV28L</b>	160	160
	35	25	14.5	36	46	50	203	<b>ROV35L</b>	160	160
	42	27	16.0	39	55	60	318	<b>ROV42L</b>	160	160
S <sup>4)</sup>	06	18	11.0	26	14	17	17	<b>ROV06S</b>	630	630
	08	20	13.0	28	17	19	28	<b>ROV08S</b>	630	630
	10	20	12.5	29	19	22	33	<b>ROV10S</b>	630	630
	12	22	14.5	31	22	24	50	<b>ROV12S</b>	630	630
	14	24	16.0	34	24	27	62	<b>ROV14S</b>	630	630
	16	24	15.5	34	27	30	75	<b>ROV16S</b>	400	400
	20	28	17.5	39	32	36	125	<b>ROV20S</b>	400	400
	25	32	20.0	44	41	46	229	<b>ROV25S</b>	400	400
	30	34	20.5	47	46	50	310	<b>ROV30S</b>	400	400
	38	39	23.0	54	55	60	508	<b>ROV38S</b>	315	315

<sup>1)</sup> Pressure shown = item deliverable

<sup>3)</sup> L = light series; <sup>4)</sup> S = heavy series

$$\frac{\text{PN (bar)}}{10} = \text{PN (MPa)}$$

Delivery without nut and ring. Information on ordering complete fittings see page I7.

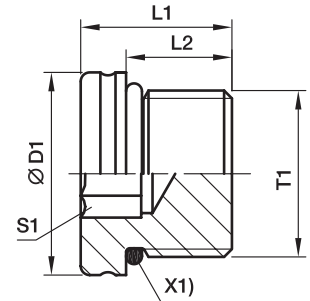
\*Please add the **suffixes** below according to the material/surface required.

Order code suffixes		
Material	Suffix surface and material	Example
Steel, zinc plated, Cr(VI)-free	CF	ROV16SCFX
Stainless Steel	71	ROV16S71X



## VSTI M-OR Blanking plug for ports

Male metric thread – O-ring (ISO 6149)



X1) O-ring OR

T1	D1	L1	L2	S1	Weight g/1 piece	Order code*	PN (bar) <sup>1)</sup>
							CF
M8×1	12	13.0	9.5	4	6	<b>VSTI8X1OR</b>	630
M10×1	13	13.5	9.5	5	8	<b>VSTI10X1OR</b>	630
M12×1.5	17	15.0	11.0	6	14	<b>VSTI12X1.5OR</b>	630
M14×1.5	19	16.0	11.0	6	20	<b>VSTI14X1.5OR</b>	630
M16×1.5	21	17.5	12.5	8	26	<b>VSTI16X1.5OR</b>	630
M18×1.5	23	19.0	14.0	8	37	<b>VSTI18X1.5OR</b>	630
M22×1.5	27	20.0	15.0	10	58	<b>VSTI22X1.5OR</b>	630
M26×1.5	31	21.0	16.0	12	77	<b>VSTI26X1.5OR</b>	400
M27×2	32	23.5	18.5	12	95	<b>VSTI27X2OR</b>	400
M33×2	38	25.0	18.5	14	148	<b>VSTI33X2OR</b>	400
M42×2	48	25.5	19.0	22	233	<b>VSTI42X2OR</b>	400
M48×2	55	28.0	21.5	24	336	<b>VSTI48X2OR</b>	400

<sup>1)</sup> Pressure shown = item deliverable

$$\frac{\text{PN (bar)}}{10} = \text{PN (MPa)}$$

Information on ordering alternative sealing materials see page 17.

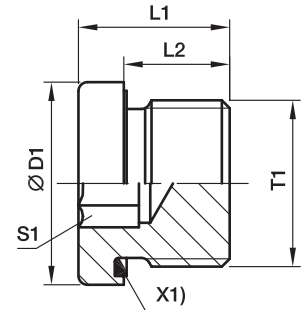
\*Please add the **suffixes** below according to the material/surface required.

Order code suffixes			
Material	Suffix surface and material	Example	Standard sealing material (no additional suffix needed)
Steel, zinc plated, Cr(VI)-free	CF	VSTI18X1.5ORCF	NBR

## VSTI M/R-ED Blanking plug for ports

Male metric thread – ED-seal (ISO 9974)

Male BSPP thread – ED-seal (ISO 1179)



X1) Eolastic-sealing ED

Male metric parallel thread T1	Male stud BSP thread T1	D1	L1	L2	S1	Weight g/1 piece	Order code*	Order code*	PN (bar) <sup>1)</sup>	
									CF	71
M 10×1	G 1/8 A	14.0	12.3	8	5	8	VSTI10X1ED	VSTI1/8ED	400	400
M 12×1.5		17.0	17.3	12	6	14	VSTI12X1.5ED		400	400
M 14×1.5	G 1/4 A	19.0	17.3	12	6	20	VSTI14X1.5ED	VSTI1/4ED	400	400
M 16×1.5	G 3/8 A	22.0	17.3	12	8	25	VSTI16X1.5ED	VSTI3/8ED	400	400
M 18×1.5		24.0	17.3	12	8	32	VSTI18X1.5ED		400	400
M 20×1.5		26.0	19.3	14	10	42	VSTI20X1.5ED		400	400
M 22×1.5	G 1/2 A	27.0	19.3	14	10	51	VSTI22X1.5ED	VSTI1/2ED	400	400
M 26×1.5		32.0	21.3	16	12	78	VSTI26X1.5ED		400	400
M 27×2	G 3/4 A	32.0	21.3	16	12	79	VSTI27X2ED	VSTI3/4ED	400	400
M 33×2	G 1 A	40.0	22.8	16	17	130	VSTI33X2ED	VSTI1ED	400	400
M 42×2	G 1 1/4 A	50.0	22.8	16	22	198	VSTI42X2ED	VSTI11/4ED	315	315
M 48×2	G 1 1/2 A	55.0	22.8	16	24	263	VSTI48X2ED	VSTI11/2ED	315	315

<sup>1)</sup> Pressure shown = item deliverable

$$\frac{PN \text{ (bar)}}{10} = PN \text{ (MPa)}$$

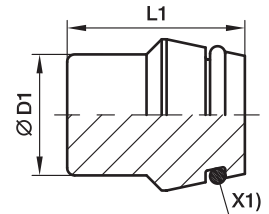
Information on ordering alternative sealing materials see page 17.

\*Please add the **suffixes** below according to the material/surface required.

Order code suffixes			
Material	Suffix surface and material	Example	Standard sealing material (no additional suffix needed)
Steel, zinc plated, Cr(VI)-free	CF	VSTI1/2EDCF	NBR
Stainless Steel	71	VSTI1/2ED71	VIT

## VKA Blanking plug for cones

EO 24° DKO swivel



X1) O-ring OR

Series	D1 	L1	Weight g/1 piece	Order code*	PN (bar) <sup>1)</sup>		
					CF	71	MS
L <sup>3)</sup>	06	18.5	6	<b>VKA06</b>	500	315	200
	08	18.5	9	<b>VKA08</b>	500	315	200
	10	20.0	15	<b>VKA10</b>	500	315	200
	12	20.5	21	<b>VKA12</b>	400	315	200
	15	20.5	32	<b>VKA15</b>	400	315	200
	18	22.5	49	<b>VKA18</b>	400	315	200
	22	25.0	80	<b>VKA22</b>	250	160	100
	28	25.5	131	<b>VKA28</b>	250	160	100
	35	30.0	240	<b>VKA35</b>	250	160	100
	42	30.0	343	<b>VKA42</b>	250	160	100
S <sup>4)</sup>	06	18.5	6	<b>VKA06</b>	800	630	400
	08	18.5	9	<b>VKA08</b>	800	630	400
	10	20.0	15	<b>VKA10</b>	800	630	400
	12	20.5	21	<b>VKA12</b>	630	630	400
	14	22.5	30	<b>VKA14</b>	630	630	400
	16	23.5	40	<b>VKA16</b>	630	400	250
	20	28.5	78	<b>VKA20</b>	420	400	250
	25	29.0	120	<b>VKA25</b>	420	400	250
	30	30.5	180	<b>VKA30</b>	420	400	250
	38	33.0	309	<b>VKA38</b>	420	315	200

1) Pressure shown = item deliverable

3) L = light series; 4) S = heavy series

$$\frac{\text{PN (bar)}}{10} = \text{PN (MPa)}$$

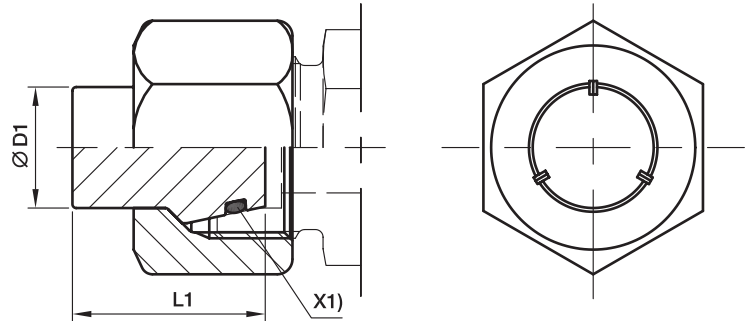
Information on ordering alternative sealing materials see page 17.

 \*Please add the **suffixes** below according to the material/surface required.

Order code suffixes			
Material	Suffix surface and material	Example	Standard sealing material (no additional suffix needed)
Steel, zinc plated, Cr(VI)-free	CF	VKA16CF	NBR
Stainless Steel	71	VKA1671	VIT
Brass	MS	VKA16MS	NBR

## VKAM Blanking plug with nut for cone

EO 24° DKO swivel



X1) O-ring OR

Series	D1 	L1	Weight g/1 piece	Order code*	PN (bar) <sup>1)</sup>	
					CF	71
L <sup>3)</sup>	06	18.5	15	VKAM06L	500	315
	08	18.5	24	VKAM08L	500	315
	10	20.0	33	VKAM10L	500	315
	12	20.5	46	VKAM12L	400	315
	15	20.5	73	VKAM15L	400	315
	18	22.5	111	VKAM18L	400	315
	22	25.0	162	VKAM22L	250	160
	28	25.5	220	VKAM28L	250	160
	35	30.0	376	VKAM35L	250	160
	42	30.0	558	VKAM42L	250	160
S <sup>4)</sup>	06	18.5	23	VKAM06S	800	630
	08	18.5	29	VKAM08S	800	630
	10	20.0	46	VKAM10S	800	630
	12	20.5	55	VKAM12S	630	630
	14	22.5	83	VKAM14S	630	630
	16	23.5	106	VKAM16S	630	400
	20	28.5	180	VKAM20S	420	400
	25	29.0	322	VKAM25S	420	400
	30	30.5	398	VKAM30S	420	400
	38	33.0	647	VKAM38S	420	315

<sup>1)</sup> Pressure shown = item deliverable

<sup>3)</sup> L = light series; <sup>4)</sup> S = heavy series

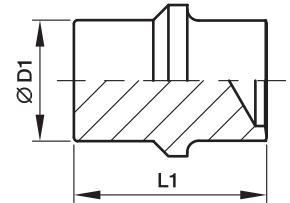
$$\frac{\text{PN (bar)}}{10} = \text{PN (MPa)}$$

Information on ordering alternative sealing materials see page 17.

\*Please add the **suffixes** below according to the material/surface required.

Order code suffixes			
Material	Suffix surface and material	Example	Standard sealing material (no additional suffix needed)
Steel, zinc plated, Cr(VI)-free	CF	VKAM16SCF	NBR
Stainless Steel	71	VKAM16S71	VIT

## BUZ Blanking plug for cones



Series	D1 	L1	Weight g/1 piece	Order code*	PN (bar) <sup>1)</sup>		
					CF	71	MS
L <sup>3)</sup>	06	19.5	5	<b>BUZ06L</b>	315	315	200
	08	19.5	8	<b>BUZ08L</b>	315	315	200
	10	21.0	13	<b>BUZ10L</b>	315	315	200
	12	21.8	20	<b>BUZ12L</b>	315	315	200
	15	22.0	30	<b>BUZ15L</b>	315	315	200
	18	24.0	45	<b>BUZ18L</b>	315	315	200
	22	26.0	74	<b>BUZ22L</b>	160	160	100
	28	26.5	117	<b>BUZ28L</b>	160	160	100
	35	32.0	217	<b>BUZ35L</b>	160	160	100
	42	32.5	308	<b>BUZ42L</b>	160	160	100
S <sup>4)</sup>	06	19.5	5	<b>BUZ06L</b>	630	630	400
	08	19.5	8	<b>BUZ08L</b>	630	630	400
	10	21.0	13	<b>BUZ10L</b>	630	630	400
	12	21.8	20	<b>BUZ12L</b>	630	630	400
	14	23.5	28	<b>BUZ14S</b>	630	630	400
	16	25.5	39	<b>BUZ16S</b>	400	400	250
	20	30.5	73	<b>BUZ20S</b>	400	400	250
	25	32.5	119	<b>BUZ25S</b>	400	400	250
	30	35.5	181	<b>BUZ30S</b>	400	400	250
	38	40.0	325	<b>BUZ38S</b>	315	315	200

<sup>1)</sup> Pressure shown = item deliverable

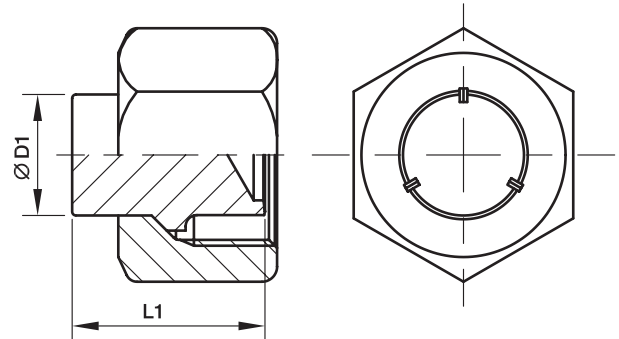
<sup>3)</sup> L = light series; <sup>4)</sup> S = heavy series

$$\frac{\text{PN (bar)}}{10} = \text{PN (MPa)}$$

\*Please add the **suffixes** below according to the material/surface required.

Order code suffixes		
Material	Suffix surface and material	Example
Steel, zinc plated, Cr(VI)-free	CF	BUZ16SCFX
Stainless Steel	71	BUZ16S71X
Brass	MS	BUZ16SMSX

## BUZM Blanking plug with nut for cones



Series	D1 	L1	Weight g/1 piece	Order code*	PN (bar) <sup>1)</sup>	
					CF	71
L <sup>3)</sup>	06	19.5	15	<b>BUZM06L</b>	315	315
	08	19.5	23	<b>BUZM08L</b>	315	315
	10	21.0	31	<b>BUZM10L</b>	315	315
	12	21.8	45	<b>BUZM12L</b>	315	315
	15	22.0	71	<b>BUZM15L</b>	315	315
	18	24.0	107	<b>BUZM18L</b>	315	315
	22	26.0	156	<b>BUZM22L</b>	160	160
	28	26.5	206	<b>BUZM28L</b>	160	160
	35	32.0	354	<b>BUZM35L</b>	160	160
	42	32.5	524	<b>BUZM42L</b>	160	160
S <sup>4)</sup>	06	19.5	23	<b>BUZM06S</b>	630	630
	08	19.5	28	<b>BUZM08S</b>	630	630
	10	21.0	44	<b>BUZM10S</b>	630	630
	12	21.8	54	<b>BUZM12S</b>	630	630
	14	23.5	81	<b>BUZM14S</b>	630	630
	16	25.5	105	<b>BUZM16S</b>	400	400
	20	30.5	176	<b>BUZM20S</b>	400	400
	25	32.5	321	<b>BUZM25S</b>	400	400
	30	35.5	399	<b>BUZM30S</b>	400	400
	38	40.0	664	<b>BUZM38S</b>	315	315

<sup>1)</sup> Pressure shown = item deliverable

<sup>3)</sup> L = light series; <sup>4)</sup> S = heavy series

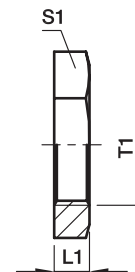
$$\frac{\text{PN (bar)}}{10} = \text{PN (MPa)}$$

\*Please add the **suffixes** below according to the material/surface required.

Order code suffixes		
Material	Suffix surface and material	Example
Steel, zinc plated, Cr(VI)-free	CF	BUZM16SCF
Stainless Steel	71	BUZM16S71

## GM Locknut for bulk heads

For bulkhead SV and WSV

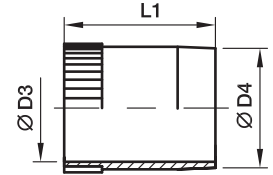


Series	Tube O.D.	T1	L1	S1	Weight g/1 piece	Steel CF	Order code	
							Stainless Steel 71	Brass MS
L <sup>3)</sup>	06	M 12×1.5	6	17	7	GM06LCFX	GM06L71X	GM06LMSX
	08	M 14×1.5	6	19	8	GM08LCFX	GM08L71X	GM08LMSX
	10	M 16×1.5	6	22	11	GM10LCFX	GM10L71X	GM10LMSX
	12	M 18×1.5	6	24	12	GM12LCFX	GM12L71X	GM12LMSX
	15	M 22×1.5	7	30	23	GM15LCFX	GM15L71X	GM15LMSX
	18	M 26×1.5	8	36	37	GM18LCFX	GM18L71X	GM18LMSX
	22	M 30×2	8	41	46	GM22LCFX	GM22L71X	GM22LMSX
	28	M 36×2	9	46	58	GM28LCFX	GM28L71X	GM28LMSX
	35	M 45×2	9	55	71	GM35LCFX	GM35L71X	GM35LMSX
	42	M 52×2	10	65	123	GM42LCFX	GM42L71X	GM42LMSX
S <sup>4)</sup>	06	M 14×1.5	6	19	8	GM08LCFX	GM08L71X	GM06LMSX
	08	M 16×1.5	6	22	11	GM10LCFX	GM10L71X	GM10LMSX
	10	M 18×1.5	6	24	12	GM12LCFX	GM12L71X	GM12LMSX
	12	M 20×1.5	6	27	15	GM12SCFX	GM12S71X	GM12SMSX
	14	M 22×1.5	7	30	23	GM15LCFX	GM15L71X	GM15LMSX
	16	M 24×1.5	7	32	24	GM16SCFX	GM16S71X	GM16SMSX
	20	M 30×2	8	41	46	GM22LCFX	GM22L71X	GM22LMSX
	25	M 36×2	9	46	58	GM28LCFX	GM28L71X	GM28LMSX
	30	M 42×2	9	50	58	GM30SCFX	GM30S71X	GM30SMSX
	38	M 52×2	10	65	123	GM42LCFX	GM42L71X	GM42LMSX

<sup>3)</sup> L = light series; <sup>4)</sup> S = heavy series

## VH Support sleeve

for thin-walled metal tubing

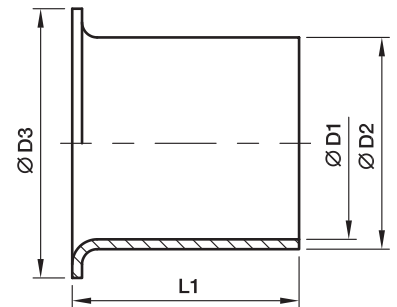


Tube I.D.	D3	D4	L1	Weight g/1 piece	Order code		
					Steel CF	Stainless Steel 71	Brass MS
4.0	2.6	3.8	14.0	0.7	VH04CFX	VH0471X	VH04MSX
4.5	3.1	4.3	14.0	0.8	VH04.5CFX	VH04.571X	VH04.5MSX
5.0	3.6	4.8	14.0	0.8	VH05CFX	VH0571X	VH05MSX
6.0	4.6	5.8	14.0	1.0	VH06CFX	VH0671X	VH06MSX
6.5	5.1	6.3	14.0	1.0	VH06.5CFX	VH06.571X	VH06.5MSX
7.0	5.6	6.8	15.5	1.3	VH07CFX	VH0771X	VH07MSX
8.0	6.6	7.8	15.5	1.6	VH08CFX	VH0871X	VH08MSX
9.0	7.6	8.8	15.5	1.8	VH09CFX	VH0971X	VH09MSX
10.0	8.6	9.8	15.5	2.1	VH10CFX	VH1071X	VH10MSX
10.5	9.1	10.3	15.5	2.3	VH10.5CFX	VH10.571X	VH10.5MSX
11.0	9.6	10.8	15.5	2.6	VH11CFX	VH1171X	VH11MSX
12.0	10.2	11.8	17.0	3.7	VH12CFX	VH1271X	VH12MSX
13.0	11.2	12.8	17.0	3.9	VH13CFX	VH1371X	VH13MSX
14.0	12.2	13.8	17.0	4.3	VH14CFX	VH1471X	VH14MSX
15.0	13.2	14.8	20.0	5.7	VH15CFX	VH1571X	VH15MSX
16.0	14.2	15.8	20.0	5.8	VH16CFX	VH1671X	VH16MSX
17.0	15.2	16.8	20.0	6.3	VH17CFX	VH1771X	VH17MSX
18.0	16.2	17.8	20.0	6.3	VH18CFX	VH1871X	VH18MSX
19.0	17.2	18.8	16.0	5.8	VH19CFX	VH1971X	VH19MSX
20.0	18.2	19.8	21.5	7.9	VH20CFX	VH2071X	VH20MSX
21.0	19.2	20.8	21.5	8.0	VH21CFX	VH2171X	VH21MSX
22.0	20.2	21.8	23.5	9.7	VH22CFX	VH2271X	VH22MSX
23.0	21.2	22.8	23.5	10.6	VH23CFX	VH2371X	VH23MSX
24.0	22.2	23.8	23.5	11.1	VH24CFX	VH2471CX	VH24MSX
25.0	23.2	24.8	23.5	10.8	VH25CFX	VH2571X	VH25MSX
26.0	24.2	25.8	23.5	12.7	VH26CFX	VH2671X	VH26MSX
27.0	25.2	26.8	23.5	12.2	VH27CFX	VH2771X	VH27MSX
30.0	27.8	29.8	26.5	18.7	VH30CFX	VH3071X	VH30MSX
31.0	28.8	30.8	26.5	20.7	VH31CFX	VH3171X	VH31MSX
32.0	29.8	31.8	26.5	19.2	VH32CFX	VH3271X	VH32MSX
33.0	30.8	32.8	26.5	19.9	VH33CFX	VH3371X	VH33MSX
34.0	31.8	33.8	26.5	26.5	VH34CFX	VH3471X	VH34MSX
38.0	35.8	37.8	21.0	19.7	VH38CFX	VH3871X	VH38MSX
39.0	36.8	38.8	21.0	19.5	VH39CFX	VH3971X	VH39MSX



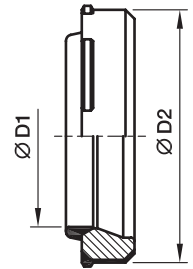
## E Tube/hose insert

for plastic tubing



Tube O.D.	Tube I.D.	D1	D2	D3	L1	Weight g/1 piece	Order code Brass
04	2.0	1.3	2.0	3.5	8	1	<b>E04/02X</b>
04	2.5	1.7	2.5	4.0	8	1	<b>E04/2.5X</b>
05	3.0	2.2	3.0	5.0	14	1	<b>E0506/03X</b>
06	3.0	2.2	3.0	5.0	14	1	<b>E0506/03X</b>
05	4.0	3.2	4.0	5.0	14	1	<b>E0506/04X</b>
06	4.0	3.2	4.0	5.0	14	1	<b>E0506/04X</b>
08	4.0	3.2	4.0	6.6	14	1	<b>E08/04X</b>
06	5.0	4.0	5.0	6.0	14	1	<b>E06/05X</b>
08	5.0	4.0	5.0	6.0	14	1	<b>E08/05X</b>
10	6.0	5.0	6.0	8.0	15	1	<b>E0810/06X</b>
08	6.0	5.0	6.0	8.0	15	1	<b>E0810/06X</b>
10	8.0	6.7	8.0	10.0	15	1	<b>E10/08X</b>
12	8.0	6.7	8.0	12.0	15	2	<b>E12/08X</b>
12	9.0	7.7	9.0	12.0	15	2	<b>E12/09X</b>
12	10.0	8.7	10.0	12.0	15	2	<b>E1215/10X</b>
15	12.0	10.7	12.0	14.8	15	3	<b>E15/12X</b>
15	12.5	11.2	12.5	14.8	15	3	<b>E1516/12.5X</b>
16	12.5	11.2	12.5	14.8	15	3	<b>E1516/12.5X</b>
18	14.0	12.7	14.0	17.8	15	4	<b>E18/14X</b>
18	16.0	14.7	16.0	17.8	20	4	<b>E1820/16X</b>
20	16.0	14.7	16.0	17.8	20	4	<b>E1820/16X</b>
22	18.0	16.7	18.0	21.8	16	5	<b>E22/18X</b>

## DOZ EO-2 Soft sealing ring

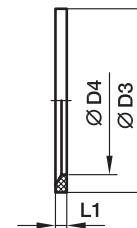


**Assembly direction:**  
Sealing lip shows to the tube end

Series	D1 	D2	Weight g/1 piece	Order code			
				Steel NBR	Steel FKM	Stainless Steel FKM	Stainless Steel NBR
LL <sup>2)</sup>	04	6.8	1	<b>DOZ04LL</b>	—	—	—
	06	8.8	1	<b>DOZ06LL</b>	—	—	—
L <sup>3)</sup>	06	10.3	1	<b>DOZ06L</b>	<b>DOZ06LVIT</b>	<b>DOZ06L71</b>	<b>DOZ06LNBR71</b>
	08	12.3	1	<b>DOZ08L</b>	<b>DOZ08LVIT</b>	<b>DOZ08L71</b>	<b>DOZ08LNBR71</b>
	10	14.3	2	<b>DOZ10L</b>	<b>DOZ10LVIT</b>	<b>DOZ10L71</b>	<b>DOZ10LNBR71</b>
	12	16.3	2	<b>DOZ12L</b>	<b>DOZ12LVIT</b>	<b>DOZ12L71</b>	<b>DOZ12LNBR71</b>
	15	20.3	3	<b>DOZ15L</b>	<b>DOZ15LVIT</b>	<b>DOZ15L71</b>	<b>DOZ15LNBR71</b>
	18	24.3	5	<b>DOZ18L</b>	<b>DOZ18LVIT</b>	<b>DOZ18L71</b>	<b>DOZ18LNBR71</b>
	22	27.7	6	<b>DOZ22L</b>	<b>DOZ22LVIT</b>	<b>DOZ22L71</b>	<b>DOZ22LNBR71</b>
	28	33.7	7	<b>DOZ28L</b>	<b>DOZ28LVIT</b>	<b>DOZ28L71</b>	<b>DOZ28LNBR71</b>
	35	42.7	14	<b>DOZ35L</b>	<b>DOZ35LVIT</b>	<b>DOZ35L71</b>	<b>DOZ35LNBR71</b>
	42	49.7	17	<b>DOZ42L</b>	<b>DOZ42LVIT</b>	<b>DOZ42L71</b>	<b>DOZ42LNBR71</b>
S <sup>4)</sup>	06	12.3	2	<b>DOZ06S</b>	<b>DOZ06SVIT</b>	<b>DOZ06S71</b>	<b>DOZ06SNBR71</b>
	08	14.3	2	<b>DOZ08S</b>	<b>DOZ08SVIT</b>	<b>DOZ08S71</b>	<b>DOZ08SNBR71</b>
	10	16.3	3	<b>DOZ10S</b>	<b>DOZ10SVIT</b>	<b>DOZ10S71</b>	<b>DOZ10SNBR71</b>
	12	18.3	4	<b>DOZ12S</b>	<b>DOZ12SVIT</b>	<b>DOZ12S71</b>	<b>DOZ12SNBR71</b>
	14	20.3	4	<b>DOZ14S</b>	<b>DOZ14SVIT</b>	<b>DOZ14S71</b>	<b>DOZ14SNBR71</b>
	16	22.3	5	<b>DOZ16S</b>	<b>DOZ16SVIT</b>	<b>DOZ16S71</b>	<b>DOZ16SNBR71</b>
	20	27.7	9	<b>DOZ20S</b>	<b>DOZ20SVIT</b>	<b>DOZ20S71</b>	<b>DOZ20SNBR71</b>
	25	33.7	13	<b>DOZ25S</b>	<b>DOZ25SVIT</b>	<b>DOZ25S71</b>	<b>DOZ25SNBR71</b>
	30	39.7	18	<b>DOZ30S</b>	<b>DOZ30SVIT</b>	<b>DOZ30S71</b>	<b>DOZ30SNBR71</b>
	38	49.7	27	<b>DOZ38S</b>	<b>DOZ38SVIT</b>	<b>DOZ38S71</b>	<b>DOZ38SNBR71</b>

<sup>2)</sup> LL = very light series; <sup>3)</sup> L = light series; <sup>4)</sup> S = heavy series

**ED Eolastic soft seal (for BSPP and metric parallel threads)**

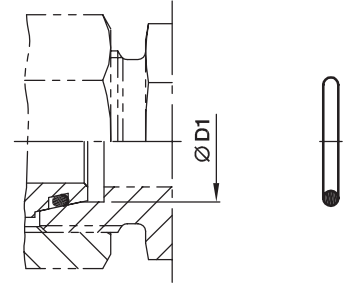
 For Type: GE...ED, EGE...ED, EVGE...ED, EW...ED, EV...ED, ET...ED, EL...ED,  
 VSTI...ED, RI...ED



Male stud metric thread T1	Male stud BSP thread T1	D3	D4	L1	Weight g/1 piece	Order code NBR	Order code FKM
M 8×1		9.9	6.5	1.0	0.1	<b>ED8X1X</b>	<b>ED8X1VITX</b>
M 10×1	G 1/8 A	11.9	8.4	1.0	0.1	<b>ED10X1X</b>	<b>ED10X1VITX</b>
M 12×1.5		14.4	9.8	1.5	0.2	<b>ED12X1.5X</b>	<b>ED12X1.5VITX</b>
M 14×1.5	G 1/4 A	16.5	11.6	1.5	0.2	<b>ED14X1.5X</b>	<b>ED14X1.5VITX</b>
M 16×1.5		18.9	13.8	1.5	0.1	<b>ED16X1.5X</b>	<b>ED16X1.5VITX</b>
	G 3/8 A	18.9	14.7	1.5	0.2	<b>ED3/8X</b>	<b>ED3/8VITX</b>
M 18×1.5		20.9	15.7	1.5	0.1	<b>ED18X1.5X</b>	<b>ED18X1.5VITX</b>
M 20×1.5		22.9	17.8	1.5	0.2	<b>ED20X1.5X</b>	<b>ED20X1.5VITX</b>
	G 1/2 A	23.9	18.5	1.5	0.3	<b>ED1/2X</b>	<b>ED1/2VITX</b>
M 22×1.5		24.3	19.6	1.5	0.2	<b>ED22X1.5X</b>	<b>ED22X1.5VITX</b>
M 26×1.5	G 3/4 A	29.2	23.9	1.5	0.4	<b>ED26X1.5X</b>	<b>ED26X1.5VITX</b>
M 27×2	G 3/4 A	29.2	23.9	1.5	0.4	<b>ED26X1.5X</b>	<b>ED26X1.5VITX</b>
M 33×2	G 1 A	35.7	29.7	2.0	0.7	<b>ED33X2X</b>	<b>ED33X2VITX</b>
M 42×2	G 1 1/4 A	45.8	38.8	2.0	0.9	<b>ED42X2X</b>	<b>ED42X2VITX</b>
M 48×2	G 1 1/2 A	50.7	44.7	2.0	1.0	<b>ED48X2X</b>	<b>ED48X2VITX</b>

## OR O-Ring for fittings with EO 24° DKO swivel

For Type:

DA, EGE, EGEO, MAVE, EW, EV, ET, EL, RED, GZ, GZR, VKA, VKAM



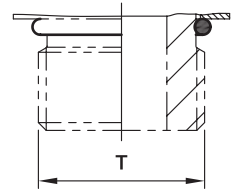
Series	D1 	O-ring NBR Shore-hardness approx. 90	O-ring FKM Shore-hardness approx. 90
L <sup>3)</sup>	6	<b>OR4.5X1.5X</b>	<b>OR4.5X1.5VITX</b>
	8	<b>OR6.5X1.5X</b>	<b>OR6.5X1.5VITX</b>
	10	<b>OR8.5X1.5X</b>	<b>OR8X1.5VITX</b>
	12	<b>OR10.5X1.5X</b>	<b>OR10X1.5VITX</b>
	15	<b>OR12.5X2X</b>	<b>OR12X2VITX</b>
	18	<b>OR16X2X</b>	<b>OR15X2VITX</b>
	22	<b>OR20X2X</b>	<b>OR20X2VITX</b>
	28	<b>OR26X2X</b>	<b>OR26X2VITX</b>
	35	<b>OR32X2.5X</b>	<b>OR32X2.5VITX</b>
	42	<b>OR39X2.5X</b>	<b>OR38X2.5VITX</b>
S <sup>4)</sup>	6	<b>OR4.5X1.5X</b>	<b>OR4.5X1.5VITX</b>
	8	<b>OR6.5X1.5X</b>	<b>OR6.5X1.5VITX</b>
	10	<b>OR8.5X1.5X</b>	<b>OR8X1.5VITX</b>
	12	<b>OR10.5X1.5X</b>	<b>OR10X1.5VITX</b>
	14	<b>OR12X2X</b>	<b>OR11X2VITX</b>
	16	<b>OR14X2X</b>	<b>OR13X2VITX</b>
	20	<b>OR17X2.5X</b>	<b>OR16.3X2.4VITX</b>
	25	<b>OR22X2.5X</b>	<b>OR20.3X2.4VITX</b>
	30	<b>OR27X2.5X</b>	<b>OR25.3X2.4VITX</b>
	38	<b>OR35X2.5X</b>	<b>OR33.3X2.4VITX</b>

<sup>3)</sup> L = light series; <sup>4)</sup> S = heavy series

## OR O-rings for male stud ends

Male metric thread – O-ring (ISO 6149)

Male UN/UNF thread – O-ring (ISO 11926)



Types with metric thread:  
VSTI-OR, GEO, EGEO

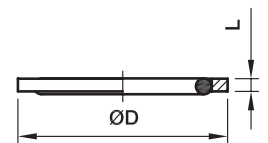
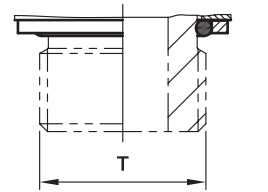
Thread T	O-ring NBR	O-ring FKM
M8 × 1	<b>OR6.1X1.6</b>	<b>OR6.1X1.6VITX</b>
M10 × 1	<b>OR8.1X1.6</b>	<b>OR8.1X1.6VITX</b>
M12 × 1.5	<b>OR9.3X2.2</b>	<b>OR9.3X2.2VITX</b>
M14 × 1.5	<b>OR11.3X2.2</b>	<b>OR11.3X2.2VITX</b>
M16 × 1.5	<b>OR13.3X2.2</b>	<b>OR13.3X2.2VITX</b>
M18 × 1.5	<b>OR15.3X2.2</b>	<b>OR15.3X2.2VITX</b>
M22 × 1.5	<b>OR19.3X2.2</b>	<b>OR19.3X2.2VITX</b>
M27 × 2	<b>OR23.6X2.9</b>	<b>OR23.6X2.9VITX</b>
M33 × 2	<b>OR29.6X2.9</b>	<b>OR29.6X2.9VITX</b>
M42 × 2	<b>OR38.6X2.9</b>	<b>OR38.6X2.9VITX</b>
M48 × 2	<b>OR44.6X2.9</b>	<b>OR44.6X2.9VITX</b>

Types with UN/UNF thread:  
GE-UNF

Thread T	O-ring NBR	O-ring FKM
7/16-20 UNF	<b>OR8.92X1.83</b>	<b>OR8.92X1.83VITX</b>
9/16-18 UNF	<b>OR11.89X1.98</b>	<b>OR11.89X1.98VITX</b>
3/4-16 UNF	<b>OR16.36X2.21</b>	<b>OR16.36X2.21VITX</b>
7/8-14 UNF	<b>OR19.18X2.46</b>	<b>OR19X2.5VITX</b>
1 1/16-12 UN	<b>OR23.47X2.95</b>	<b>OR23.47X2.95VITX</b>
1 5/16-12 UN	<b>OR29.74X2.95</b>	<b>OR29.74X2.95VITX</b>
1 5/8-12 UN	<b>OR37.46X3</b>	<b>OR37.46X3VITX</b>
1 7/8-12 UN	<b>OR43.69X3</b>	<b>OR43.69X3VITX</b>

## OR O-rings and retaining rings for male stud ends

Adjustable BSPP thread – O-ring + retaining ring (ISO 1179)



Types with BSPP thread: WEE-R

Thread T	Steel				Stainless steel			
	O-ring NBR	D	L	Order code Retaining ring CF	O-ring FKM	D	L	Order code Retaining ring Stainless Steel
G 1/8 A	<b>OR8X1.88X</b>	14.8	1.4	<b>RRS1/8CF</b>	same like steel	15.0	1.4	<b>8207SS1/8</b>
G 1/4 A	<b>OR10.77X2.62X</b>	19.8	1.9	<b>RRS1/4CF</b>	<b>OR10.77X2.62VITX</b>	19.5	1.9	<b>8207SS1/4A</b>
G 3/8 A	<b>OR13.94X2.62X</b>	22.8	2.0	<b>RRS3/8CF</b>	same like steel	23.5	1.9	<b>8207SS3/8A</b>
G 1/2 A	<b>OR8X3.15X</b>	27.8	2.6	<b>RRS1/2CF</b>	<b>OR17.96X2.62VITX</b>	28.5	1.9	<b>8207SS1/2</b>
G 3/4 A	<b>OR23X3X</b>	32.8	2.5	<b>RRS3/4CF</b>	<b>OR23.47X2.62VITX</b>	34.5	1.9	<b>8207SS3/4</b>
G 1 A	<b>OR29.74X3.53X</b>	40.8	2.5	<b>RRS1CF</b>	same like steel	43.5	2.6	<b>8207SS1A</b>
G 1 1/4 A	<b>OR37.69X3.53X</b>	50.8	2.6	<b>RRS11/4CF</b>	same like steel	52.5	2.6	<b>8207SS11/4</b>
G 1 1/2 A	<b>OR44.04X3.53X</b>	55.8	2.6	<b>RRS11/2CF</b>	same like steel	60.0	2.6	<b>8207SS11/2</b>

Order code suffixes	
Material	Example
NBR	OR10.77X2.62X
FKM	OR10.77X2.62VITX

### OR O-Rings for banjo fittings WH/TH

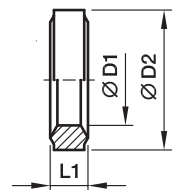
For WH / TH	For WH / TH	O-ring NBR	O-ring FKM
06LM/LR		<b>OR9.3X1.5X</b>	<b>OR9.3X1.5VITX</b>
08LM/LR	06SM/SR	<b>OR12.5X1.5X</b>	<b>OR12.5X1.5VITX</b>
10LM/LR	08SM/SR	<b>OR12.5X1.5X</b>	<b>OR12.5X1.5VITX</b>
12LM/LR	10SM/SR	<b>OR16X1.5X</b>	<b>OR16X1.5VITX</b>
	12SR	<b>OR16X1.5X</b>	<b>OR16X1.5VITX</b>
15LM	12SM	<b>OR18X1.5X</b>	<b>OR18X1.5VITX</b>
15LR	14SM/SR	<b>OR20X1.5X</b>	<b>OR20X1.5VITX</b>
18LM/LR	16SM/SR	<b>OR20X1.5X</b>	<b>OR20X1.5VITX</b>
22LM/LR	20SM/SR	<b>OR25X2X</b>	<b>OR25X2VITX</b>
28LM/LR	25SM/SR	<b>OR33X2.5X</b>	<b>OR33X2.5VITX</b>
35LM/LR	30SM/SR	<b>OR41X2.5X</b>	<b>OR41X2.5VITX</b>
42LM/LR	38SM/SR	<b>OR46X3X</b>	<b>OR46X3VITX</b>

### OR O-Rings for banjo elbows SWVE..M/R KDSOMD

For SWVE..M/R KDSOMD	O-ring NBR
04LLR/-   06LLR/LLM   08LLR/LLM   06LR/LM	<b>9X1.2</b>
08LM   06SM	<b>10X1.5</b>
08LR   06SR   10LR/LM   08SR/LM	<b>12.5X1.5</b>
12LR/LM   10SR/LM   12SR	<b>15X1.5</b>
15LM   12SM	<b>16X1.5</b>
15LR   14SR/-	<b>19X1.5</b>
18LR/LM   16SR/LM	<b>20X1.5</b>
22LR/LM   20SR/LM	<b>25.12X1.78</b>
28LR/LM   25SR/LM	<b>33X2.5</b>
35LR/LM   30SR/LM	<b>41X2.5</b>
42LR/LM   38SR/LM	<b>46X1.3</b>

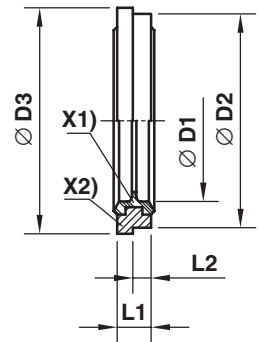
### DKI Sealing ring for pressure gauge connectors

Female thread	D1	D2	L1	Weight g/1 piece	Order code	
					Steel CF	Stainless Steel 71
G 1/4 A	6	11.3	4.5	2.5	<b>DKI1/4CFX</b>	<b>DKI1/471X</b>
G 1/2 A	12	18.5	5.0	5.0	<b>DKI1/2CFX</b>	<b>DKI1/271X</b>



## KDS Soft sealing ring for banjo fittings SWVE, WH and TH from steel

for small and wide spot faces of ports

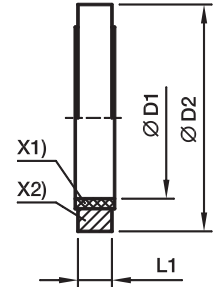


X1) NBR sealing  
X2) Supporting-ring (Steel)

Male stud metric thread	Male stud BSPP thread	D1	D2	D3	L1	L2	Weight g/1 piece	Order code	
								Steel/NBR	Steel/FKM
M10×1	G 1/8 A	10.3	14.9	16.0	2.5	1.1	2	<b>KDS10X</b>	<b>KDS10VITX</b>
M12×1.5		12.3	17.0	18.0	3.0	1.6	2	<b>KDS12X</b>	<b>KDS12VITX</b>
M14×1.5	G 1/4 A	14.3	18.9	20.0	3.0	1.6	2	<b>KDS14X</b>	<b>KDS14VITX</b>
M16×1.5	G 3/8 A	17.0	21.9	24.0	3.0	2.1	3	<b>KDS16X</b>	<b>KDS16VITX</b>
M18×1.5		18.3	23.9	23.9	3.0		4	<b>KDS18X</b>	<b>KDS18VITX</b>
M22×1.5	G 1/2 A	22.3	26.9	30.0	4.5	2.6	7	<b>KDS22X</b>	<b>KDS22VITX</b>
M26×1.5		26.3	31.9	35.0	3.5	2.6	7	<b>KDS26X</b>	<b>KDS26VITX</b>
M27×2	G 3/4 A	27.3	32.9	38.0	3.5	2.6	8	<b>KDS27X</b>	<b>KDS27VITX</b>
M33×2	G 1 A	33.6	39.9	42.0	3.5	2.6	10	<b>KDS33X</b>	<b>KDS33VITX</b>
M42×2	G 1 1/4 A	42.4	49.9	49.9	3.5		12	<b>KDS42X</b>	<b>KDS42VITX</b>
M48×2	G 1 1/2 A	48.4	55.9	60.0	3.5	2.6	16	<b>KDS48X</b>	<b>KDS48VITX</b>

## KD Soft sealing ring for banjo fittings WH/TH from stainless steel

for wide spot faces of ports



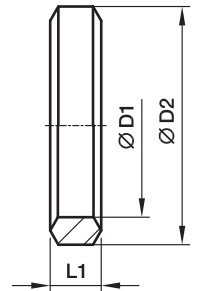
X1) PTFE sealing  
X2) Supporting-ring (Stainless Steel)

For WH and TH	For thread	D1	D2	L1	Weight g/1 piece	Order code
06LRKD71	G 1/8 A	10.0	17.0	2.5	2	<b>KD1/871</b>
08LR/06SRKD71	G 1/4 A	13.5	22.0	3.0	4	<b>KD1/471</b>
10LR/08SRKD71	G 1/4 A	13.5	22.0	3.0	4	<b>KD1/471</b>
12LR/10SRKD71	G 3/8 S	17.1	27.0	3.0	6	<b>KD3/871</b>
12SRKD71	G 3/8 A	17.1	27.0	3.0	6	<b>KD3/871</b>
15LR/14SRKD71	G 1/2 A	21.4	32.0	4.5	12	<b>KD1/271</b>
18LR/16SRKD71	G 1/2 A	21.4	32.0	4.5	12	<b>KD1/271</b>
22LR/20SRKD71	G 3/4 A	26.8	41.0	3.5	17	<b>KD3/471</b>
28LR/25SRKD71	G 1 A	33.5	46.0	3.5	17	<b>KD171</b>
35LR/30SRKD71	G 1 1/4 A	42.4	57.0	3.5	26	<b>KD11/471</b>
42LR/38SRKD71	G 1 1/2 A	48.4	64.0	3.5	35	<b>KD11/271</b>
06LMKD71	M 10×1	10.3	17.0	2.5	2	<b>KD1071</b>
08LM/06SMKD71	M 12×1.5	12.3	22.0	3.0	5	<b>KD1271</b>
10LM/08SMKD71	M 14×1.5	14.3	22.5	3.0	5	<b>KD1471</b>
12LM/10SMKD71	M 16×1.5	16.4	27.0	3.0	9	<b>KD1671</b>
15LM/12SMKD71	M 18×1.5	18.4	29.0	3.0	9	<b>KD1871</b>
14SMKD71	M 20×1.5	20.4	32.0	3.0	9	<b>KD2071</b>
18LM/16SMKD71	M 22×1.5	22.4	32.0	4.5	12	<b>KD2271</b>
22LMKD71	M 26×1.5	26.4	41.0	3.5	18	<b>KD2671</b>
20SMKD71	M 27×2	27.4	41.0	3.5	18	<b>KD2771</b>
28LM/25SMKD71	M 33×2	33.5	46.0	3.5	17	<b>KD171</b>
35LM/30SMKD71	M 42×2	42.4	57.0	3.5	26	<b>KD11/471</b>
42LM/38SMKD71	M 48×2	48.4	64.0	3.5	35	<b>KD11/271</b>



## DKAZ Sealing ring

for low pressure banjos DSVW

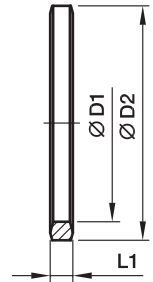


For DSVW		Metric thread parallel	D1	D2	L1	Weight g/1 piece	Order code Steel CF
06LM		M10×1	10.1	14	3.2	2	<b>DKAZ10CFX</b>
08LM	06SM	M12×1.5	12.1	17	4.2	3	<b>DKAZ12CFX</b>
10LM	08SM	M14×1.5	14.1	19	4.5	4	<b>DKAZ14CFX</b>
12LM	10SM	M16×1.5	16.1	21	4.5	4	<b>DKAZ16CFX</b>
15LM	12SM	M18×1.5	18.1	23	4.5	5	<b>DKAZ18CFX</b>
	14SM	M20×1.5	20.1	25	4.5	5	<b>DKAZ20CFX</b>
18LM	16SM	M22×1.5	22.1	27	4.5	6	<b>DKAZ22CFX</b>
22LM		M26×1.5	26.1	31	4.5	7	<b>DKAZ26CFX</b>
	20SM	M27×2	27.1	32	5.0	8	<b>DKAZ27CFX</b>
28LM	25SM	M33×2	33.1	39	6.0	15	<b>DKAZ33CFX</b>
35LM	30SM	M42×2	42.1	49	6.5	22	<b>DKAZ11/4CFX</b>
42LM	38SM	M48×2	48.1	55	6.5	25	<b>DKAZ11/2CFX</b>

For DSVW		BSPP thread parallel	D1	D2	L1	Weight g/1 piece	Order code Steel CF
06LR		G1/8A	9.8	14	3.2	2	<b>DKAZ1/8CFX</b>
08LR/10LR	06SR/08SR	G1/4A	13.3	18	4.5	4	<b>DKAZ1/4CFX</b>
12LR	10SR/12SR	G3/8A	16.8	22	4.5	5	<b>DKAZ3/8CFX</b>
15LR/18LR	14SR/16SR	G1/2A	21.1	26	5.0	6	<b>DKAZ1/2CFX</b>
22LR	20SR	G3/4A	26.6	32	5.0	11	<b>DKAZ3/4CFX</b>
28LR	25SR	G1A	33.4	39	6.0	14	<b>DKAZ1CFX</b>
35LR	30SR	G11/4A	42.1	49	6.5	22	<b>DKAZ11/4CFX</b>
42LR	38SR	G11/2A	48.1	55	6.5	25	<b>DKAZ11/2CFX</b>

## DKA Sealing ring

for banjo fittings WH/TH and SWVE



BSPP thread	D1	D2	L1	Weight g/1 piece	Order code	
					Steel CF	Stainless Steel 71
G 1/8 A	9.8	14	2.5	1	<b>DKA1/8CFX</b>	<b>DKA1/871X</b>
G 1/4 A	13.3	18	3.0	3	<b>DKA1/4CFX</b>	<b>DKA1/471X</b>
G 3/8 A	16.8	22	3.0	3	<b>DKA3/8CFX</b>	<b>DKA3/871X</b>
G 1/2 A	21.1	26	4.5	6	<b>DKA1/2X4.5CFX</b>	<b>DKA1/2X4.571X</b>
G 3/4 A	26.6	32	3.5	6	<b>DKA3/4CFX</b>	<b>DKA3/471X</b>
G 1 A	33.4	39	3.5	8	<b>DKA1CFX</b>	<b>DKA171X</b>
G 1 1/4 A	42.1	49	3.5	12	<b>DKA11/4CFX</b>	<b>DKA11/471X</b>
G 1 1/2 A	48.1	55	3.5	15	<b>DKA11/2CFX</b>	<b>DKA11/271X</b>

Male stud metric thread	D1	D2	L1	Weight g/1 piece	Order code	
					Steel CF	Stainless Steel 71
M 8x1	8.1	12	2.5	1	<b>DKA08CFX</b>	
M 10x1	10.1	14	3.0	1	<b>DKA10CFX</b>	<b>DKA1071X</b>
M 12x1.5	12.1	17	3.0	2	<b>DKA12CFX</b>	<b>DKA1271X</b>
M 14x1.5	14.1	19	3.0	3	<b>DKA14CFX</b>	<b>DKA1471X</b>
M 16x1.5	16.1	21	3.0	3	<b>DKA16CFX</b>	<b>DKA1671X</b>
M 18x1.5	18.1	23	3.0	3	<b>DKA18CFX</b>	<b>DKA1871X</b>
M 20x1.5	20.1	25	3.0	4	<b>DKA20CFX</b>	<b>DKA2071X</b>
M 22x1.5	22.1	27	4.5	6	<b>DKA22X4.5CFX</b>	<b>DKA22X4.571X</b>
M 26x1.5	26.1	31	3.5	6	<b>DKA26X3.5CFX</b>	<b>DKA26X3.571X</b>
M 27x2	27.1	32	3.5	6	<b>DKA27CFX</b>	<b>DKA2771X</b>
M 33x2	33.1	39	3.5	8	<b>DKA33CFX</b>	<b>DKA3371X</b>
M 42x2	42.1	49	3.5	12	<b>DKA11/4CFX</b>	<b>DKA11/471X</b>
M 48x2	48.1	55	3.5	15	<b>DKA11/2CFX</b>	<b>DKA11/271X</b>