

**General Description**

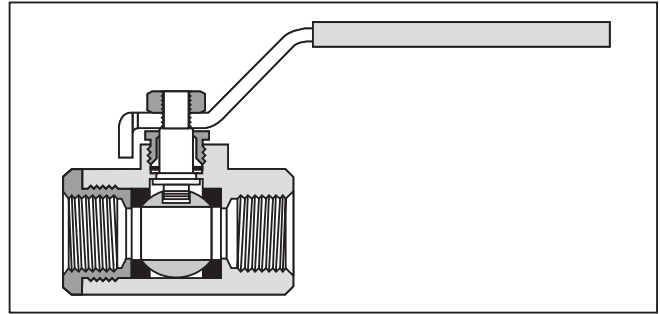
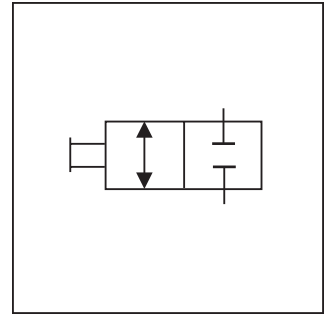
Series 500 low pressure ball valves provide total shut-off capability for services up to 41 Bar (600 PSI). Series 500 consists of NPT female/female ports, Series 510 and 501 are male/female in SAE and NPT respectively, and Series 506 are female/female in SAE. Series 502 features panel mounting capability.

**Operation**

A quarter turn of the handle is on or off. Ball valves are not intended for use as a throttling valve. Attempting to use it in these applications may result in premature seal failure and/or inability to turn the valve handle.

**Features**

- Ball valve bodies are machined from high quality CA377 forgings which provide extended service life and resist failure caused by severe temperature conditions.
- Highly inert PTFE seats and seals provide resistance to chemical corrosion.
- Blowout proof stem design, chrome plated brass ball and a special design handle enable increased turn and leverage for ease of opening and closing.
- Padlocking handle option provides lock-out capability where required.
- Venting option relieves downstream pressure in pneumatic applications.



**Specifications**

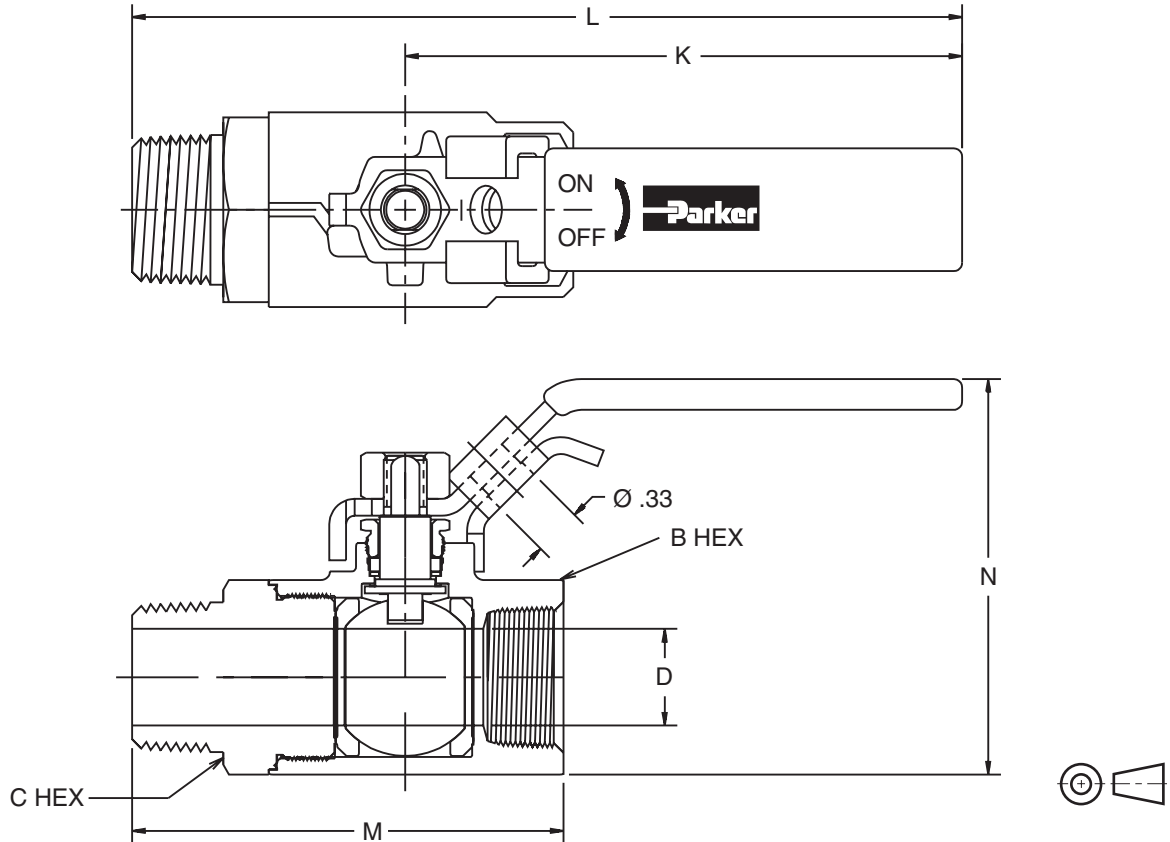
<b>Maximum Working Pressure</b>	41 Bar (600 PSI) Vented up to 17 Bar (250 PSI) Saturated Steam up to 10 Bar (150 PSI) Vacuum service to 29 in. Hg
---------------------------------	--

**Ordering Information**

<input type="checkbox"/>	<input type="checkbox"/>	<input checked="" type="checkbox"/>	<input type="checkbox"/>	<input type="checkbox"/>	<input type="checkbox"/>																																																								
Style	Ports	Material	Size	Options	Design Series																																																								
<table border="0"> <tr><th>Code</th><th>Description</th></tr> <tr><td>V</td><td>Valve</td></tr> <tr><td>VP *</td><td>Valve, Padlocking Handle</td></tr> <tr><td>VV **</td><td>Valve, Vented</td></tr> <tr><td>VVP **</td><td>Valve Vented, Padlocking Handle</td></tr> </table>	Code	Description	V	Valve	VP *	Valve, Padlocking Handle	VV **	Valve, Vented	VVP **	Valve Vented, Padlocking Handle	<table border="0"> <tr><th>Code</th><th>Description</th></tr> <tr><td>500</td><td>Female/Female NPT Ports</td></tr> <tr><td>501</td><td>Male/Female NPT Ports</td></tr> <tr><td>502</td><td>Female/Female NPT Ports Panel Mount</td></tr> <tr><td>506</td><td>Female/Female Straight Thread O-ring Ports</td></tr> <tr><td>510</td><td>Male/Female Straight Thread O-ring Ports</td></tr> </table>	Code	Description	500	Female/Female NPT Ports	501	Male/Female NPT Ports	502	Female/Female NPT Ports Panel Mount	506	Female/Female Straight Thread O-ring Ports	510	Male/Female Straight Thread O-ring Ports	<table border="0"> <tr><th>Code</th><th>Description</th></tr> <tr><td>P</td><td>Brass</td></tr> </table>	Code	Description	P	Brass	<table border="0"> <tr><th>Code</th><th>Size</th></tr> <tr><td>4</td><td>1/4" NPT</td></tr> <tr><td>6</td><td>3/8" NPT</td></tr> <tr><td>8</td><td>1/2" NPT</td></tr> <tr><td>12</td><td>3/4" NPT</td></tr> <tr><td>16</td><td>1" NPT</td></tr> <tr><td>20*</td><td>1 1/4" NPT</td></tr> <tr><td>24*</td><td>1 1/2" NPT</td></tr> <tr><td>32*</td><td>2" NPT</td></tr> </table>	Code	Size	4	1/4" NPT	6	3/8" NPT	8	1/2" NPT	12	3/4" NPT	16	1" NPT	20*	1 1/4" NPT	24*	1 1/2" NPT	32*	2" NPT	<table border="0"> <tr><th>Code</th><th>Description</th></tr> <tr><td>Omit</td><td>No option</td></tr> <tr><td>01</td><td>Stainless Steel Ball &amp; Stem (Size 4 to 16 only)</td></tr> <tr><td>02</td><td>Stainless Steel Handle &amp; Nut</td></tr> <tr><td>03</td><td>Stainless Steel Ball, Stem, Handle &amp; Nut (Size 4 to 16 only)</td></tr> <tr><td>04</td><td>T Handle</td></tr> </table>	Code	Description	Omit	No option	01	Stainless Steel Ball & Stem (Size 4 to 16 only)	02	Stainless Steel Handle & Nut	03	Stainless Steel Ball, Stem, Handle & Nut (Size 4 to 16 only)	04	T Handle	NOTE: Not required when ordering.
Code	Description																																																												
V	Valve																																																												
VP *	Valve, Padlocking Handle																																																												
VV **	Valve, Vented																																																												
VVP **	Valve Vented, Padlocking Handle																																																												
Code	Description																																																												
500	Female/Female NPT Ports																																																												
501	Male/Female NPT Ports																																																												
502	Female/Female NPT Ports Panel Mount																																																												
506	Female/Female Straight Thread O-ring Ports																																																												
510	Male/Female Straight Thread O-ring Ports																																																												
Code	Description																																																												
P	Brass																																																												
Code	Size																																																												
4	1/4" NPT																																																												
6	3/8" NPT																																																												
8	1/2" NPT																																																												
12	3/4" NPT																																																												
16	1" NPT																																																												
20*	1 1/4" NPT																																																												
24*	1 1/2" NPT																																																												
32*	2" NPT																																																												
Code	Description																																																												
Omit	No option																																																												
01	Stainless Steel Ball & Stem (Size 4 to 16 only)																																																												
02	Stainless Steel Handle & Nut																																																												
03	Stainless Steel Ball, Stem, Handle & Nut (Size 4 to 16 only)																																																												
04	T Handle																																																												

\* Only available up to #16 SAE in Series 506.  
 \*\* Not available in Series 506 and only available up to size 16 in other series.  
 \* Available only in 500 Type

**Model V501P and VP501P**



Part Number	Pipe Thread	B Hex	C Hex	Dimensions mm (in)				D Flow Ø
				K	L	M	N	
<b>Male-Female Pipe Ends V501P</b>								
V501P4	1/4"	15/16"	15/16"	100.6 (3.96)	138.7 (5.46)	65.8 (2.59)	62.7 (2.47)	8.7 (0.344)
V501P6	3/8"	15/16"	15/16"	100.6 (3.96)	138.7 (5.46)	65.8 (2.59)	62.7 (2.47)	9.5 (0.375)
V501P8	1/2"	1-1/16"	1-1/16"	100.6 (3.96)	146.1 (5.75)	74.9 (2.95)	65.5 (2.58)	12.7 (0.500)
V501P12	3/4"	1-1/4"	1-5/16"	100.6 (3.96)	148.1 (5.83)	76.2 (3.00)	71.4 (2.81)	17.4 (0.685)
V501P16	1"	1-1/2"	1-9/16"	100.6 (3.96)	157.2 (6.19)	91.4 (3.60)	78.2 (3.08)	22.2 (0.875)
<b>Locking Handle, Male-Female Pipe Ends VP501P (Shown above)</b>								
VP501P4	1/4"	15/16"	15/16"	100.6 (3.96)	138.7 (5.46)	65.8 (2.59)	62.7 (2.47)	8.7 (0.344)
VP501P6	3/8"	15/16"	15/16"	100.6 (3.96)	138.7 (5.46)	65.8 (2.59)	62.7 (2.47)	9.5 (0.375)
VP501P8	1/2"	1-1/16"	1-1/16"	100.6 (3.96)	146.1 (5.75)	74.9 (2.95)	65.5 (2.58)	12.7 (0.500)
VP501P12	3/4"	1-1/4"	1-5/16"	100.6 (3.96)	148.1 (5.83)	76.2 (3.00)	71.4 (2.81)	17.4 (0.685)
VP501P16	1"	1-1/2"	1-9/16"	100.6 (3.96)	157.2 (6.19)	91.4 (3.60)	78.2 (3.08)	22.2 (0.875)

Locking handle parts: For use with 5/16" Ø shank lock