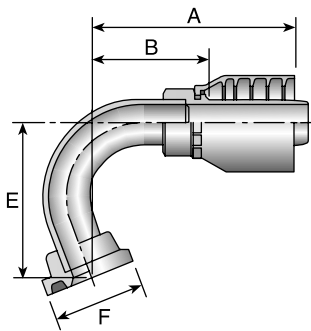


18971

SAE Code 61 Flange Head - 90° Elbow - Long Drop

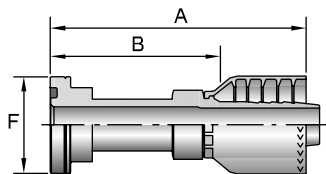
# Part Number	Flange inch	Hose I.D. inch	A		E		F		B	
			inch	mm	inch	mm	inch	inch	mm	
18971-12-12	3/4	3/4	3.49	89	3.03	77	1-1/2	2.11	54	
18971-16-16	1	1	4.52	115	4.60	117	1-3/4	2.74	70	
18971-20-16	1-1/4	1	4.53	115	4.60	117	2	2.75	70	



12U71

SAE Code 61 Flange Head - 110° Elbow

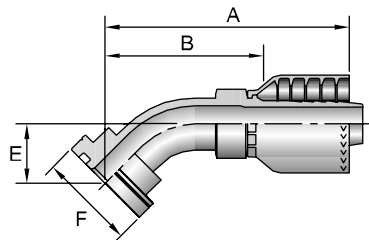
# Part Number	Flange inch	Hose I.D. inch	A		E		F		B	
			inch	mm	inch	mm	inch	inch	mm	
12U71-16-16	1	1	4.49	114	3.69	94	1-3/4	2.71	69	



16A71

SAE Code 62 Flange Head ISO 12151-3 - S - S

# Part Number	Flange inch	Hose I.D. inch	A		F		B	
			inch	mm	inch	inch	mm	
16A71-12-12	3/4	3/4	4.31	109	1-5/8	2.93	74	
16A71-16-12	1	3/4	3.10	78,7	1-7/8	1.72	43,7	
16A71-16-16	1	1	4.89	124	1-7/8	3.11	79	
16A71-20-16	1-1/4	1	3.69	93,7	2-1/8	1.91	48,5	
16A71-20-20	1-1/4	1-1/4	5.01	127,3	2-1/8	3.32	84,3	
16A71-24-24	1-1/2	1-1/2	6.34	161,0	2-1/2	4.15	105,4	
16A71-32-32	2	2	7.16	182	3-1/8	4.96	126	



16F71

SAE Code 62 Flange Head - 45° Elbow ISO 12151-3 - E45S - L (1 Piece: ISO 12151-3 - E45M - S)

# Part Number	Flange inch	Hose I.D. inch	A		E		F		B	
			inch	mm	inch	mm	inch	inch	mm	
16F71-12-12	3/4	3/4	3.82	97	1.03	26	1-5/8	2.44	62	
16F71-16-16	1	1	4.74	120,3	1.26	32	1-7/8	2.96	75,2	
16F71-20-16	1-1/4	1	4.61	117	1.06	27	2-1/8	3.02	77	
16F71-20-20	1-1/4	1-1/4	5.07	129	1.19	30	2-1/8	3.38	86	
16F71-24-24	1-1/2	1-1/2	6.21	158	1.44	37	2-1/2	4.02	102	
16F71-32-32	2	2	7.87	200	2.05	52	3-1/8	5.67	144	

See Accessories Section for O-Rings and Flange Kits.