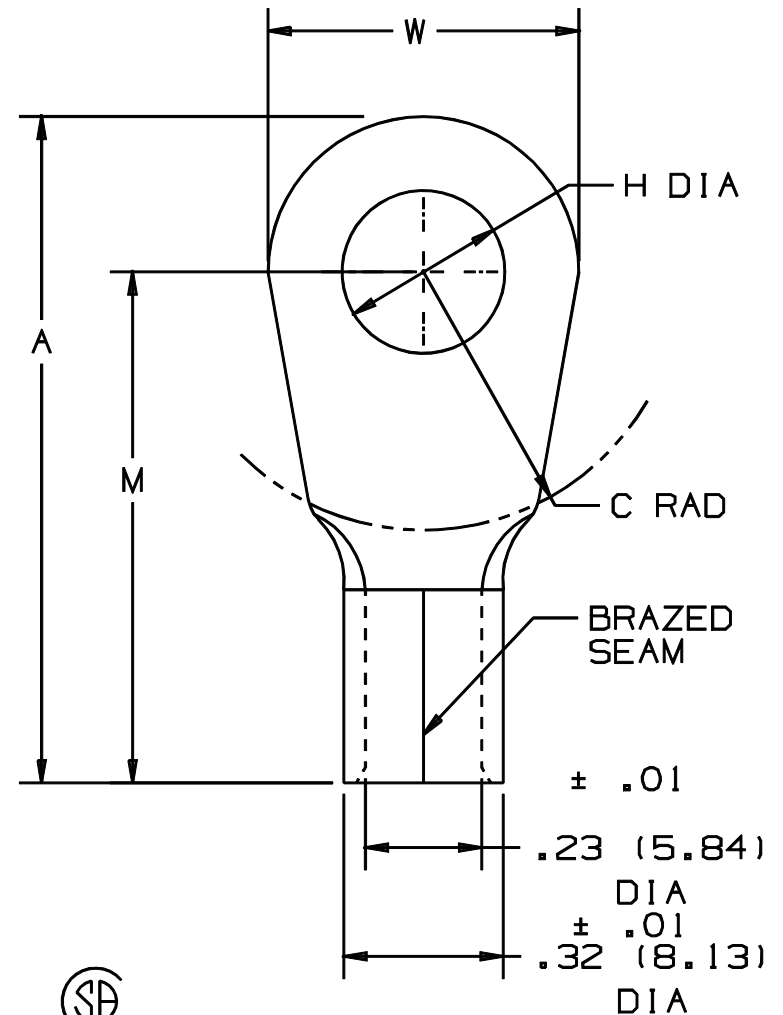


THIS COPY IS PROVIDED ON A RESTRICTED BASIS AND IS NOT TO BE USED IN ANY WAY DETRIMENTAL TO THE INTERESTS OF PANDUIT CORP.

PANDUIT PART NUMBER	STUD SIZE	DIMENSIONS in.				
		A $\pm .03$	W $\pm .01$	C $\pm .02$	M $\pm .03$	H $\pm .01$
P6-8R	#8	1.21 (30.73)	.47 (11.94)	.43 (10.92)	.97 (24.64)	.17 (4.32)
P6-10R	#10	1.21 (30.73)	.47 (11.94)	.43 (10.92)	.97 (24.64)	.20 (5.08)
P6-14R	1/4"	1.21 (30.73)	.47 (11.94)	.43 (10.92)	.97 (24.64)	.27 (6.86)
P6-56R	5/16"	1.33 (33.78)	.62 (15.75)	.51 (12.95)	1.02 (25.91)	.33 (8.38)
P6-38R	3/8"	1.33 (33.78)	.62 (15.75)	.51 (12.95)	1.02 (25.91)	.39 (9.91)
P6-12R	1/2"	1.43 (36.32)	.82 (20.83)	.51 (12.95)	1.02 (25.91)	.52 (13.21)



NOTES:

- UL LISTED AND CSA CERTIFIED FOR:
A. 302° F (150° C) MAX OPERATING TEMP
B. #6 AWG STRANDED COPPER WIRE
- PACKAGE QTY: STD. PKG. -E=20
BULK PKG. -T=200
- MATERIAL: .045" (1.14) THK COPPER, TIN PLATED
- DIMENSIONS IN BRACKETS ARE IN MILLIMETERS
- INSTALLATION TOOL: CT-700
- WIRE STRIP LENGTH: 7/16 $\pm 1/32$ $_{-0}^{+0}$ (11.1 $\pm .8$ $_{-0}^{+0}$)



LISTED
587H
E52164



CERTIFIED
LR31212

A41214_03

03	1/01	KMD		CAD FILE SPEC. WAS N41214AA_PCD_02					<p>TINLEY PARK, ILLINOIS</p> <p>#6 BARREL NON-INSULATED RING TONGUE</p>		
02	10/94	TH		UPDATED NOTES AND DIMENSIONS	02579						
01	7-88	DW		REDRAWN WITH REVISIONS							
REV	DATE	BY	CHK	DESCRIPTION	ECN #	CUST	PM	DRAWN BY DAW	CHK'D	SCALE NONE	DRAWING NO. A41214