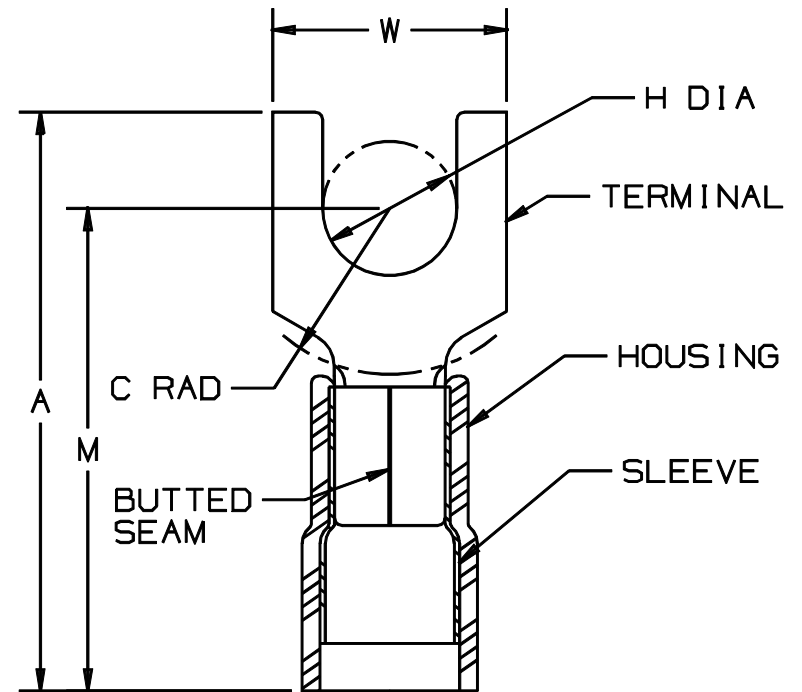


THIS COPY IS PROVIDED ON A RESTRICTED BASIS AND IS NOT TO BE USED IN ANY WAY DETRIMENTAL TO THE INTERESTS OF PANDUIT CORP.

PANDUIT PART NUMBER		STUD SIZE	DIMENSIONS in.				
PREFIX	PK		A <sup>±.03</sup> (1.8)	W <sup>±.01</sup> (1.3)	C <sup>±.02</sup> (1.5)	M <sup>±.03</sup> (1.8)	H <sup>±.01</sup> (1.3)
PN18-6FN	-C -M	#6	.78 (19.8)	.24 (6.1)	.20 (5.1)	.64 (16.3)	.15 (3.8)
PN18-6F	-C -M	#6	.78 (19.8)	.30 (7.6)	.20 (5.1)	.64 (16.3)	.15 (3.8)
PN18-8F	-C -M	#8	.85 (21.6)	.32 (8.1)	.23 (5.8)	.68 (17.3)	.17 (4.3)
PN18-10F	-C -M	#10	.86 (21.8)	.35 (8.9)	.25 (6.3)	.70 (17.8)	.20 (5.1)
PN18-10FN	-C -M	#10	.86 (21.8)	.31 (7.9)	.25 (6.3)	.70 (17.8)	.20 (5.1)
PN18-14F	-C -M	1/4"	1.03 (26.2)	.44 (11.2)	.33 (8.4)	.78 (19.8)	.27 (6.9)



NOTES :

- UL LISTED AND CSA CERTIFIED FOR :
  - 600 V MAX. VOLTAGE RATING
  - 221°F (105°C) MAX. TEMP. RATING
  - #22-18 AWG SOLID OR STRANDED COPPER WIRE WITH CT-100 INSTALLATION TOOL
  - #22-16 AWG SOLID OR STRANDED COPPER WIRE WITH CT-500, CT-550 CT-1550, CT-1551, & CT-400 (UL ONLY) INSTALLATION TOOLS
- PANDUIT APPROVED (#22-18 AWG) WITH CT-160 & CT-260 INSTALLATION TOOLS
- WIRE STRIP LENGTH: 7/32 <sup>+1/32</sup> (5.6 <sup>+0.8</sup>)  
-0 <sup>-0</sup>
- MAX WIRE INSULATION DIA: .145 (3.68)  
MIN WIRE INSULATION DIA: .080 (2.03)
- MATERIAL :
  - STAMPING : .03" (1.8) THK COPPER, TIN PLATED
  - HOUSING : RED NYLON
  - SLEEVE : TIN PLATED BRASS
- PACKAGING:
  - STD : -C = 100
  - BULK : -M = 1000
- DIMENSIONS IN BRACKETS ARE IN MILLIMETERS



LISTED  
587H  
E52164



CERTIFIED  
LR31212

A41191\_04

04	1/01	KMD		CAD FILE SPEC. WAS N41191AA_PCD_03				<p>TINLEY PARK, ILLINOIS</p> <p>3PC. NYLON INSULATED, 22-18 BARREL, FORKS</p>								
03	12/96	JAMB		ADDED NOTE, "MIN WIRE INSUL. DIA."	05371											
02	5/96	TH	RLS	UPDATED NOTES & DIMENSIONS	04464	LA	DRH									
01	8/92	BK	RLS	UPDATED DIMENSIONS & FORMAT	01124	LA	JJMC									
REV	DATE	BY	CHK	DESCRIPTION	ECN #	CUST	PM	<table border="0"> <tr> <td>DRAWN BY</td> <td>CHK'D</td> <td>SCALE</td> <td>DRAWING NO.</td> </tr> <tr> <td>FES</td> <td>RLS</td> <td>NONE</td> <td>A41191</td> </tr> </table>	DRAWN BY	CHK'D	SCALE	DRAWING NO.	FES	RLS	NONE	A41191
DRAWN BY	CHK'D	SCALE	DRAWING NO.													
FES	RLS	NONE	A41191													