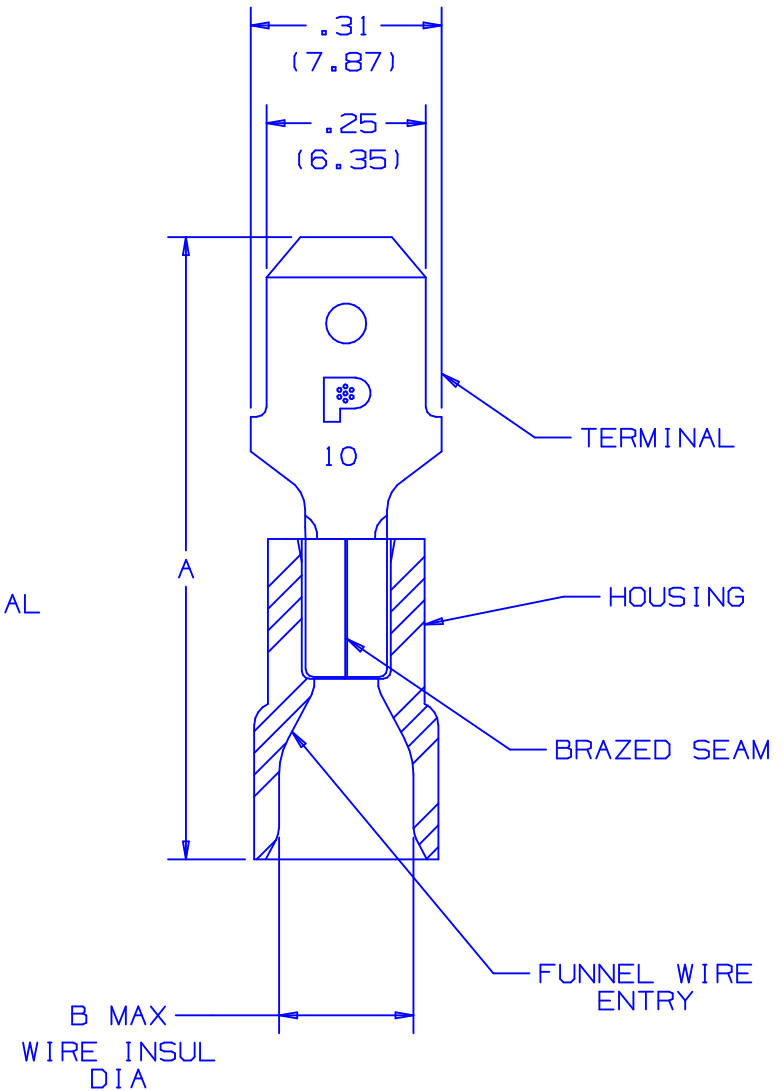


PANDUIT PART NUMBER	WIRE RANGE	COLOR CODE	DIMENSIONS in.	
			A <sup>±.03</sup>	B
DV10-250M	12-10	YELLOW	0.98 (24,9)	.235 (5,97)

NOTES :

- USE FOR:
  - A. STRANDED COPPER WIRE ONLY
  - B. 194°F (90°C) MAX TEMP RATING OF INSULATION MATERIAL
  - C. 600V MAX VOLTAGE RATING
- MATERIAL :
  - A. STAMPING - .032" THK COPPER, NICKEL PLATED
  - B. HOUSING - VINYL
- DIMENSIONS IN BRACKETS ARE IN MILLIMETERS
- INSTALLATION TOOLS : CT-100, CT-260, CT-550
- PKG QTY. -L=50  
-D=500
- WIRE STRIP LENGTH:  $9/32^{+1/32}_{-0}$  (7,1 <sup>+,B</sup> <sub>-0</sub>)



A41195\_05

05	11/04	KLFU		ADDED #10			
04	1/01	KMDSKB		CAD FILE SPEC. WAS N41195AA_PCD_03	8938	JAC	CCH
03	10/98	JD		MATERIAL WAS TIN PLATED	07642		
02	6/95	MS	LM	UPDATED NOTES AND DIMENSIONS	03404	LA	DH
REV	DATE	BY	CHK	DESCRIPTION	ECN#	CUST	END



TINLEY PARK, ILLINOIS

2PC. VINYL INSULATED,  
12-10, 250 X .032 MALE TAB

DRAWN BY FES	CHK'D	SCALE NONE	DRAWING NO. A41195
-----------------	-------	---------------	-----------------------