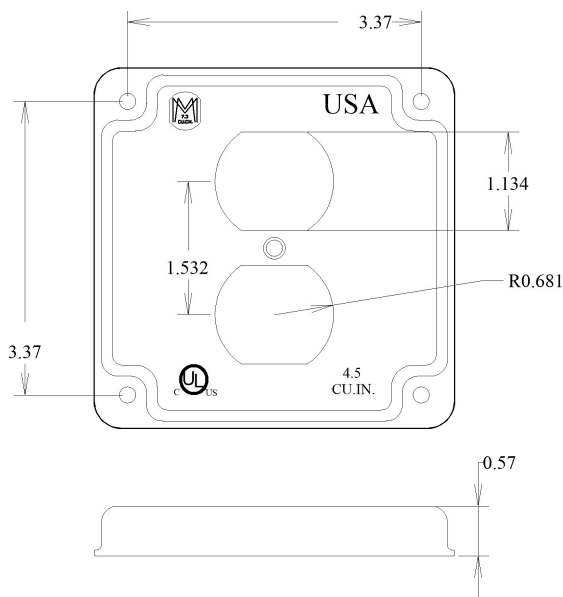


Mulberry Metal Products—Manufacturing Quality Electrical Products in the USA



Call Us: (908) 688-8850

4 inch square cover, raised 1/2 inch, duplex



Category: 4 inch square covers, raised 1/2 inch.

Application: When mounted to a 4 inch box, these items cover and support exposed switches, receptacles and other wiring devices. Generally used when an electrical box is surface mounted.

Construction: Galvanized steel with a powder coat finish; 0.0625 inches thick.

Additional Information

Product Type: Steel Box Covers

CAT. NO. / UPC	TYPE	SIZE
11402.0	Duplex	4 inch square

UPC UPC 95327114028		
----------------------------	--	--

Category: 4 inch square covers, raised 1/2 inch.

Application: When mounted to a 4 inch box, these items cover and support exposed switches, receptacles and other wiring devices. Generally used when an electrical box is surface mounted.

Construction: Galvanized steel with a powder coat finish; 0.0625 inches thick.

Size: 4 inch square

Opening: Duplex

Certification: c-UL-us Listed.

Product Features:

Powder coat paint finish prevents oxidation and possible rust.

Fully depressed corners (crushed corners) allow easier, faster box mounting.

Additional device mounting holes for the duplex opening meet latest NEC requirements.

1/2 inch nickel-plated steel mounting screws included.

Manufactured in the USA.

Carton Quantity: 50 pcs.
