

Mulberry Steel Box Covers & Conduit Bodies

When U.S.-made steel box covers are specified for a job or needed to meet an ARRA requirement, make Mulberry your first choice!

With the exception of our knock-out seals and our conduit bodies, every steel item in this section is manufactured right here in the USA!

In addition, we offer:

- Superior stamping, tapping and finishing
- Smooth powder paint finish on 4 inch raised covers
- Special openings and combinations available for most covers
- Excellent service – local stock, fast turnaround, and quick delivery from our factory and regional warehouses

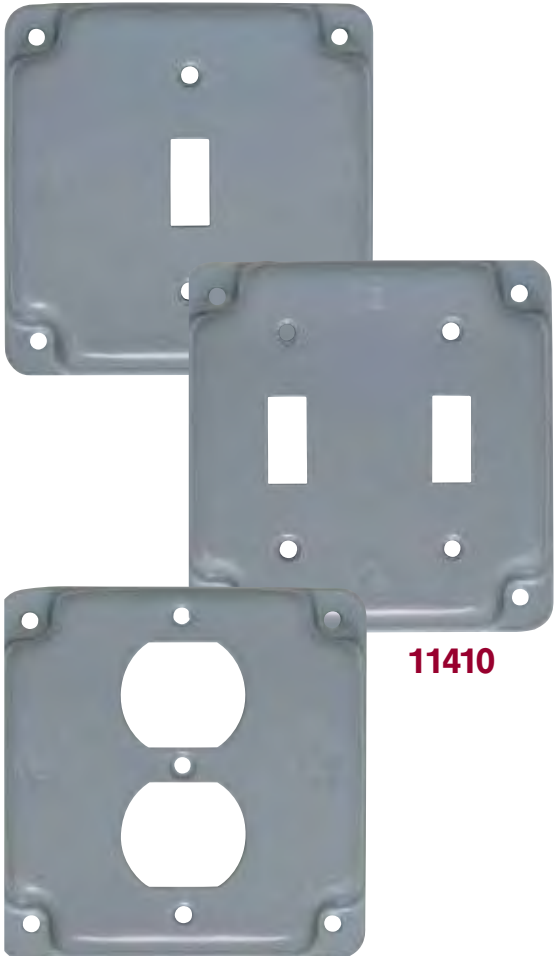


Round & Square Flat Covers
Device Covers
Square Raised Covers
FS Covers
Gang Box Covers
Die-Cast & Malleable Iron Conduit Bodies
Knockout Seals
Reducing Washers
Nail Plates



Mulberry 4 Inch Square Raised Covers

Superior Quality • U.S. Made




11401

11410

11402

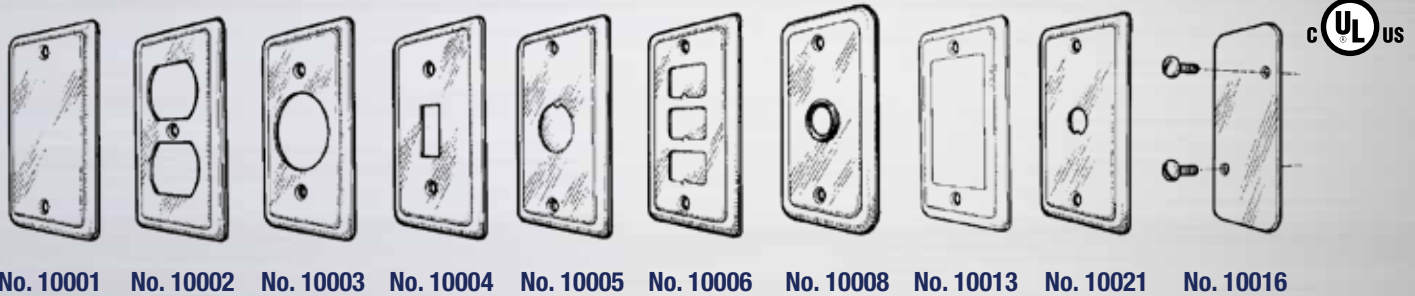
- Over 20 different openings and configurations available
- Depressed corners for easier mounting
- Gray powder coat finish helps prevent oxidation and possible rust
- Covers with duplex openings come with additional screw holes and mounting hardware to meet the latest NEC requirements
- Made in the USA



Utility Covers

4-3/32" x 2-7/32"

- Galvanized steel, smooth finish.
- Special utility covers available in stainless steel and painted metal (please use item no. 10011).



Catalog No.	Description	Box Quantity	Carton Quantity	Weight Per 100 Units
10001	Blank	25	250	10 lbs.
10002	Duplex	25	250	7 lbs.
10003	Single Receptacle	25	250	8 lbs.
10004	Toggle	25	250	9 lbs.
10005	1/2" Knockout	25	250	9 lbs.
10006*†	3 Device Interchangeable with strap	20	200	16 lbs.
10008*	Bushed Telephone 5/8" ID	20	200	11 lbs.
10009	1.620" dia. 20A TL Receptacle	25	250	8 lbs.
10010	1.730" dia. 30A TL Receptacle	25	250	8 lbs.
10013	GFCI Receptacle (Box mounting 3.281")	25	250	7 lbs.
10021*	Appliance Switch (.4687" dia.)	25	250	9 lbs.
10016	Rectangular cover for small handy box (3.7813 x 1.5938", fits Appleton 4SS, Raco 640)	25	250	12 lbs.

*Painted with a baked cadilite finish.

†To be discontinued when stock exhausted.

