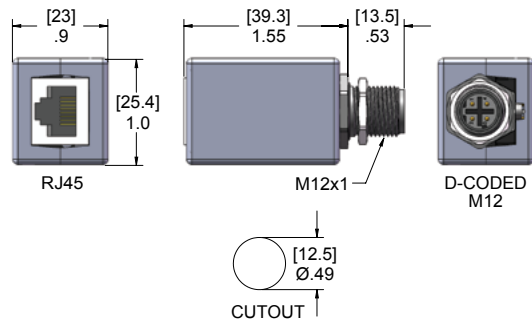




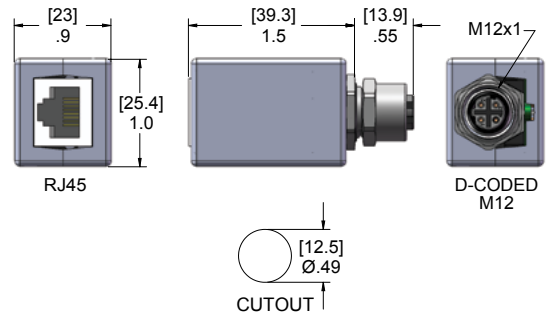
4 Pole D-Coded MDE45 to Female RJ45						
# of Poles	MDE45 Faceview	MDE45 Color Code	Wiring MDE45 to RJ45	RJ45 Color Code	Part Number	RJ45 Faceview
4 Male D-Coded	 M12 x 1	1. White/Orange (+TX) 2. White/Green (+RX) 3. Orange (-TX) 4. Green (-RX)	1 to 1 2 to 3 3 to 2 4 to 6	1. White/Orange (+TX) 2. Orange (-TX) 3. White/Green (+ RX) 4. N/C 5. N/C 6. Green (-RX) 7. N/C 8. N/C	MDE45RJ-4MFR-BM	 87654321 RJ45
4 Female D-Coded	 M12 x 1	1. White/Orange (+TX) 2. White/Green (+RX) 3. Orange (-TX) 4. Green (-RX)	1 to 1 2 to 3 3 to 2 4 to 6	1. White/Orange (+TX) 2. Orange (-TX) 3. White/Green (+ RX) 4. N/C 5. N/C 6. Green (-RX) 7. N/C 8. N/C	MDE45RJ-4FFR-BM	 87654321 RJ45
8 Pole A-Coded MDE45 to Female RJ45						
8 Male A-Coded	 M12 x 1	1. White/Blue 2. White/Brown 3. Brown 4. Orange (-TX) 5. White/Green (+RX) 6. White/Orange (+TX) 7. Blue 8. Green (-RX)	1 to 5 2 to 7 3 to 8 4 to 2 5 to 3 6 to 1 7 to 4 8 to 6	1. White/Orange (+TX) 2. Orange (-TX) 3. White/Green (+ RX) 4. Blue 5. White/Blue 6. Green (-RX) 7. White/Brown 8. Brown	MDE45RJ-8MFR-BM	 87654321 RJ45
8 Female A-Coded	 M12 x 1	1. White/Blue 2. White/Brown 3. Brown 4. Orange (-TX) 5. White/Green (+RX) 6. White/Orange (+TX) 7. Blue 8. Green (-RX)	1 to 5 2 to 7 3 to 8 4 to 2 5 to 3 6 to 1 7 to 4 8 to 6	1. White/Orange (+TX) 2. Orange (-TX) 3. White/Green (+ RX) 4. Blue 5. White/Blue 6. Green (-RX) 7. White/Brown 8. Brown	MDE45RJ-8FFR-BM	 87654321 RJ45

Ethernet Series

Male M12 to Female RJ45



Female M12 to Female RJ45



Specifications:

Housing: PBT
 Insulator: Polyamide
 Contacts: Copper Alloy with Gold Plating
 RJ45 Connector: CAT5e

O-Ring: NBR
 Jam Nut: Nickel Plated Brass
 Temperature: -40°C to +80°C (-40°F to +176°F)