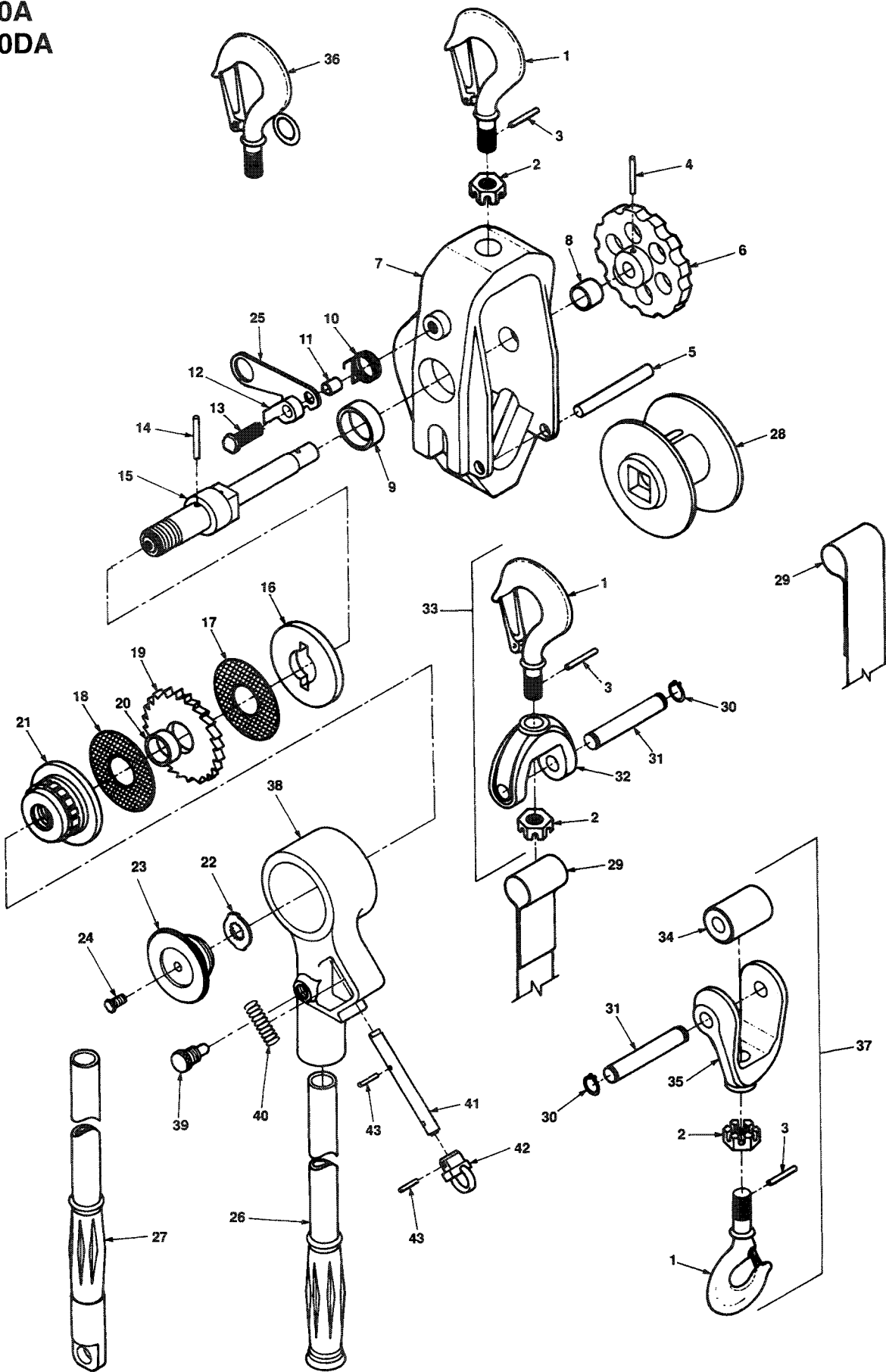


2000A
2000DA



PARTS LIST

Item	Description	Part No.
1	Hook with Latch	24
2	Slotted Nut	16
3	Pin	H-5250
4	Pin	73-1
5	Pin	H-5273
6	Handwheel	32R
7	Frame	RLB-18
8	Bearing	RLB-530
9	Bearing	RLB-531
10	Spring	RLB-310
11	Bushing	RLB-201
12	Pawl	MA-25Z
13	Hex Screw	H-2308P
14	Pin	H-5261
15	Shaft	RLB-134
16	Thrust Washer	MA-33Z
17	Brake Disc	MA-580-1A
18	Brake Disc	MA-580-A
19	Ratchet	MA-7-1Z
20	Bushing	MA-530
21	Hub	MA-35Z
22	Thread Stop	MAL-251-1
23	Handle Cap	MA-100
24	Screw	H-2989P

Item	Description	Part No.
25	Pawl Trigger	RLB-25
26	Fiberglass Handle	350
27	Fiberglass Handle with Ring	350SPL
28	Drum	RLB-16
29	Strap	3471/12
30	Retaining Ring	322RR
31	Shaft	396R
32	Swivel Shackle	3433
33	Shackle Assembly with #36 Hook	335 335D
34	Roller	3495
35	Yoke	391
36	Hook with Ring	324D
37	Yoke Assembly with #36 Hook and Quick Disconnect Shaft	399 399D
38	Handle Body	RLB-1-1
39	Retainer	51
40	Spring	MA-311
41	Pawl Rod	RLB-4-1
42	Pawl Ring	RLB-31
43	Rollpin	H-5249
44	Handle Body with Pawl	RLB-908