

GFNT2-HGR

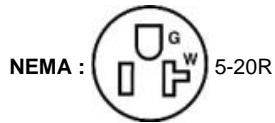
20 Amp SmartlockPro® GFCI Receptacle/Outlet, Hospital Grade

Self-Test SmartlockPro GFCI Duplex Receptacle Outlet, Extra Heavy-Duty Hospital Grade, Wallplate Included, Power Indication, 20 Amp, 125 Volt, Back and Side Wire, NEMA 5-20R, 2-Pole, 3-Wire, Self-Grounding - Red



UPC Code : 078477725115

Country Of Origin : China



Available Colors :



Black



Brown



Gray



Ivory



Light Almond



White

Technical Information

AC Horsepower Ratings

At Rated Voltage : 1 HP

Electrical Specifications

Amperage : 20 A

Grounding : Self-Grounding

Pole : 2

Short Circuit Current Rating : 10kA

Voltage : 125 VAC

Wire : 3

Environmental Specifications

Flammability : Rated V-0 per UL 94

Operating Temperature : -35C to +66C

Material Specifications

Body Material : Polycarbonate

Face Material : PBT

Ground Clips : Brass

Grounding Screw : Plated Steel

Line Contacts : Brass

Strap Material : Galvanized Steel

Terminal Clamp : Brass

Terminal Screws : Plated Steel

Mechanical Specifications

Product ID : Ratings are permanently marked on device

Screw Terminal Torque : 14-18 in-lbs

Terminal Accom. : 14-10 AWG solid or stranded

Terminal ID : Brass-Hot, Green-Ground, Silver-Neutral

Termination : Back and Side Wire

Product Features

Brand : SmartlockPro

Color : Red

Device Type : Duplex Receptacle Outlet

Feature : Wallplate Included, Power Indication, Self-Test

Function : GFCI

Grade : Extra Heavy-Duty Hospital Grade

NEMA : 5-20R

Standards and Certifications

ANSI : C-73

Applicable Standards : UL 943, UL 498, CSA C22.2 No. 42 & 144, FedSpec W-C-596

Certification/Listing : UL, CSA, NOM-ANCE

NEMA : WD-1 & WD-6

Warranty

Warranty : 2-Year Limited

Patents*

CA2358721

MX315596

CA2425810

US7697252

CA2427366

US7737809

CA2515035

US8004804

CA2865659

US8547126

MX251584

US8587914

MX269232

US8599522

MX276626

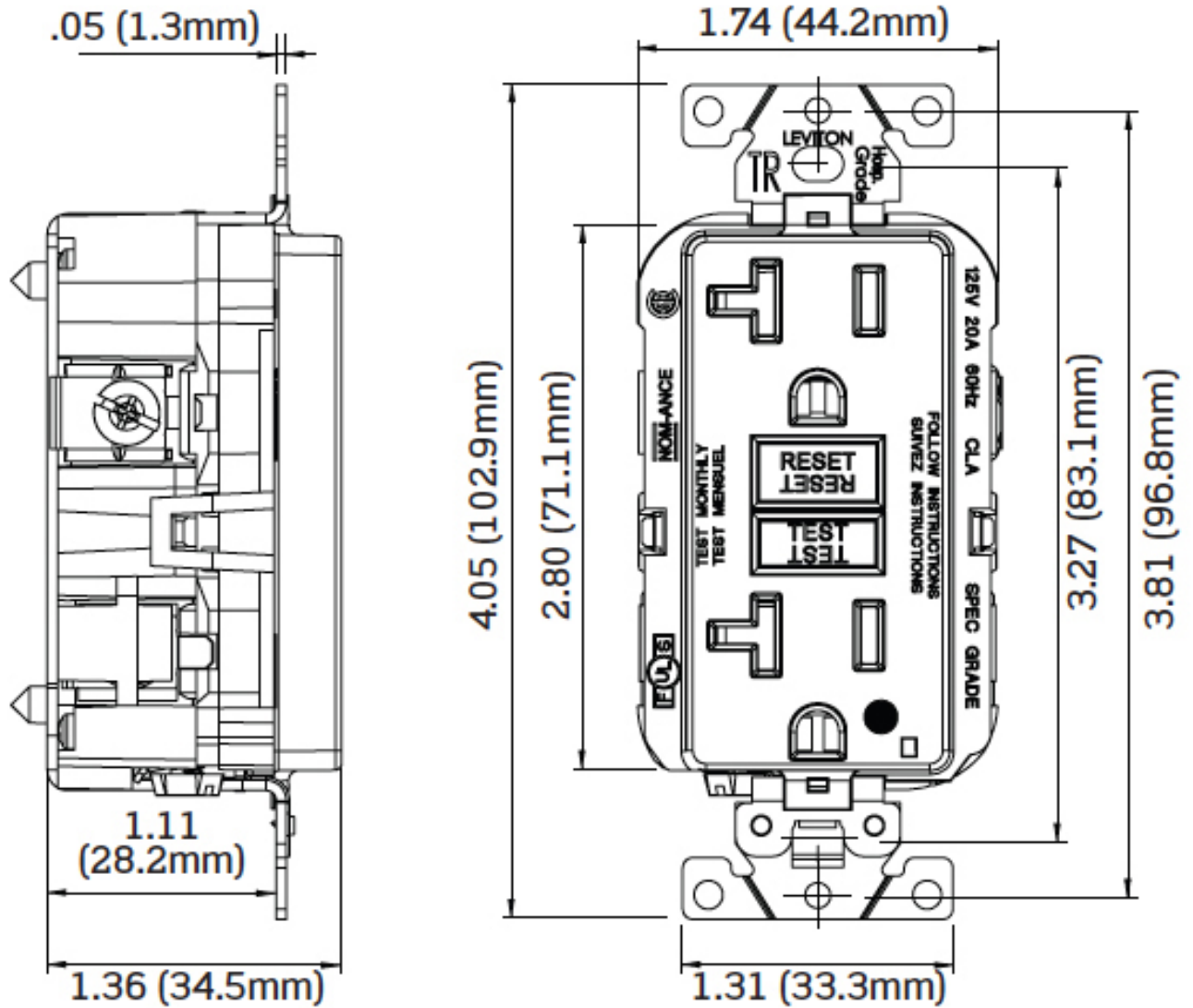
US9053886

MX302458

US9077091

MX308495

*This list is provided for patent marking purposes only. A good faith effort is made to maintain the accuracy and completeness of this list. No legal inference should be drawn from the omission of a patent from this list.



SPECIFICATION SUBMITTAL

JOB NAME:	CATALOG NUMBERS:	
<input type="text"/>	<input type="text"/>	<input type="text"/>
JOB NUMBER:	<input type="text"/>	<input type="text"/>

Leviton Manufacturing Co., Inc.

201 North Service Road, Melville, NY 11747

Telephone: +1-800-323-8920 · FAX: +1-800-832-9538 · Tech Line (8:30AM-7:30PM E.S.T. Monday-Friday): +1-800-824-3005

Leviton Manufacturing of Canada, Ltd.

165 Hymus Boulevard, Pointe Claire, Quebec H9R 1E9 · Telephone: +1-800-469-7890 ·

FAX: +1-800-824-3005 · www.leviton.com/canada

Leviton S. de R.L. de C.V.

Lago Tana 43, Mexico DF, Mexico CP 11290 · Tel.: (+52)55-5082-1040 · FAX: (+52)5386-1797 · www.leviton.com.mx

Visit our Website at: www.leviton.com

© 2023 Leviton Manufacturing Co., Inc. All Rights Reserved. Subject to change without notice.

Leviton has a global presence.

If you would like to know where your local Leviton office is located please go to: www.leviton.com/international/contacts/