



UPC Code : 078477267806

Country Of Origin : China

8681

Mogul-Medium Base, One-Piece, Adapters and Extensions, Incandescent, Glazed Porcelain Lampholder, , To Be Used in Porcelain Sockets Only - White

Technical Information

Product Features

Application : To Be Used in Porcelain Sockets Only

Availability : Distribution

Color : White

Construction : One-Piece

Lamp Base : Mogul-Medium

Lamp Socket Base : Mogul-Medium

Lampholder Type : Socket Adapters and Extensions

Light Type : Incandescent

Screw Shell Material : Aluminum

Shell Material : Aluminum

Standards and Certifications : UL/CSA

Voltage : 250 Volt

Warranty : 1 Year Limited

Wattage Rating : 660W

Material Specifications

Availability : Distribution

Color : White

Screw Shell Material : Aluminum

Shell Material : Aluminum

Mechanical Specifications

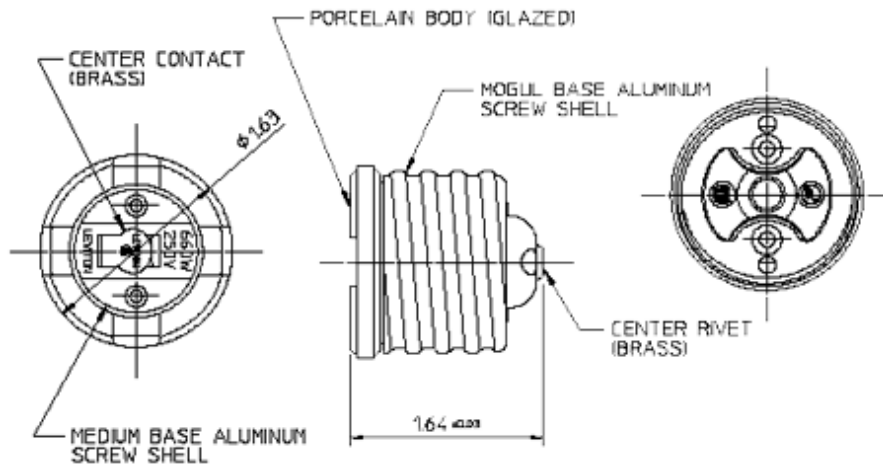
Construction : One-Piece

Lamp Socket Base : Mogul-Medium

Standards and Certifications

CSA Certified : File LR-1863

UL Listed : File E13396



SPECIFICATION SUBMITTAL

JOB NAME:	CATALOG NUMBERS:	
<input type="text"/>	<input type="text"/>	<input type="text"/>
JOB NUMBER:	<input type="text"/>	<input type="text"/>

Leviton Manufacturing Co., Inc.

201 North Service Road, Melville, NY 11747

Telephone: +1-800-323-8920 · FAX: +1-800-832-9538 · Tech Line (8:30AM-7:30PM E.S.T. Monday-Friday):
+1-800-824-3005

Leviton Manufacturing of Canada, Ltd.

165 Hymus Boulevard, Pointe Claire, Quebec H9R 1E9 · Telephone: +1-800-469-7890 ·

FAX: +1-800-824-3005 · www.leviton.com/canada

Leviton S. de R.L. de C.V.

Lago Tana 43, Mexico DF, Mexico CP 11290 · Tel.: (+52)55-5082-1040 · FAX: (+52)5386-

1797 · www.leviton.com.mx

Visit our Website at: www.leviton.com

© 2018 Leviton Manufacturing Co., Inc. All Rights Reserved. Subject to change without notice.

Leviton has a global presence.

If you would like to know where your local Leviton office is located please go to:

www.leviton.com/international/contacts/

