



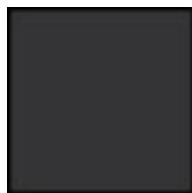
# 2310

## Description

20 Amp, 125 Volt, NEMA L5-20R, 2P, 3W, Flush Mtg Locking Receptacle, Industrial Grade, Grounding, V-0-MAX - Black

## Product Features

**Color:** Black



**NEMA:** L5-20R



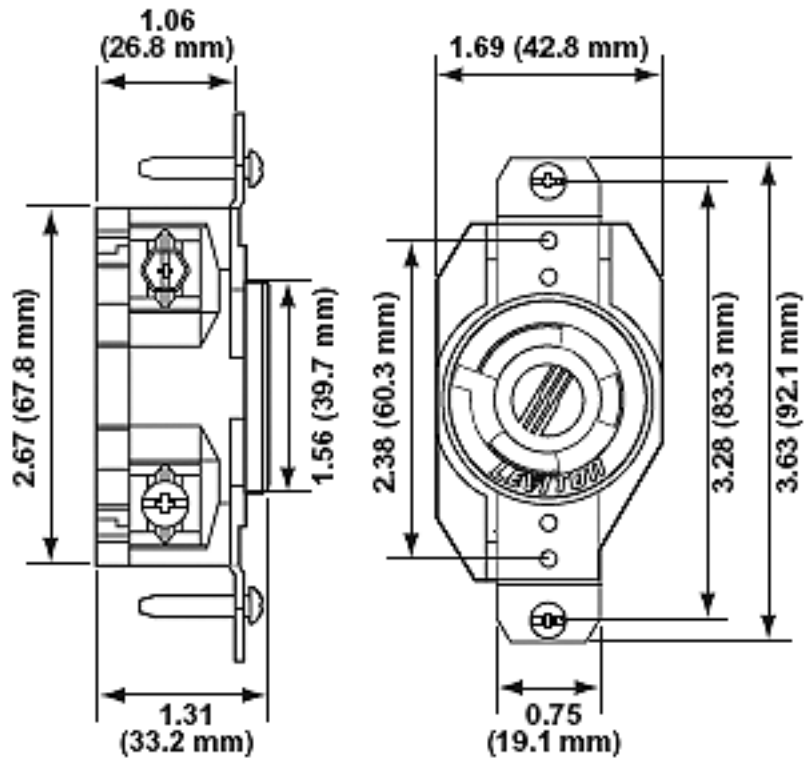
Grounding: Grounding  
 Feature: V-0-MAX  
 Amperage: 20 Amp  
 Voltage: 125 Volt  
 NEMA: L5-20R  
 Pole: 2  
 Wire: 3  
 Termination: Back & Side  
 Face Material: Ultramid  
 Base Material: Valox  
 Strap Material: Nickel-Plated Brass  
 Color: Black  
 Standards and Certifications: UL/CSA  
 Warranty: Lifetime Warranty

AC Horsepower Ratings	
At Rated Voltage	1 HP
Environmental Specifications	
Flammability	Rated V-0 per UL94
Operating Temperature	-40C to 60C
Mechanical Specifications	
Terminal ID	Brass-Hot, Green-Ground, White-Neutral
Terminal Accom.	14-8 AWG
Product ID	Ratings and NEMA I.D. permanently marked on device

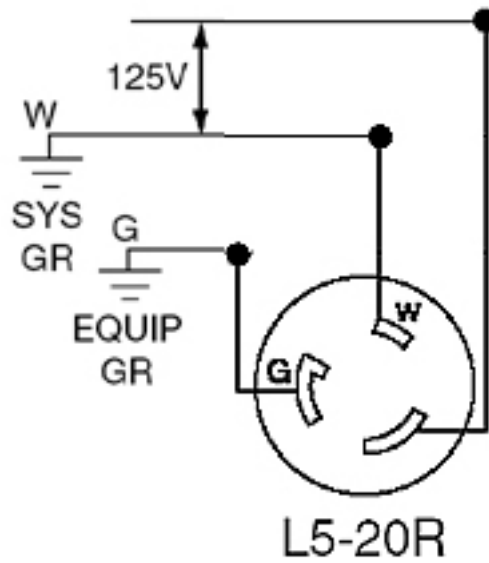
Electrical Specifications	
Dielectric Voltage	Withstands 2000V per UL498
Current Limiting	Full Rated Current
Temperature Rise	Max 30C after 250 cycles OL at 200 percent rated current

Material Specifications	
Face Material	Ultramid
Base Material	Valox
Line Contacts	Brass .040 Thick
Terminal Screws	Brass 10-32
Grounding Screw	Brass 8-32
Yoke	Nickel-Plated Brass .050 Thick

Standards and Certifications	
NEMA	WD-6
ANSI	C-73
UL498	File E13399
UL Fed Spec WC-596	File E13399
CSA C22.2 No. 42	File LR-406
NOM	057



### Wiring Diagram



### SPECIFICATION SUBMITTAL

JOB NAME:	CATALOG NUMBERS:	
<input type="text"/>	<input type="text"/>	<input type="text"/>
JOB NUMBER:	<input type="text"/>	<input type="text"/>

**Leviton Manufacturing Co., Inc.**

59-25 Little Neck Parkway, Little Neck, NY 11362-2591

Telephone: 1-800-323-8920 · FAX: 1-800-832-9538 · Tech Line (8:30AM-7:30PM E.S.T. Monday-Friday): 1-800-824-3005

**Leviton Manufacturing of Canada, Ltd.**

165 Hymus Boulevard, Pointe Claire, Quebec H9R 1E9 · Telephone: 1-800-469-7890 · FAX: 1-800-824-3005

**Leviton S. de R.L. de C.V.**

Lago Tana 43, Mexico DF, Mexico CP 11290 · Tel.: (+52)55-5082-1040 · FAX: (+52)5386-1797 · [www.leviton.com.mx](http://www.leviton.com.mx)

**Visit our Website at: [www.leviton.com](http://www.leviton.com)**

©2007 Leviton Manufacturing Co., Inc. All rights reserved. Subject to change without notice.

