

KT-CWLED44PS-4-8CSA-VDIM

LED WRAP FIXTURE

DESCRIPTION

4ft LED Curved Wrap Fixture | 120-277V Input | Frosted Lens | 0-10V Dimming

APPLICATION

Used for commercial, retail, and residential applications



PRODUCT FEATURES

- Features Keystone Color Select technology. Adjust CCT between 3500K, 4000K, or 5000K
- Features Keystone Power Select technology. Adjust power between 44W, 28W, and 18W
- Powered by Keystone 0 –10V dimming LED drivers with 12V Aux
- Ambient operating temperature: –20°C/– 4°F to 45°C/113°F
- Compatible with Keystone SmartSafe emergency backups
- Luminaire is suitable for installation within a clothes closet storage space
- LED lifetime: L70 >100,000 hours @ 25°C fixture ambient
- Low optical flicker
- THD: < 20%
- Power factor > 0.95

PERFORMANCE SPECIFICATIONS

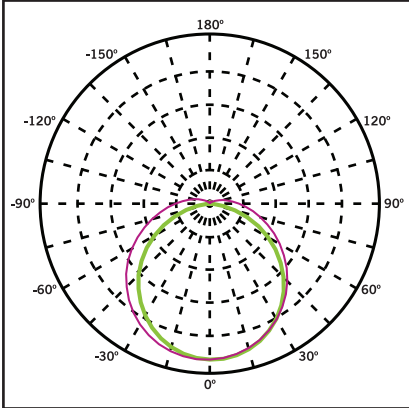
Catalog Number	Input Voltage	Wattage	Color Temperature	Lumen Output	Efficacy	CRI	Power Factor	Lifetime
KT-CWLED44PS-4-8CSA-VDIM	120–277V	44W	3500K	5,984	136 lm/W	> 80	> 0.90	50,000hrs
			4000K	6,072	138 lm/W			
			5000K	6,116	139 lm/W			
		28W	3500K	4,004	143 lm/W			
			4000K	4,032	144 lm/W			
			5000K	4,060	145 lm/W			
		18W	3500K	2,628	146 lm/W			
			4000K	2,646	147 lm/W			
			5000K	2,664	148 lm/W			

KT-CWLED44PS-4-8CSA-VDIM

LED WRAP FIXTURE

PHOTOMETRIC SPECIFICATIONS

POLAR CANDELA DISTRIBUTION



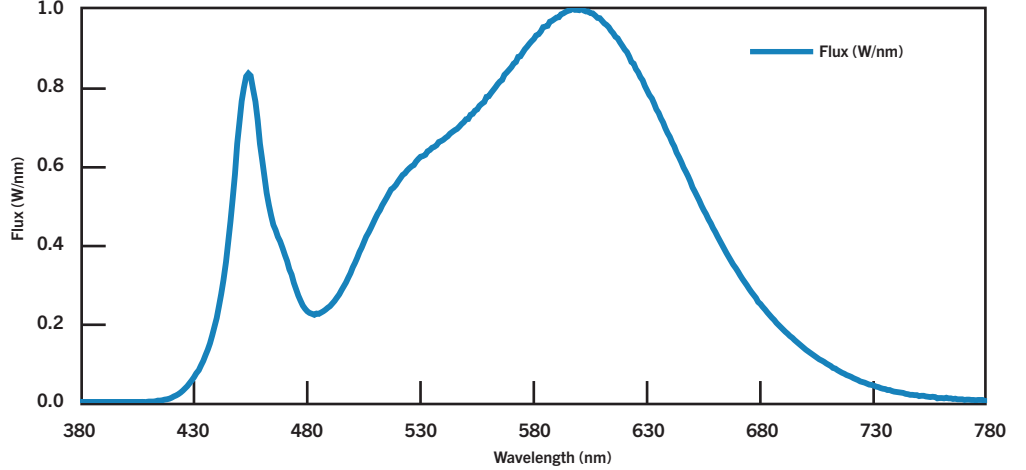
Maximum Candela = 1846.0
Located at Horizontal Angle = 0,
Vertical Angle 0

1. **Violet** Vertical Plane through Horizontal Angles (90-270)
2. **Green** Vertical Plane through Horizontal Angles (0-180)

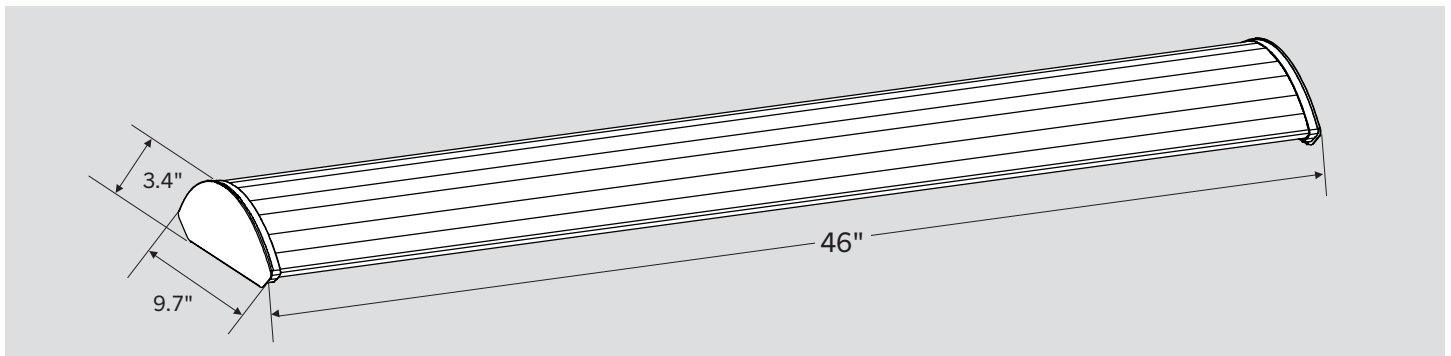
Beam Angle: 220°

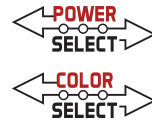
Visible Light Area: 325°

RELATIVE SPECTRAL POWER DISTRIBUTION



PHYSICAL SPECIFICATIONS

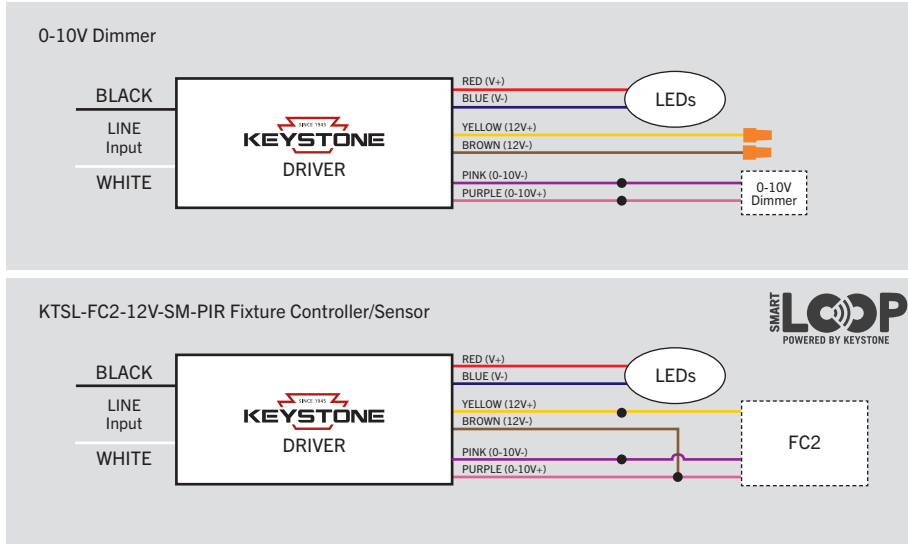




KT-CWLED44PS-4-8CSA-VDIM

LED WRAP FIXTURE

WIRING DIAGRAMS



SENSORS (SOLD SEPARATELY)

ORDER CODE	DESCRIPTION
KTSL-FC2-12V-SM-PIR*	Bluetooth mesh wireless low voltage fixture controller for SmartLoop system with integrated daylight and PIR motion
KTS-MW3-UV-KO-K2	Microwave Sensor Kit, includes 120-277V input to 12V DC convector, 12V input sensor head, Nomex Sleeve, Extension Neck

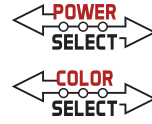
*Requires KT-CWLED-SLB-1 mounting bracket



Fixture installed with KTSL-FC2-12V-SM-PIR and KT-CWLED-SLB-1 bracket

ACCESSORIES (SOLD SEPARATELY)

ORDER CODE	DESCRIPTION
KT-CWLED-TRIM-1	Trim plate for KT-CWLED fixtures. Used to cover up existing holes from larger fixtures. 20in x 52in.
KT-CWLED-SLB-1	Microstrip Bracket for Smart Loop KTSL-FC2-12V-SM-PIR Sensor
KT-EMRG-LED-5C-500	LED Emergency Back-Up, 5W Constant Wattage Design, Approx 500 lumens
KT-EMRG-LED-12C-1200	LED Emergency Back-Up, 12W Constant Wattage Design, Approx 1200 lumens



KT-CWLED44PS-4-8CSA-VDIM

LED WRAP FIXTURE

ORDERING INFORMATION

ORDER CODE	PACK QTY.	EASY CODE	UPC
KT-CWLED44PS-4-8CSA-VDIM	1	JWD-82	843654137292

CATALOG NUMBER BREAKDOWN

KT-CWLED44PS-4-8CSA-VDIM

- 1
- 2
- 3
- 4
- 5
- 6
- 7
- 8
- 9
- 10

- 1 Keystone Technologies
- 2 LED Curved Wrap Fixture
- 3 Wattage
- 4 Power Select
- 5 4' Nominal Length
- 6 800 Series
- 7 Color Select
- 8 Color Select Designation
- 9 0-10V Dimming
- 10 Sensor Options

10 Sensor Options

	No Option
/MW	Microwave Occupancy Sensor Installed
/FC2-PIR	PIR Motion Sensor