

FLEX • AC • MC

Parking Deck & Parking Lot

Features

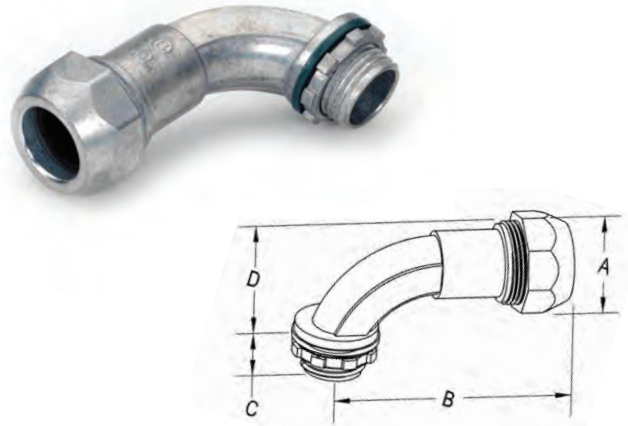
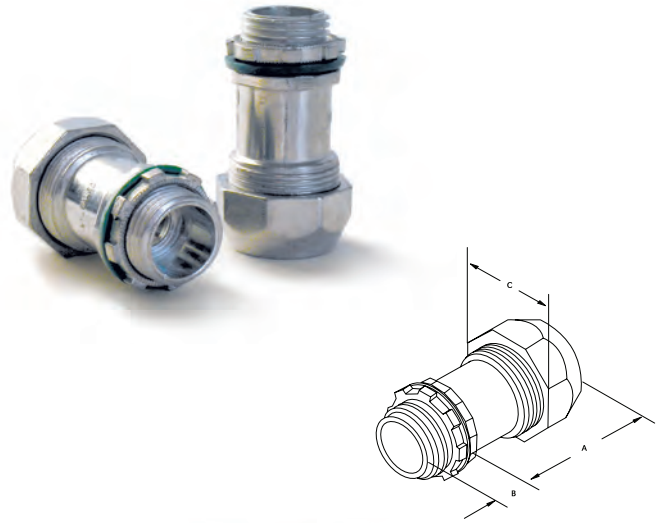
- Designed for use with PVC Jacket MC cable (Parking Deck/Lot Cable™)
- Easy installation starts by stripping back PVC jacket at the end of cable, loosen the nut, slip cable into the connector until cable is fully inserted, then tighten the connector nut
- Tapered Threads
- Zinc die cast with external knockout gasket
- Tapered external NPT threads allow conductors to be installed in threaded boxes
- UL Listed "raintight" & concrete casement ♦
- New 90° connector now available

Applicable Third Party Standards

- UL Standard: 514B
- Federal Specification A-A-50552
- ANSI/NEMA FB-1
- ♦ Not suitable in direct burial (in the ground) applications

Cable Size

- AFC-595-UKON, AFC-595-IKON: .610 Max. Armor & .720 Max. Jacket Fits sizes 12/2 – 10/3
- AFC-596-UKON, AFC-596-IKON: .685 Max. Armor & .800 Max. Jacket Fits sizes 10/4 – 8/3
- AFC895-UKON, AFC895-IKON: .610 Max. Armor & .720 Max. Jacket Fits sizes 12/2 – 10/3



CATALOG NUMBER	TRADE SIZE	DIM A	DIM B	DIM C	INNER PACK	MASTER PACK	WEIGHT PER C
Straight Connectors							
AFC-595-UKON	3/8"	1.750	0.530	1.220	15	60	19.1
AFC-595-IKON	3/8"	1.750	0.530	1.220	15	60	19.1
AFC-596-UKON	1/2"	1.750	0.530	1.220	15	60	19.5
AFC-596-IKON	1/2"	1.750	0.530	1.220	15	60	19.5

CATALOG NUMBER	TRADE SIZE	DIM A	DIM B	DIM C	DIM D	INNER PACK	MASTER PACK	WEIGHT PER C
90° Connectors								
AFC-895-UKON	3/8"	1.310	2.750	0.530	1.250	10	40	30.5
AFC-895-IKON	3/8"	1.310	2.750	0.530	1.250	10	40	30.5