

ENGLISH

INSTRUCTION MANUAL

Dual-Range High-Voltage Non-Contact Tester

Low Range: 50V to 1.5kV AC

High Range: 1.5kV to 132kV AC

HVNCVT1



Español pg. 13

Français pg. 25

KLEIN TOOLS®



For Professionals... Since 1857™

GENERAL SPECIFICATIONS

The Dual-Range High-Voltage Non-Contact Tester (HVNCVT1) checks for the presence of AC voltage without making any disconnection in cables, wall sockets, fuses, circuit breakers, junction boxes, etc. No current flow is needed for correct operation. The tester warns against dangerous voltage from low to high voltage applications up to 132kV without contacting the energized conductor. The low-range setting should be used for detecting 50V AC to 1.5kV AC. It may be used as a hand-held device ONLY when checking for low voltage. The high-range setting should be used for detecting 1.5kV AC to 132kV AC. It should ONLY be used with a hot stick when checking for high voltage.

Always follow approved work safety practices and clearances per OSHA Sub-parts R & V and all company work rules. For Minimum Approach Distances (MAD), see OSHA Tables R-6 and R-7 (pages 8 & 9) in this manual.

- **Operating Temperature:** 32° to 122°F (0° to 50°C) @ 85% relative humidity
- **Storage Temperature:** 14° to 122°F (-10° to 50°C) @ 85% relative humidity
- **Dimensions:** Tester: 13" x 3.15" x 2.64" (330 x 80 x 67mm)
Case: 14" x 8" x 3.5" (356 x 203 x 89 mm)
- **Weight:** 8 oz. (227 g)
- **Power Source:** One 9V battery
- **Power Consumption:** *Off:* Less than 5uA
Low range mode: (50V to 1.5kV AC) Less than 40mA
High range mode: (1.5kV to 132kV AC) Less than 40mA

Specifications subject to change.

SYMBOLS



Warning or Caution



Risk of Electrical Shock



Double Insulated

WARNINGS

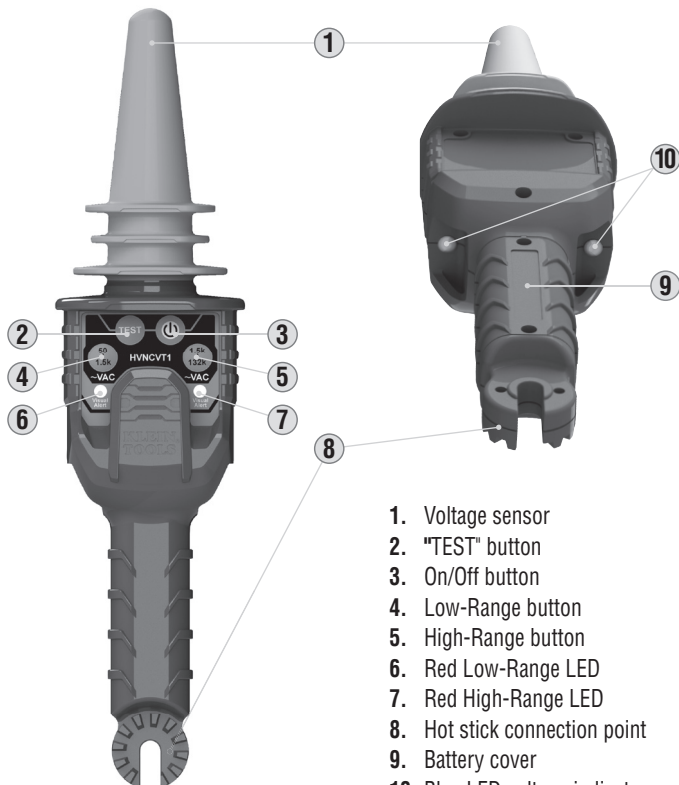
To ensure safe operation and service of the tester, follow these instructions. Failure to observe these warnings can result in severe injury or death.

- Use extreme caution when testing live electrical circuits due to risk of injury from electrical shock.
- When testing for high voltage, always use hot sticks and rubber gloves meeting industry standards.
- Follow approved work safety practices and clearances per OSHA Sub-parts R & V and your company work rules.
- Always test on a known live circuit to verify tester functionality prior to use.
- Do not exceed the limits marked on the instrument itself. Never test voltage more than 132kV AC RMS.
- Never ground yourself when taking measurements. Do not touch exposed circuit elements.
- Observe the proper safety precautions when working with voltage above 30V AC RMS to avoid electrical shock hazard.
- Do not assume equipment or conductors are, or will remain, de-energized. Always install proper grounding devices before starting procedure.
- Do not operate tester in an explosive atmosphere.
- Do not expose tester to rain or moisture. This increases the risk of fire or electric shock.
- Do not rely on this tester for shielded wire or cable with concentric neutrals.
- Do not let the unit make contact with live line voltage. Do not touch any exposed wiring, connections or other energized parts of an electrical circuit.
- 3-phase feeder cables with conductors close to each other may self-cancel the electric field and not be detected by the device. Verify that the phase conductors are separated by at least 15" (381 mm) before testing for AC voltage.

FEATURE DETAILS

Front of Tester

Back of Tester



1. Voltage sensor
2. "TEST" button
3. On/Off button
4. Low-Range button
5. High-Range button
6. Red Low-Range LED
7. Red High-Range LED
8. Hot stick connection point
9. Battery cover
10. Blue LED voltage indicators

OPERATING INSTRUCTIONS

FOR USE BY TRAINED PERSONNEL ONLY

Anyone using this instrument should be knowledgeable and trained about the risks involved with measuring medium and high voltage. They must also understand the importance of taking safety precautions as well as testing the instrument before and after using it to ensure that it is in good working condition.

EXAMPLES OF APPLICATIONS:

- Non-contact detection of live AC voltage
- Finding faults in cables
- Checking and detecting live high voltage cables
- Tracing live wires
- Checking grounding equipment

Fig. 1: Ideal detection angle

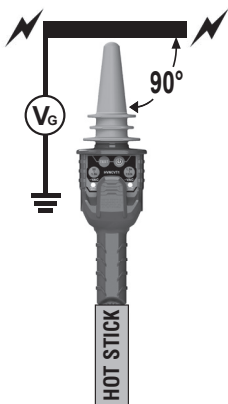


Fig. 2: Finding a cable fault



Fig. 3: Voltage detection for overhead lines



OPERATING INSTRUCTIONS

Prior to use, always inspect the tester for visible signs of damage. If there is any sign of damage, or if the tester does not operate correctly, discontinue use.

Always test on a known live circuit to verify tester functionality. The tester should be used as an indication only.

Tester should be kept clean and dry. If it is not, wipe with a clean, dry lint-free cloth.

MODES OF OPERATION

The HVNCVT1 can operate in two ranges. In low-range mode, the red LED ⑥ below the low-range button ④ will illuminate. In high-range mode, the red LED ⑦ below the high-range button ⑤ will illuminate. See **FEATURE DETAILS** for locations of red LEDs.

ON/OFF BUTTON

Press the on/off button ③ to turn the unit on or off. When the unit is turned on, the two blue LEDs ⑩ will flash and the unit will emit a high-pitched beep sound. See **FEATURE DETAILS** for locations of blue LEDs.

"TEST" BUTTON

Press and hold the TEST button ② to perform a self-test on the unit. Look for a steady blue LED light ⑩ and listen for a steady beep sound. This self-test function **ONLY** confirms battery sufficiency, system integrity, and operation/active mode. Always test on known live circuit to verify tester functionality prior to use. ***If the two blue LEDs do not glow and the beep sound is not present, replace battery.***

LOW-RANGE BUTTON

When the unit is turned on, press the low-range button ④ to switch the unit to the low-range setting. Look for a steady red LED ⑥ below the low-range button. Also look for the two blue LEDs ⑩ to blink and listen for a beep sound.

The Low range is 50V AC to 1.5kV AC.

Place the probe tip of the tester ① near a low voltage source, but not touching it. Look for the blue LEDs ⑩ to blink quickly and listen for a quickened beep sound when voltage is present. As the probe tip gets closer to the voltage source, the blue LEDs and beep sound will be constant. See Fig. 1 on page 5 for ideal detection angle. Always

OPERATING INSTRUCTIONS

maintain the minimum approach distances listed in OSHA Tables R-6 and R-7 on pages 8 & 9 in this manual.

HIGH-RANGE BUTTON

Before using the unit in High range, hot stick must be attached. Only use with hot sticks and rubber gloves meeting industry standards. Always follow approved work safety practices and clearances per OSHA Sub-parts R & V and all company work rules.

When the unit is turned on, press the high-range button **5** to switch the unit to the high-range setting. Look for a steady red LED **7** below the high-range button. Also look for the two blue LEDs **10** to blink and listen for a beep sound.

The High range is 1.5kV AC to 132kV AC.

Place the probe tip of the tester **1** near a high voltage source, but not touching it. Look for the blue LEDs **10** to blink quickly and listen for a quickened beep sound when voltage is present. As the probe tip gets closer to the voltage source, the blue LEDs and beep sound will be constant. See Fig. 1 on page 5 for ideal detection angle. Always maintain the minimum approach distances listed in OSHA Tables R-6 and R-7 on pages 8 & 9 in this manual.

FINDING FAULTS IN CABLE

The tester may be used for finding faults in some flexible cables. Press the appropriate button for low-range **4** or high-range **5** according to the voltage of the energized cable being detected. Move the tester along (but not touching) the cable, listening for the rapid beeping or steady sound and looking for the rapid blinking or steady light from the blue LEDs **10**. When the fault is reached, the unit will no longer beep or blink. See Fig. 2 on page 5. Always maintain the minimum approach distances listed in OSHA Tables R-6 and R-7 on pages 8 & 9 in this manual.

OPERATING INSTRUCTIONS

Always follow approved work safety practices and clearances per OSHA Sub-parts R & V and all company work rules. For Minimum Approach Distances (MAD), see OSHA Tables R-6 and R-7 below.

**TABLE R-6 – ALTERNATIVE MINIMUM APPROACH DISTANCES
FOR VOLTAGES OF 72.5 kV AND LESS¹**

| Nominal voltage (kV) phase-to-phase | Distance | | | |
|--|--------------------------|---------------|-------------------------|---------------|
| | Phase-to-ground exposure | | Phase-to-phase exposure | |
| | ft. | m | ft. | m |
| 0.050 to 0.300² | Avoid Contact | Avoid Contact | Avoid Contact | Avoid Contact |
| 0.301 to 0.750² | 1.09 | 0.33 | 1.09 | 0.33 |
| 0.751 to 5.0 | 2.07 | 0.63 | 2.07 | 0.63 |
| 5.1 to 15.0 | 2.14 | 0.65 | 2.24 | 0.68 |
| 15.1 to 36.0 | 2.53 | 0.77 | 2.92 | 0.89 |
| 36.1 to 46.0 | 2.76 | 0.84 | 3.22 | 0.98 |
| 46.1 to 72.5 | 3.29 | 1.00 | 3.94 | 1.20 |

¹ Employers may use the minimum approach distances in this table provided the worksite is at an elevation of 3,000 feet (900 meters) or less. If employees will be working at elevations greater than 3,000 feet (900 meters) above mean sea level, the employer shall determine minimum approach distances by multiplying the distances in this table by the correction factor in OSHA's Table R-5 Altitude Correction Factor, corresponding to the altitude of the work.

² For single-phase systems, use voltage-to-ground.

OPERATING INSTRUCTIONS

**TABLE R-7-ALTERNATIVE MINIMUM APPROACH DISTANCES
FOR VOLTAGES OF MORE THAN 72.5 kV^{1 2 3}**

| Nominal voltage (kV) phase-to-phase | Distance | | | |
|--|--------------------------|------|-------------------------|-------|
| | Phase-to-ground exposure | | Phase-to-phase exposure | |
| | ft. | m | ft. | m |
| 72.6 to 121.0 | 3.71 | 1.13 | 4.66 | 1.42 |
| 121.1 to 145.0 | 4.27 | 1.30 | 5.38 | 1.64 |
| 145.1 to 169.0 | 4.79 | 1.46 | 6.36 | 1.94 |
| 169.1 to 242.0 | 6.59 | 2.01 | 10.10 | 3.08 |
| 242.1 to 362.0 | 11.19 | 3.41 | 18.11 | 5.52 |
| 362.1 to 420.0 | 13.94 | 4.25 | 22.34 | 6.81 |
| 420.1 to 550.0 | 16.63 | 5.07 | 27.03 | 8.24 |
| 550.1 to 800.0 | 22.57 | 6.88 | 37.34 | 11.38 |

¹ Employers may use the minimum approach distances in this table provided the worksite is at an elevation of 3,000 feet (900 meters) or less. If employees will be working at elevations greater than 3,000 feet (900 meters) above mean sea level, the employer shall determine minimum approach distances by multiplying the distances in this table by the correction factor in OSHA's Table R-5 Altitude Correction Factor, corresponding to the altitude of the work.

² Employers may use the phase-to-phase minimum approach distances in this table provided that no insulated tool spans the gap and no large conductive object is in the gap.

³ The clear live-line tool distance shall equal or exceed the values for the indicated voltage ranges.

OPERATING INSTRUCTIONS

PROTECTIVE CLOTHING AND PERSONAL PROTECTIVE EQUIPMENT (PPE)

TABLE 130.7 (C) (16) FROM NFPA 70E 2015

Note below that this new PPE category table no longer references a category 0.

| PPE Category* | Clothing | Min. APTV Rating Cal/cm ² | Required Garments | Required Protective Equipment |
|---------------|--|--------------------------------------|--|--|
| 1 | Arc-rated clothing ¹ and PPE | 4 | Long-sleeve shirt and pants or coverall. Flash suit hood or face shield ² . Jacket, parka, rainwear or hard hat liner (AN). | Hard hat. Safety glasses or safety goggles (SR). Hearing protection (ear canal inserts). Heavy duty leather gloves ³ . Leather footwear (AN). |
| 2 | Arc-rated clothing ¹ and PPE | 8 | Long-sleeve shirt and pants or coverall. Flash suit hood or face shield ² and balaclava. Jacket, parka, rainwear or hard hat liner (AN). | Hard hat. Safety glasses or safety goggles (SR). Hearing protection (ear canal inserts). Heavy duty leather gloves ³ . Leather footwear (AN). |
| 3 | Arc-rated clothing system ¹ and PPE | 25 | Long sleeve shirt (AR). Pants (AR). Coverall (AR). Flash suit jacket (AR). Flash suit pants (AR). Flash suit hood. Gloves ¹ . Jacket, parka, rainwear or hard hat liner (AN). | Hard hat. Safety glasses or safety goggles (SR). Hearing protection (ear canal inserts). Leather footwear (AN). |
| 4 | Arc-rated clothing system ³ and PPE | 40 | Long sleeve shirt (AR). Pants (AR). Coverall (AR). Flash suit jacket (AR). Flash suit pants (AR). Flash suit hood. Gloves ¹ . Jacket, parka, rainwear or hard hat liner (AN). | Hard hat. Safety glasses or safety goggles (SR). Hearing protection (ear canal inserts). Leather footwear (AN). |

AN = as needed (optional) AR = as required SR = selection required

* One of the 3 basic methods is used to determine an HRC for a job task.

¹ Arc rating is defined in article 100 NFPA 70E 2015 Edition.

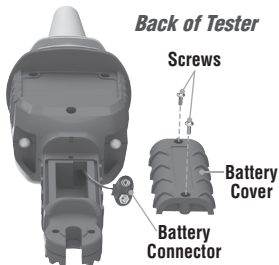
² Face shields are to have wrap-around guarding to protect not only the face but also the forehead, ears and neck, or alternatively, an arc-rated flash suit hood is required to be worn.

³ If rubber insulating gloves with leather protectors are used, additional leather or arc-rated gloves are not required. The combination of rubber insulating gloves with leather protectors satisfies the arc flash protection requirement.

MAINTENANCE

BATTERY REPLACEMENT

1. Unscrew the battery cover on the rear and lift the battery cover off the tester.
2. Remove old battery.
3. Replace with a new battery (9V).
4. Reinstall the battery cover and fasten the cover screws.



CLEANING

Be sure tester is turned off and wipe with a clean, dry lint-free cloth. **Do not use abrasive cleaners or solvents.**

STORAGE

If the tester is not to be used for periods of longer than 60 days, remove the battery and store separately from the tester.

WARRANTY

www.kleintools.com/warranty

DISPOSAL / RECYCLE



Do not place equipment and its accessories in the trash. Items must be properly disposed of in accordance with local regulations.

Please see www.epa.gov or www.ecycle.org for additional information.

CUSTOMER SERVICE

KLEIN TOOLS, INC.

450 Bond Street
Lincolnshire, IL 60069 USA

hisupport@kleintools.com
www.kleintools.com



For Professionals... Since 1857™

KLEIN TOOLS, INC. 450 Bond Street Lincolnshire, IL 60069 USA
hisupport@kleintools.com **www.kleintools.com**

ESPAÑOL

HVNCVT1

MANUAL DE INSTRUCCIONES

**Probador de alto voltaje
sin contacto de doble rango**

Rango bajo: 50 V a 1,5 kV CA

Rango alto: 1,5 kV a 132 kV CA



KLEIN TOOLS 

For Professionals... Since 1857™

ESPECIFICACIONES GENERALES

El probador de alto voltaje sin contacto de doble rango (HVNCVT1) verifica la presencia de voltaje de CA sin necesidad de desconectar cables, tomas de pared, fusibles, cortacircuitos, cajas de conexiones, etc. Tampoco es necesario que haya flujo de corriente para que funcione correctamente. El probador advierte sobre la presencia de voltaje peligroso en aplicaciones de bajo a alto voltaje de hasta 132 kV sin necesidad de hacer contacto con el conductor energizado. El ajuste bajo se debe utilizar para detectar entre 50 V CA y 1,5 kV CA. El probador se puede usar como dispositivo portátil SOLAMENTE para detectar bajo voltaje. El ajuste alto se debe utilizar para detectar entre 1,5 kV CA y 132 kV CA. El probador SOLO se debe utilizar con pértigas de trabajo en línea viva cuando se desea detectar alto voltaje.

Siempre respete las prácticas y distancias de trabajo seguro estipuladas en las Subpartes R y V de la OSHA, además de todas las reglas de trabajo de la empresa. Para conocer las distancias mínimas de proximidad, consulte las Tablas R-6 y R-7 de la OSHA (páginas 20 y 21) en este manual.

- **Temperatura de operación:** 32 °F a 122 °F (0 °C a 50 °C) a 85 % de humedad relativa
- **Temperatura de almacenamiento:** 14 °F a 122 °F (-10 °C a 50 °C) a 85 % de humedad relativa
- **Dimensiones:** Probador: 13" x 3,15" x 2,64" (330 mm x 80 mm x 67 mm)
Estuche: 14" x 8" x 3,5" (356 mm x 203 mm x 89 mm)
- **Peso:** 8 oz (227 g)
- **Fuente de energía:** Una batería de 9 V
- **Consumo de energía:** *Apagado:* menos de 5 uA
Modo de rango bajo: (50 V a 1,5 kV CA) menos de 40 mA
Modo de rango alto: (1,5 kV a 132 kV CA) menos de 40 mA

Especificaciones sujetas a cambios.

SÍMBOLOS



Advertencia o precaución



Riesgo de choque eléctrico



Doble aislamiento

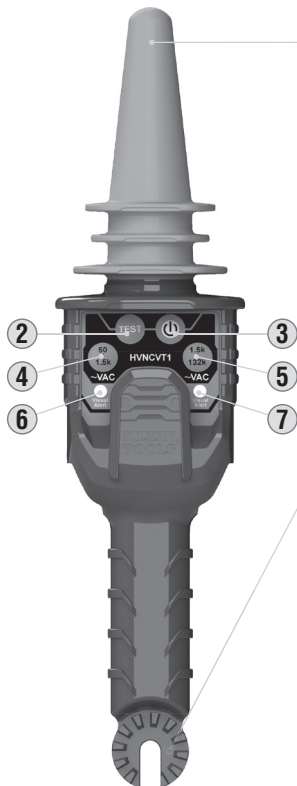
ADVERTENCIAS

Para garantizar un funcionamiento y servicio seguros del probador, siga estas instrucciones. El incumplimiento de estas advertencias puede provocar lesiones graves o la muerte.

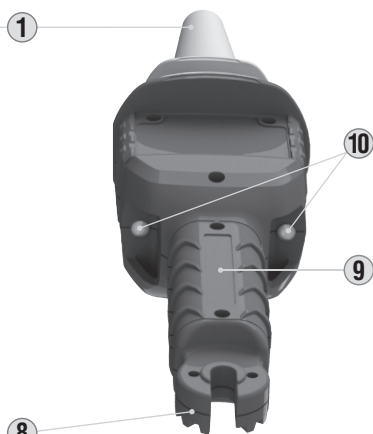
- Tenga mucho cuidado cuando trabaje con circuitos eléctricos activos porque podría sufrir lesiones por choque eléctrico.
- Al realizar pruebas con alto voltaje, siempre use pértigas de trabajo en línea viva y guantes de goma que cumplan con las normas de la industria.
- Respete las prácticas y distancias de trabajo seguro estipuladas en las Subpartes R y V de la OSHA, además de todas las reglas de trabajo de la empresa.
- Siempre realice pruebas en un circuito activo para verificar que el probador funciona antes de usarlo.
- No supere los límites que se indican en el instrumento. Nunca realice pruebas de voltaje de más de 132 kV CA RMS.
- Al efectuar mediciones, no permita que su cuerpo quede conectado a tierra o a masa. No toque elementos de circuitos expuestos.
- Cumpla con las medidas de seguridad pertinentes si trabaja con voltajes superiores a 30 V CA RMS para evitar riesgos de choque eléctrico.
- No suponga que los equipos o conductores están o permanecerán desenergizados. Siempre instale dispositivos de puesta a tierra adecuados antes de iniciar el procedimiento.
- No haga funcionar el probador en una atmósfera explosiva.
- No exponga el probador a la lluvia ni a la humedad. Esto aumenta el riesgo de incendio o choque eléctrico.
- Este probador no es seguro para utilizar con cable blindado o cable neutro concéntrico.
- No permita que la unidad entre en contacto con el voltaje de líneas vivas. No toque ningún cable, conexión o pieza energizada expuesta de un circuito eléctrico.
- Los cables de alimentación trifásicos que poseen conductores en mutua proximidad pueden autoanular el campo eléctrico y no ser detectados por el dispositivo. Verifique que los conductores de fase tengan una separación mínima de 15" (381 mm) antes de realizar la prueba de voltaje de CA.

DETALLES DE LAS CARACTERÍSTICAS

Parte frontal del probador



Parte posterior del probador



1. Sensor de voltaje
2. Botón TEST (PROBAR)
3. Botón de encendido y apagado
4. Botón de Rango Bajo
5. Botón de Rango Alto
6. LED rojo de Rango Bajo
7. LED rojo de Rango Alto
8. Punto de conexión de la pértiga de trabajo en línea viva
9. Cubierta del compartimento de la batería
10. LED azules indicadores de voltaje

INSTRUCCIONES DE OPERACIÓN

SOLO PARA USO POR PARTE DE PERSONAL CAPACITADO

Todas las personas que utilicen este instrumento deben estar informadas y capacitadas respecto de los riesgos que supone medir voltajes de medio y alto rango. También deben comprender la importancia de tomar medidas de seguridad y de probar el instrumento antes y después de usarlo para asegurarse de que está en buenas condiciones de funcionamiento.

EJEMPLOS DE USO:

- Detección sin contacto de voltaje de CA activo
- Búsqueda de fallas en cables
- Verificación y detección de cables de circuito vivo con alto voltaje
- Rastreo de cables con corriente
- Verificación de equipos de puesta a tierra

Fig. 1: Ángulo óptimo de detección

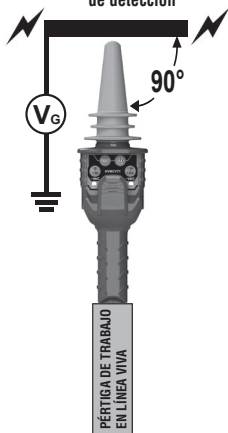


Fig. 2: Búsqueda de una falla en el cable

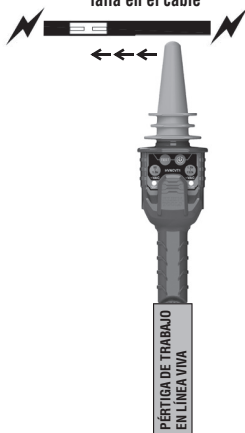


Fig. 3: Detección de voltaje en líneas aéreas



INSTRUCCIONES DE OPERACIÓN

Antes de cada uso, verifique que el probador no presente signos de daño visibles. Si el probador está dañado o no funciona correctamente, discontinúe su uso.

Siempre realice una prueba en un circuito activo para verificar que el probador funciona. El probador debe utilizarse como indicador solamente.

El probador siempre debe estar limpio y seco. De lo contrario, límpielo con un paño limpio, seco que no deje pelusas.

MODOS DE FUNCIONAMIENTO

El probador HVNCVT1 puede funcionar en dos rangos. En el modo de rango bajo, se enciende el LED rojo ⑥ ubicado debajo del botón de rango bajo ④. En el modo de rango alto, se enciende el LED rojo ⑦ ubicado debajo del botón de rango alto ⑤. Consulte la sección **DETALLES DE LAS CARACTERÍSTICAS** para conocer las ubicaciones de los LED rojos.

BOTÓN DE ENCENDIDO Y APAGADO

Presione el botón de encendido y apagado ③ para encender o apagar la unidad. Cuando la unidad se enciende, los dos LED azules ⑩ parpadean y se oye un indicador sonoro de alta frecuencia. Consulte la sección **DETALLES DE LAS CARACTERÍSTICAS** para conocer la ubicación de los LED azules.

BOTÓN "TEST" (PROBAR)

Mantenga presionado el botón TEST ② (PROBAR) para realizar una autoprueba en la unidad. Observe una luz LED azul ⑩ fijo y escuche el indicador sonoro constante. Esta función de autoprueba SOLO confirma la carga suficiente de la batería, la integridad del sistema y el modo de funcionamiento/activo. Siempre realice pruebas en circuitos activos para verificar que el probador funciona antes de usarlo. ***Si los dos LED azules no se encienden y el indicador sonoro no suena, reemplace la batería.***

BOTÓN DE RANGO BAJO

Cuando la unidad se encienda, presione el botón de rango bajo ④ para cambiar la configuración de la unidad al modo de rango bajo. Busque un LED rojo ⑥ fijo debajo del botón de rango bajo. También observe los dos LED azules ⑩ parpadeantes y escuche el indicador sonoro.

El rango bajo es de 50 V CA a 1,5 kV CA.

INSTRUCCIONES DE OPERACIÓN

Ubique la punta de la sonda del probador **1** cerca de una fuente de bajo voltaje, pero no la toque. Observe si los LED azules **10** parpadean rápidamente y si se oye un indicador sonoro más rápido cada vez que la sonda detecta voltaje. A medida que la punta de la sonda se acerca a la fuente de voltaje, los LED azules y el indicador sonoro se vuelven constantes. Consulte la Fig. 1 de la página 17 para conocer el ángulo óptimo de detección. Siempre mantenga la distancia mínima de proximidad especificada en las Tablas R-6 y R-7 de la OSHA, que se encuentran en las páginas 20 y 21 de este manual.

BOTÓN DE RANGO ALTO

Antes de usar la unidad en el rango alto, es necesario conectar una pértiga de trabajo en línea viva. Solamente utilice el probador con pértigas de trabajo en línea viva y guantes de goma que cumplan con las normas de la industria. Siempre respete las prácticas y distancias de trabajo seguro estipuladas en las Subpartes R y V de la OSHA, además de todas las reglas de trabajo de la empresa.

Cuando la unidad se encienda, presione el botón de rango alto **5** para cambiar la configuración de la unidad al modo de rango alto. Busque un LED rojo **7** fijo debajo del botón de rango alto. También observe los dos LED azules **10** parpadeantes y escuche el indicador sonoro.

El rango alto es de 1,5 kV CA a 132 kV CA.

Ubique la punta de la sonda del probador **1** cerca de una fuente de alto voltaje, pero no la toque. Observe si los LED azules **10** parpadean rápidamente y si se oye un indicador sonoro más rápido cada vez que la sonda detecta voltaje. A medida que la punta de la sonda se acerca a la fuente de voltaje, los LED azules y el indicador sonoro se vuelven constantes. Consulte la Fig. 1 de la página 17 para conocer el ángulo óptimo de detección. Siempre mantenga la distancia mínima de proximidad especificada en las Tablas R-6 y R-7 de la OSHA, que se encuentran en las páginas 20 y 21 de este manual.

BÚSQUEDA DE FALLAS EN CABLES

El probador puede utilizarse para buscar fallas en algunos cables flexibles. Presione el botón correspondiente al rango bajo **4** o alto **5** según el voltaje del cable energizado que se pretende detectar. Mueva el probador a lo largo del cable (sin tocarlo), y observe si oye un indicador sonoro rápido o constante y si ve las luces LED azules **10** fijas o que parpadean rápidamente. Al llegar al lugar de la falla, la unidad deja de sonar y las luces dejan de parpadear. Consulte la Fig. 2 en la página 17. Siempre mantenga la distancia mínima de proximidad especificada en las Tablas R-6 y R-7 de la OSHA, que se encuentran en las páginas 20 y 21 de este manual.

INSTRUCCIONES DE OPERACIÓN

Siempre respete las prácticas y distancias de trabajo seguro estipuladas en las Subpartes R y V de la OSHA, además de todas las reglas de trabajo de la empresa. Para conocer las distancias mínimas de proximidad, consulte las Tablas R-6 y R-7 de la OSHA a continuación.

TABLA R-6: DISTANCIAS MÍNIMAS DE PROXIMIDAD ALTERNATIVAS PARA VOLTAJES IGUALES O MENORES QUE 72,5 kV¹

| Voltaje nominal (kV) entre fases | Distancia | | | |
|-------------------------------------|--------------------------------|--------------------|------------------------|--------------------|
| | Exposición entre fase y tierra | | Exposición entre fases | |
| | pies | m | pies | m |
| 0,50 a 0,300² | Evitar el contacto | Evitar el contacto | Evitar el contacto | Evitar el contacto |
| 0,301 a 0,750² | 1,09 | 0,33 | 1,09 | 0,33 |
| 0,751 a 5,0 | 2,07 | 0,63 | 2,07 | 0,63 |
| 5,1 a 15,0 | 2,14 | 0,65 | 2,24 | 0,68 |
| 15,1 a 36,0 | 2,53 | 0,77 | 2,92 | 0,89 |
| 36,1 a 46,0 | 2,76 | 0,84 | 3,22 | 0,98 |
| 46,1 a 72,5 | 3,29 | 1,00 | 3,94 | 1,20 |

¹ Los empleadores pueden utilizar las distancias mínimas de proximidad especificadas en esta tabla siempre que el lugar de trabajo se encuentre a una altura de 3.000 pies (900 metros) o menos. En caso de que los empleados deban trabajar a una altura mayor que 3.000 pies (900 metros) sobre el nivel medio del mar, el empleador deberá determinar las distancias mínimas de proximidad multiplicando las distancias especificadas en esta tabla por el factor de corrección de la Tabla R-5: Factor de corrección de altura de la OSHA, que corresponda a la altura de trabajo.

² Para sistemas monofásicos, use voltaje a tierra.

INSTRUCCIONES DE OPERACIÓN

TABLA R-7: DISTANCIAS MÍNIMAS DE PROXIMIDAD ALTERNATIVAS PARA VOLTAJES MAYORES QUE 72,5 kV ^{1 2 3}

| Voltaje nominal (kV) entre fases | Distancia | | | |
|-------------------------------------|--------------------------------|------|------------------------|-------|
| | Exposición entre fase y tierra | | Exposición entre fases | |
| | pies | m | pies | m |
| 72,6 a 121,0 | 3,71 | 1,13 | 4,66 | 1,42 |
| 121,1 a 145,0 | 4,27 | 1,30 | 5,38 | 1,64 |
| 145,1 a 169,0 | 4,79 | 1,46 | 6,36 | 1,94 |
| 169,1 a 242,0 | 6,59 | 2,01 | 10,10 | 3,08 |
| 242,1 a 362,0 | 11,19 | 3,41 | 18,11 | 5,52 |
| 362,1 a 420,0 | 13,94 | 4,25 | 22,34 | 6,81 |
| 420,1 a 550,0 | 16,63 | 5,07 | 27,03 | 8,24 |
| 550,1 a 800,0 | 22,57 | 6,88 | 37,34 | 11,38 |

- ¹ Los empleadores pueden utilizar las distancias mínimas de proximidad especificadas en esta tabla siempre que el lugar de trabajo se encuentre a una altura de 3.000 pies (900 metros) o menos. En caso de que los empleados deban trabajar a una altura mayor que 3.000 pies (900 metros) sobre el nivel medio del mar, el empleador deberá determinar las distancias mínimas de proximidad multiplicando las distancias especificadas en esta tabla por el factor de corrección de la Tabla R-5: Factor de corrección de altura de la OSHA, que corresponda a la altura de trabajo.
- ² Los empleadores pueden utilizar las distancias mínimas de proximidad entre fases de esta tabla siempre que no haya una herramienta aislada que amplíe la distancia o un objeto conductor de gran tamaño interpuesto.
- ³ La distancia libre entre la línea viva y la herramienta debe ser igual o mayor que los valores correspondientes a los rangos de voltaje indicados.

INSTRUCCIONES DE OPERACIÓN

VESTIMENTA PROTECTORA Y EQUIPOS DE PROTECCIÓN PERSONAL (PPE)

TABLA 130.7 (C) (16) CORRESPONDIENTE A LA NORMA NFPA 70E 2015

Observe a continuación que esta nueva tabla de categorías de PPE ya no incluye una categoría 0.

| Categoría de PPE* | Vestimenta | Clasificación APTV mín. en cal/cm ² | Prendas obligatorias | Equipo de protección obligatorio |
|-------------------|---|--|--|--|
| 1 | Vestimenta de protección contra arco eléctrico ¹ y PPE | 4 | Camiseta de mangas largas y pantalones u overol. Capucha o protector facial contra arco eléctrico ² . Chaqueta, parka, ropa para la lluvia o forro interior para casco de seguridad tipo cachuca (SN). | Casco de seguridad tipo cachuca. Gafas o anteojos de seguridad (SO). Protección auditiva (tapones de inserción en el canal auditivo). Guantes de cuero de alta resistencia ³ . Calzado de cuero (SN). |
| 2 | Vestimenta de protección contra arco eléctrico ¹ y PPE | 8 | Camiseta de mangas largas y pantalones u overol. Capucha o protector facial contra arco eléctrico ² y pasamontañas. Chaqueta, parka, ropa para la lluvia o forro interior para casco de seguridad tipo cachuca (SN). | Casco de seguridad tipo cachuca. Gafas o anteojos de seguridad (SO). Protección auditiva (tapones de inserción en el canal auditivo). Guantes de cuero de alta resistencia ³ . Calzado de cuero (SN). |
| 3 | Vestimenta con sistema de protección contra arco eléctrico ¹ y PPE | 25 | Camisa de mangas largas (SR). Pantalones (SR). Overol (SR). Chaqueta de protección contra arco eléctrico (SR). Pantalones de protección contra arco eléctrico (SR). Capucha de protección contra arco eléctrico. Guantes ¹ . Chaqueta, parka, ropa para la lluvia o forro interior para casco de seguridad tipo cachuca (SN). | Casco de seguridad tipo cachuca. Gafas o anteojos de seguridad (SO). Protección auditiva (tapones de inserción en el canal auditivo). Calzado de cuero (SN). |
| 4 | Vestimenta con sistema de protección contra arco eléctrico ³ y PPE | 40 | Camisa de mangas largas (SR). Pantalones (SR). Overol (SR). Chaqueta de protección contra arco eléctrico (SR). Pantalones de protección contra arco eléctrico (SR). Capucha de protección contra arco eléctrico. Guantes ¹ . Chaqueta, parka, ropa para la lluvia o forro interior para casco de seguridad tipo cachuca (SN). | Casco de seguridad tipo cachuca. Gafas o anteojos de seguridad (SO). Protección auditiva (tapones de inserción en el canal auditivo). Calzado de cuero (SN). |

SN = según sea necesario (opcional) SR = según se requiera SO = selección obligatoria

* Se emplea uno de los 3 métodos básicos para determinar la categoría de riesgo (HRC) de una tarea.

¹ La clasificación de arco eléctrico se define en el artículo 100 NFPA 70E, Edición 2015.

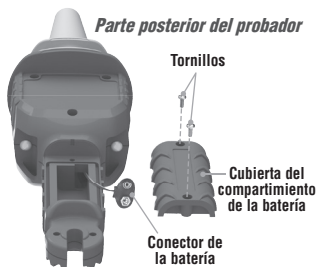
² Los protectores faciales deben tener protección envolvente para resguardar no solo el rostro, sino también la frente, las orejas y el cuello; o bien, se debe usar una capucha de protección contra arco eléctrico.

³ En caso de utilizar guantes de goma aislantes con protectores de cuero, no será necesario emplear otros guantes de cuero o de protección contra arco eléctrico. La combinación de guantes de goma aislantes y protectores de cuero cumple con el requisito de protección contra arco eléctrico.

MANTENIMIENTO

REEMPLAZO DE LA BATERÍA

1. Desenrosque los tornillos de la cubierta del compartimiento de la batería situados en la parte posterior de la unidad y levante la cubierta para retirarla del probador.
2. Retire la batería vieja.
3. Inserte una batería nueva (9 V).
4. Vuelva a colocar la cubierta del compartimento de la batería y ajuste los tornillos.



LIMPIEZA

Asegúrese de que el probador esté apagado y límpielo con un paño limpio, seco que no deje pelusas. **No utilice solventes ni limpiadores abrasivos.**

ALMACENAMIENTO

Si el probador no se utilizará por más de 60 días, retire la batería y guárdela separada del probador.

GARANTÍA

www.kleintools.com/warranty

ELIMINACIÓN/RECICLAJE



No arroje el equipo ni sus accesorios a la basura. Los elementos se deben desechar correctamente de acuerdo con las regulaciones locales.

Para obtener más información, consulte www.epa.gov o www.erecycle.org.

SERVICIO AL CLIENTE

KLEIN TOOLS, INC.
450 Bond Street
Lincolnshire, IL 60069, USA

hisupport@kleintools.com
www.kleintools.com



For Professionals... Since 1857™

KLEIN TOOLS, INC. 450 Bond Street Lincolnshire, IL 60069 USA
hisupport@kleintools.com **www.kleintools.com**

FRANÇAIS

HVNCVT1

MANUEL D'UTILISATION

Testeur de haute tension sans contact à double échelle

Plage de tension basse : 50 V à 1,5 kV c.a.

Plage de tension élevée : 1,5 kV à 132 kV c.a.



**KLEIN
TOOLS**



For Professionals... Since 1857™

CARACTÉRISTIQUES GÉNÉRALES

Le testeur de haute tension sans contact à double échelle (HVNCVT1) vérifie la présence d'une tension c.a. dans les câbles, les prises murales, les fusibles, les disjoncteurs, les boîtes de jonction, etc., sans avoir à débrancher quoi que ce soit. Aucun courant électrique n'est nécessaire pour effectuer une mesure à l'aide du testeur. Le testeur avertit lorsqu'une tension dangereuse est présente dans des applications de basse tension à haute tension, jusqu'à 132 kV, sans qu'il soit nécessaire d'entrer en contact avec un conducteur sous tension. Le réglage de basse tension devrait être utilisé pour détecter des tensions de 50 V c.a. à 1,5 kV c.a. Il peut être utilisé comme appareil portatif UNIQUEMENT lors de la mesure de basses tensions. Le réglage de haute tension devrait être utilisé pour détecter les tensions de 1,5 kV c.a. à 132 kV c.a. Il devrait UNIQUEMENT être utilisé avec une perche isolante lors de la mesure de hautes tensions.

Appliquez toujours les pratiques sécuritaires approuvées et respectez les dégagements conformément à la réglementation OSHA, sous-parties R et V, et à toutes les règles en vigueur dans l'entreprise. Pour connaître les distances d'approche minimales (MAD), consultez les Tableaux OSHA R-6 et R-7 (pages 32 et 33) dans le présent manuel.

- **Température de fonctionnement** : 0 °C à 50 °C (32 °F à 122 °F) à 85 % d'humidité relative
- **Température d'entreposage** : -10 °C à 50 °C (14 °F à 122 °F) à 85 % d'humidité relative
- **Dimensions** : Testeur : 330 x 80 x 67 mm (13 x 3,15 x 2,64 po)
Étui : 356 x 203 x 89 mm (14 x 8 x 3,5 po)
- **Poids** : 227 g (8 oz)
- **Source d'alimentation** : Une pile 9 V
- **Consommation électrique** : *Off* : Moins de 5 uA

Mode plage basse : (50 V à 1,5 kV c.a.) Moins de 40 mA

Mode plage haute : (1,5 kV à 132 kV c.a.) Moins de 40 mA

Les caractéristiques techniques peuvent faire l'objet de modifications.

SYMBOLES



Avertissement ou mise en garde



Risque de choc électrique



Double isolation

AVERTISSEMENTS

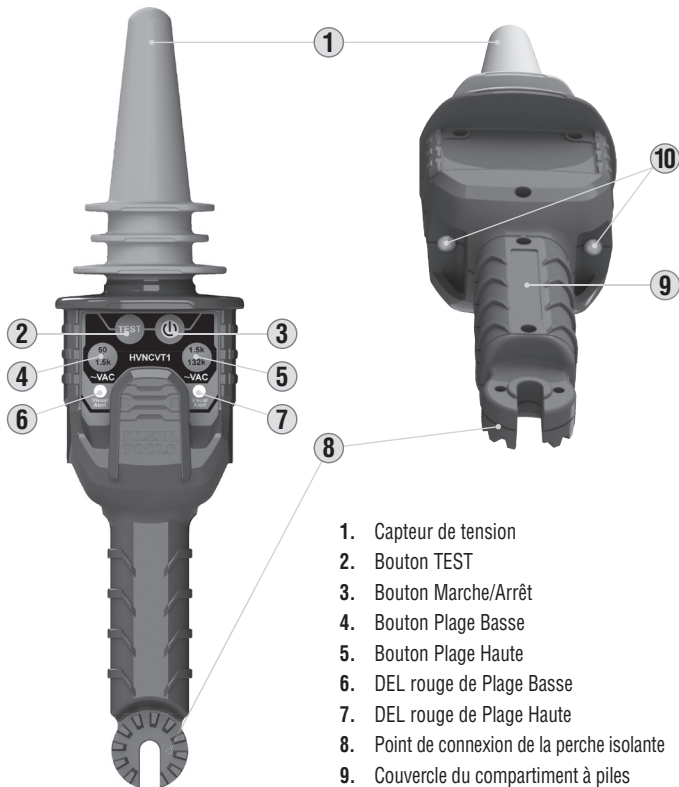
Pour garantir une utilisation et un entretien du testeur sécuritaires, suivez ces consignes. Le non-respect de ces avertissements peut entraîner des blessures graves, voire la mort.

- Soyez extrêmement prudent lorsque vous testez des circuits électriques sous tension en raison du risque de blessures liées aux chocs électriques.
- Lors de la mesure de tensions élevées, utilisez toujours une perche isolante et portez des gants en caoutchouc respectant les normes de l'industrie.
- Appliquez les pratiques sécuritaires approuvées et respectez les dégagements conformément à la réglementation OSHA, sous-parties R et V, et aux règles en vigueur dans votre entreprise.
- Il faut toujours tester un circuit alimenté connu pour vérifier la fonctionnalité du testeur avant chaque utilisation.
- Ne dépassez pas les limites indiquées sur l'instrument. Ne testez jamais des tensions supérieures à 132 kV c.a. (valeur efficace).
- Ne vous reliez jamais vous-même à la masse lors de la prise de mesures. Ne touchez jamais à des éléments exposés du circuit.
- Observez les précautions de sécurité appropriées lorsque des travaux sont effectués sur des tensions supérieures à 30 V c.a. (valeur efficace) pour éviter tout risque de choc électrique.
- Ne supposez pas que l'équipement ou les conducteurs sont hors tension ou le demeureront. Installez toujours un dispositif de mise à la masse approprié avant de débiter les travaux.
- N'utilisez pas le testeur dans une atmosphère explosive.
- N'exposez pas le testeur à la pluie ou à l'humidité. Cela augmente le risque d'incendie ou de choc électrique.
- Ne vous fiez pas sur ce testeur pour effectuer des mesures sur des câbles blindés ou à neutre concentrique.
- Ne laissez pas l'appareil entrer en contact avec un conducteur sous tension. Évitez de toucher à des fils ou des raccords exposés ou à d'autres parties sous tension d'un circuit électrique.
- Les câbles d'alimentation triphasés avec des conducteurs rapprochés pourraient annuler leur propre champ électrique et ne pas être détectés par l'appareil. Assurez-vous que les conducteurs de phase sont espacés d'au moins 381 mm (15 po) avant de tester la tension c.a.

CARACTÉRISTIQUES DÉTAILLÉES

Avant du testeur

Endos du testeur



1. Capteur de tension
2. Bouton TEST
3. Bouton Marche/Arrêt
4. Bouton Plage Basse
5. Bouton Plage Haute
6. DEL rouge de Plage Basse
7. DEL rouge de Plage Haute
8. Point de connexion de la perche isolante
9. Couvercle du compartiment à piles
10. Indicateurs de tension à DEL bleues

INSTRUCTIONS D'UTILISATION

POUR UNE UTILISATION PAR LE PERSONNEL QUALIFIÉ SEULEMENT

Toute personne utilisant cet instrument devrait posséder les connaissances et avoir reçu une formation sur les risques encourus lors de la mesure de moyennes et hautes tensions. L'utilisateur doit comprendre l'importance des mesures de sécurité et doit tester l'instrument avant et après son utilisation, pour s'assurer de son bon fonctionnement.

EXEMPLES D'APPLICATIONS :

- Détection sans contact d'une tension c.a. sous tension
- Identification de défauts dans des câbles
- Vérification et détection de tension dans les câbles haute tension
- Repérage de câbles sous tension
- Vérification d'équipement de mise à la masse

Fig. 1 : Angle de détection idéal

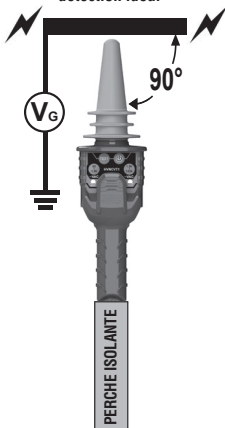


Fig. 2 : Identification d'une déféctuosité dans un câble

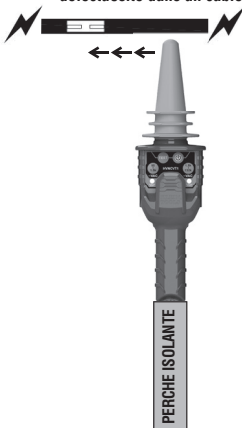


Fig. 3 : Détection de tension dans des lignes de transmission aériennes



INSTRUCTIONS D'UTILISATION

Avant l'utilisation, inspectez toujours le testeur pour y déceler des signes de dommage visibles. S'il y a des signes de dommage ou si le testeur ne fonctionne pas correctement, cessez d'utiliser l'unité.

Testez toujours sur un circuit alimenté connu pour vérifier la fonctionnalité du testeur. Le testeur devrait être utilisé à titre indicatif uniquement.

Il faut garder le testeur propre et sec. S'il ne l'est pas, essuyez-le à l'aide d'un linge non pelucheux propre et sec.

MODES DE FONCTIONNEMENT

Le HVNCVT1 peut fonctionner dans deux plages de tensions. En mode plage basse, la DEL rouge ⑥ sous le bouton Plage Basse ④ s'allume. En mode plage haute, la DEL rouge ⑦ sous le bouton Plage Haute ⑤ s'allume. Consultez les **CARACTÉRISTIQUES DÉTAILLÉES** pour connaître l'emplacement des DEL rouges.

BOUTON MARCHE/ARRÊT

Appuyez sur le bouton Marche/Arrêt ③ pour allumer ou éteindre l'appareil. Lorsque l'appareil est allumé, les deux DEL bleues ⑩ clignotent et l'appareil émet un son aigu. Consultez les **CARACTÉRISTIQUES DÉTAILLÉES** pour connaître l'emplacement des DEL bleues.

BOUTON TEST

Maintenez enfoncé le bouton TEST ② pour activer la fonction auto-test de l'appareil. Assurez-vous que la DEL bleue ⑩ est allumée et que l'appareil produit un son constant. Cette fonction auto-test confirme **UNIQUEMENT** la suffisance des piles, l'intégrité du système et le mode fonctionnement/actif. Il faut toujours tester sur un circuit alimenté connu pour vérifier la fonctionnalité du testeur avant chaque utilisation. **Si les deux DEL bleues ne s'allument pas et le bip n'est pas présent, remplacez les piles.**

BOUTON PLAGE BASSE

Lorsque l'appareil est allumé, appuyez sur le bouton Plage Basse ④ pour sélectionner la plage de basses tensions. Assurez-vous que la DEL rouge ⑥ sous le bouton Plage Basse est allumée. Assurez-vous aussi que les deux DEL bleues ⑩ clignotent et que l'appareil produit un bip.

La plage basse est de 50 V c.a. à 1,5 kV c.a.

INSTRUCTIONS D'UTILISATION

Placez la pointe de la sonde du testeur **1** près d'une source de basse tension, sans y toucher. Assurez-vous que les DEL bleues **10** clignotent rapidement et que l'appareil produit des bips plus rapides lorsqu'une tension est présente. Lorsque la pointe de la sonde s'approche de la source de tension, les DEL bleues s'allument en continu et le bip est constant. Consultez la Figure 1 de la page 29 pour déterminer l'angle de détection idéal. Maintenez toujours les distances d'approche minimales indiquées dans les tableaux R-6 et R-7 de l'OSHA, présentés aux pages 32 et 33 du présent manuel.

BOUTON PLAGE HAUTE

Attachez une perche isolante à l'appareil avant d'utiliser la plage haute de tensions. Utilisez-le uniquement avec des perches isolantes et portez des gants en caoutchouc respectant les normes de l'industrie. Appliquez toujours les pratiques sécuritaires approuvées et respectez les dégagements conformément à la réglementation OSHA, sous-parties R et V, et à toutes les règles en vigueur dans l'entreprise.

Lorsque l'appareil est allumé, appuyez sur le bouton Plage Haute **5** pour sélectionner la plage de tensions élevées. Assurez-vous que la DEL rouge **7** sous le bouton Plage Haute est allumée. Assurez-vous aussi que les deux DEL bleues **10** clignotent et que l'appareil produit un bip.

La plage haute est de 1,5 kV c.a. à 132 kV c.a.

Placez la pointe de la sonde du testeur **1** près d'une source de haute tension, sans y toucher. Assurez-vous que les DEL bleues **10** clignotent rapidement et que l'appareil produit des bips plus rapides lorsqu'une tension est présente. Lorsque la pointe de la sonde s'approche de la source de tension, les DEL bleues s'allument en continu et le bip est constant. Consultez la Figure 1 de la page 29 pour déterminer l'angle de détection idéal. Maintenez toujours les distances d'approche minimales indiquées dans les tableaux R-6 et R-7 de l'OSHA, présentés aux pages 32 et 33 du présent manuel.

IDENTIFICATION DE DÉFECTUOSITÉS DANS DES CÂBLES

Le testeur peut être utilisé pour trouver des défauts dans certains câbles flexibles. Appuyez sur le bouton approprié pour sélectionner la plage basse **4** ou haute **5** en fonction de la tension du câble sous tension testé. Déplacez le testeur le long du câble (sans y toucher), en écoutant les bips rapides ou le son constant et en observant le clignotement rapide ou l'illumination constante des DEL bleues **10**. Lorsque la défektivité est atteinte, l'appareil ne clignote plus et ne produit plus de bips. Voir la Figure 2, à la page 29. Maintenez toujours les distances d'approche minimales indiquées dans les tableaux R-6 et R-7 de l'OSHA, présentés aux pages 32 et 33 du présent manuel.

INSTRUCTIONS D'UTILISATION

Appliquez toujours les pratiques sécuritaires approuvées et respectez les dégagements conformément à la réglementation OSHA, sous-parties R et V, et à toutes les règles en vigueur dans l'entreprise. Pour connaître les distances d'approche minimales (MAD), consultez les Tableaux OSHA R-6 et R-7 ci-dessous.

TABLEAU R-6 – DISTANCES D'APPROCHE MINIMALES (AUTRES VALEURS) POUR LES TENSIONS ÉGALES ET INFÉRIEURES À 72,5 kV¹

| Tension nominale (kV) entre phases | Distance | | | |
|---------------------------------------|------------------------|-------------------|------------------------|-------------------|
| | Exposition phase-masse | | Exposition phase-phase | |
| | pi | m | pi | m |
| 0,50 à 0,300² | Éviter le contact | Éviter le contact | Éviter le contact | Éviter le contact |
| 0,301 à 0,750² | 1,09 | 0,33 | 1,09 | 0,33 |
| 0,751 à 5,0 | 2,07 | 0,63 | 2,07 | 0,63 |
| 5,1 à 15,0 | 2,14 | 0,65 | 2,24 | 0,68 |
| 15,1 à 36,0 | 2,53 | 0,77 | 2,92 | 0,89 |
| 36,1 à 46,0 | 2,76 | 0,84 | 3,22 | 0,98 |
| 46,1 à 72,5 | 3,29 | 1,00 | 3,94 | 1,20 |

¹ Les employeurs peuvent utiliser les distances d'approche minimales dans ce tableau en tenant compte d'un site de travail se situant à une élévation de 900 mètres (3 000 pi) ou moins. Si les employés travailleront à des élévations supérieures à 900 mètres (3 000 pi) au-dessus du niveau moyen de la mer, l'employeur devra déterminer les distances d'approche minimales en multipliant les distances dans ce tableau par le facteur de correction dans le Tableau R-5, Facteur de correction d'altitude de l'OSHA, correspondant à l'altitude du travail.

² Dans le cas de systèmes monophasés, utilisez la tension phase-masse.

INSTRUCTIONS D'UTILISATION

TABLEAU R-7 – DISTANCES D'APPROCHE MINIMALES (AUTRES VALEURS) POUR LES TENSIONS SUPÉRIEURES À 72,5 kV ^{1 2 3}

| Tension nominale (kV) entre phases | Distance | | | |
|---------------------------------------|------------------------|------|------------------------|-------|
| | Exposition phase-masse | | Exposition phase-phase | |
| | pi | m | pi | m |
| 72,6 à 121,0 | 3,71 | 1,13 | 4,66 | 1,42 |
| 121,1 à 145,0 | 4,27 | 1,30 | 5,38 | 1,64 |
| 145,1 à 169,0 | 4,79 | 1,46 | 6,36 | 1,94 |
| 169,1 à 242,0 | 6,59 | 2,01 | 10,10 | 3,08 |
| 242,1 à 362,0 | 11,19 | 3,41 | 18,11 | 5,52 |
| 362,1 à 420,0 | 13,94 | 4,25 | 22,34 | 6,81 |
| 420,1 à 550,0 | 16,63 | 5,07 | 27,03 | 8,24 |
| 550,1 à 800,0 | 22,57 | 6,88 | 37,34 | 11,38 |

- ¹ Les employeurs peuvent utiliser les distances d'approche minimales dans ce tableau en tenant compte d'un site de travail se situant à une élévation de 900 mètres (3 000 pi) ou moins. Si les employés travailleront à des élévations supérieures à 900 mètres (3 000 pi) au-dessus du niveau moyen de la mer, l'employeur devra déterminer les distances d'approche minimales en multipliant les distances dans ce tableau par le facteur de correction dans le Tableau R-5, Facteur de correction d'altitude de l'OSHA, correspondant à l'altitude du travail.
- ² Les employeurs peuvent utiliser les distances d'approche minimales phase-phase dans ce tableau pourvu qu'il n'y ait pas d'outil isolé qui couvre l'écart ni de grand objet conducteur dans l'écart.
- ³ La distance de dégagement entre la ligne sous tension et l'outil devrait être égale ou supérieure aux valeurs pour les plages de tensions indiquées.

INSTRUCTIONS D'UTILISATION

VÊTEMENTS DE PROTECTION ET ÉQUIPEMENT DE PROTECTION INDIVIDUELLE (EPI)

TABLEAU 130.7 (C) (16) DE LA NORME NFPA 70E 2015

Notez bien que le nouveau tableau des catégories EPI ci-dessous ne mentionne plus la catégorie 0.

| Catégorie EPI* | Vêtement | Cote APTV minimale, Cal/cm ² | Vêtements requis | Équipement de protection requis |
|----------------|--|---|--|---|
| 1 | Vêtement et EPI à l'épreuve des arcs électriques ¹ | 4 | Chemise à manches longues et pantalons ou combinaison. Cagoule d'habit anti-arc ou écran facial ² . Doublure de veste, parka, vêtements de pluie ou casque de chantier (AB). | Casque de chantier. Lunettes de protection (SR). Protection de l'ouïe (bouchons d'oreilles). Gants en cuir résistants ³ . Chaussures en cuir (AB). |
| 2 | Vêtement et EPI à l'épreuve des arcs électriques ¹ | 8 | Chemise à manches longues et pantalons ou combinaison. Cagoule d'habit anti-arc ou écran facial ² et passe-montagne. Doublure de veste, parka, vêtements de pluie ou casque de chantier (AB). | Casque de chantier. Lunettes de protection (SR). Protection de l'ouïe (bouchons d'oreilles). Gants en cuir résistants ³ . Chaussures en cuir (AB). |
| 3 | Vêtements et EPI à l'épreuve des arcs électriques ¹ | 25 | Chemise à manches longues (TR). Pantalons (TR). Combinaison (TR). Veste anti-arc (TR). Pantalon anti-arc (TR). Cagoule anti-arc. Gants ¹ . Doublure de veste, parka, vêtements de pluie ou casque de chantier (AB). | Casque de chantier. Lunettes de protection (SR). Protection de l'ouïe (bouchons d'oreilles). Chaussures en cuir (AB). |
| 4 | Vêtements et EPI à l'épreuve des arcs électriques ³ | 40 | Chemise à manches longues (TR). Pantalons (TR). Combinaison (TR). Veste anti-arc (TR). Pantalon anti-arc (TR). Cagoule anti-arc. Gants ¹ . Doublure de veste, parka, vêtements de pluie ou casque de chantier (AB). | Casque de chantier. Lunettes de protection (SR). Protection de l'ouïe (bouchons d'oreilles). Chaussures en cuir (AB). |

AB = au besoin (facultatif) TR = tel que requis SR = sélection requise

* L'une des 3 méthodes de base est utilisée pour déterminer la catégorie de danger/risque pour une tâche.

¹ Le risque d'arc électrique est défini dans l'article 100 de la NFPA 70E, édition 2015.

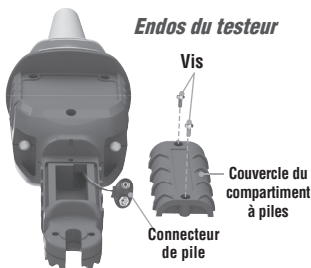
² Les écrans faciaux doivent être dotés de protections latérales protégeant non seulement le visage, mais aussi le front, les oreilles et le cou; sinon, une cagoule anti-arc doit être portée.

³ Si des gants isolants en caoutchouc avec protecteurs en cuir sont utilisés, il n'est pas nécessaire de porter des gants supplémentaires en cuir ou anti-arc. La combinaison de gants isolants en caoutchouc et de protecteurs en cuir répond aux exigences de protection anti-arc.

ENTRETIEN

REPLACEMENT DES PILES

1. Dévissez le couvercle du compartiment à piles et soulevez-le pour le retirer du testeur.
2. Enlevez l'ancienne pile.
3. Insérez une pile neuve (9 V).
4. Réinstallez le couvercle du compartiment à piles et revissez-le.



NETTOYAGE

Assurez-vous d'éteindre le testeur, puis essuyez-le à l'aide d'un linge non pelucheux propre. **N'utilisez pas de nettoyant abrasif ou de solvant.**

RANGEMENT

Si vous ne prévoyez pas utiliser le testeur pendant plus de 60 jours, retirez la pile et rangez-la à part.

GARANTIE

www.kleintools.com/warranty

MISE AU REBUT/RECYCLAGE



Ne pas mettre l'appareil et ses accessoires au rebut. Ces articles doivent être éliminés conformément aux règlements locaux.

Pour de plus amples renseignements, consultez les sites www.epa.gov ou www.erecycle.org.

SERVICE À LA CLIENTÈLE

KLEIN TOOLS, INC.

450 Bond Street
Lincolnshire, IL 60069 USA

hisupport@kleintools.com
www.kleintools.com



For Professionals... Since 1857™

KLEIN TOOLS, INC. 450 Bond Street Lincolnshire, IL 60069 USA
hisupport@kleintools.com **www.kleintools.com**