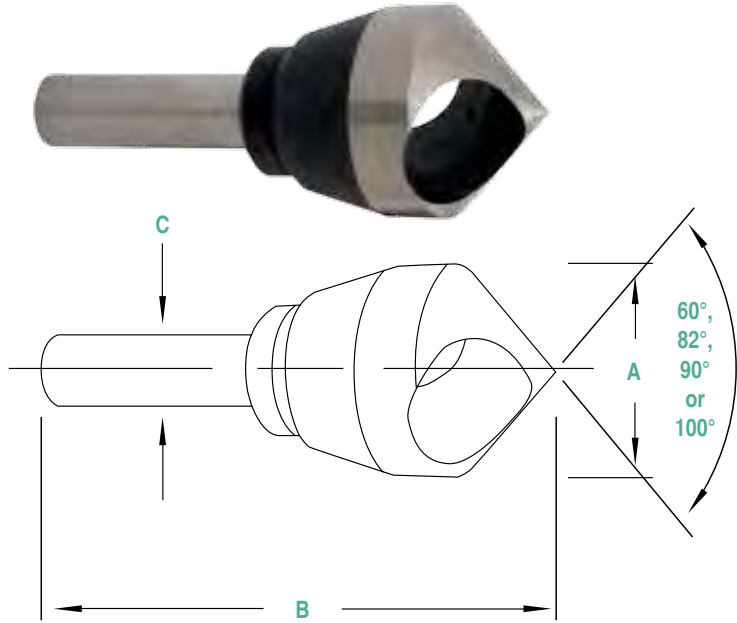




KEO Flute Cobalt Countersink and Deburring Tools

KEO ZERo flute countersink and deburring tools are simple, all-purpose tools made of Cobalt that provide flawless countersinking and deburring. The chatter-free cutting action requires minimal power. The micro-smooth CNC precision ground construction produces clean, smooth cutting without smearing on a variety of materials. The tool especially excels in countersinking or deburring holes in aluminum, plastics and other nonmetallics. For set information see page 47.



60° Countersink Angle

A Head Dia.	Product Number		Dia. of Cut		B OAL	C Shank Dia.
	Uncoated	TiN	Min.	Max.		
5/16	53500	53500-TiN	7/64	9/32	1-7/8	1/4
3/8	53501	53501-TiN	5/32	11/32	1-7/8	1/4
1/2	53502	53502-TiN	11/64	29/64	2	5/16
5/8	53503	53503-TiN	3/16	37/64	2-1/2	3/8
3/4	53504	53504-TiN	1/4	45/64	2-3/4	3/8
1	53505	53505-TiN	19/64	27/32	3	3/8
1-1/4	53506	53506-TiN	27/64	1-1/32	3-1/2	1/2

All dimensions in inches.
Many tools are available with additional coatings.
Please call for quote.

82° Countersink Angle

A Head Dia.	Product Number		Dia. Of Cut		B OAL	C Shank Dia.
	Uncoated	TiN	Min.	Max.		
5/16	53510	53510-TiN	3/32	9/32	1-5/8	1/4
3/8	53511	53511-TiN	9/64	11/32	1-3/4	1/4
1/2	53512	53512-TiN	5/32	29/64	1-3/4	5/16
5/8	53513	53513-TiN	11/64	37/64	2-1/8	3/8
3/4	53514	53514-TiN	13/64	45/64	2-3/8	3/8
1	53515	53515-TiN	19/64	59/64	2-5/8	3/8
1-1/4	53516	53516-TiN	23/64	1-3/32	3-1/8	1/2

All dimensions in inches.
Many tools are available with additional coatings.
Please call for quote.

90° Countersink Angle

A Head Dia.	Product Number		Dia. Of Cut		B OAL	C Shank Dia.
	Uncoated	TiN	Min.	Max.		
5/16	53520	53520-TiN	3/32	9/32	1-5/8	1/4
3/8	53521	53521-TiN	9/64	11/32	1-3/4	1/4
1/2	53522	53522-TiN	5/32	29/64	1-3/4	5/16
5/8	53523	53523-TiN	11/64	37/64	2-1/8	3/8
3/4	53524	53524-TiN	13/64	45/64	2-3/8	3/8
1	53525	53525-TiN	19/64	59/64	2-5/8	3/8
1-1/4	53526	53526-TiN	23/64	1-3/32	3-1/8	1/2

All dimensions in inches.
Many tools are available with additional coatings.
Please call for quote.

100° Countersink Angle

A Head Dia.	Product Number		Dia. of Cut		B OAL	C Shank Dia.
	Uncoated	TiN	Min.	Max.		
5/16	53530	53530-TiN	3/32	9/32	1-5/8	1/4
3/8	53531	53531-TiN	9/64	11/32	1-3/4	1/4
1/2	53532	53532-TiN	5/32	29/64	1-3/4	5/16
5/8	53533	53533-TiN	11/64	37/64	2-1/8	3/8
3/4	53534	53534-TiN	13/64	45/64	2-3/8	3/8
1	53535	53535-TiN	19/64	59/64	2-5/8	3/8
1-1/4	53536	53536-TiN	23/64	1-1/8	3-1/8	1/2

All dimensions in inches.
Many tools are available with additional coatings.
Please call for quote.