

Hand operated mechanical tools

Fixed die type "OS" tools

Residential service connections can be quickly and reliably made with these lightweight and compact fixed die tools. The tool is available with a choice of two dies for compressing 5/8" diameter bare and insulated Serv-ens™ connectors, triplex sleeves and URD connectors. The OS-620 has the added benefit of providing a Non-Bow™ crimp.

The bent handle design imparts a mechanical advantage. The powerful jaw mechanism follows the design principle of the larger type "O" Tool.

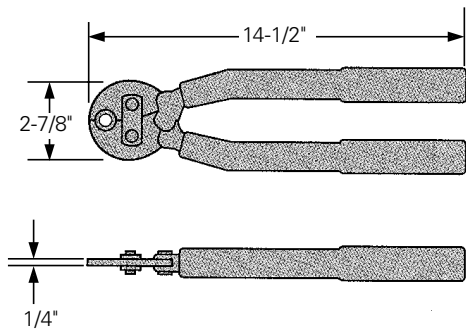


Figure 1. Residential service connector "OS" Tool.



Table 1. Ordering Information

Description	Crimp Diameter	Catalog Number	Net Wt. Each
5/8" Fixed Die	5/8"	OS50	2 lbs.
620 Fixed Die	5/8"	OS-620	2 lbs.

Figure 2. Tool Application: useable on any non-tension sleeve with 5/8" O.D. Catalog number OS50 shown.