



# TRAC-MASTER®

Two Circuit Trac System

## TRAC SECTION, JOINERS & FEEDS

**TU Series**

Project: \_\_\_\_\_

Fixture Type: \_\_\_\_\_

Location: \_\_\_\_\_

Contact/Phone: \_\_\_\_\_

### PRODUCT DESCRIPTION

Low profile, two-circuit trac sections for surface or pendant mounting. Provides two separate 20-amp circuits from a single electrical feed or one 20-amp circuit controlled by two switches. I-beam cross section provides added strength and rigidity in pendant suspended applications. Compatible with a full range of feed, connector and mounting accessories, as listed on back of this page, to complete virtually any installation requirement. Accepts all Trac-Master and Trac-Lites trac fixtures, which have a moveable "hot" contact to allow operation using circuit (or switch leg) 1 or 2.

### PRODUCT SPECIFICATIONS

**Construction** Extruded aluminum "1" beam channel • One-piece thermoplastic insulator • Injection molded polycarbonate dead-end with set screw • Standard lengths may be cut-to-length by installer.

**Electrical** Three 12 gauge solid copper conductors • Each circuit rated 20 amps at 120 volts (40 amps total) • Aluminum channel used as system ground • One-piece insulator insures consistent conductor spacing for reliable electrical contact • Insulating bushings supplied at mounting hole locations to prevent shorts to ground.

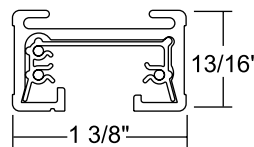
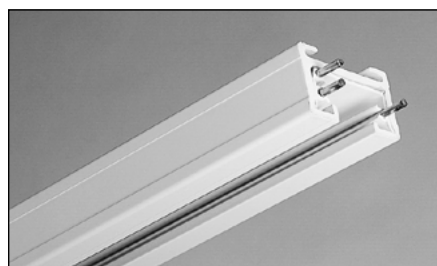
**Labels** UL listed, CSA certified.

### PRODUCT INSTALLATION

Debossed polarity line provides visual cue to proper trac, trac connector and fixture alignment • Supplied with toggle bolts for surface mounting • Integral raceway in top of channel accommodates pendant mounting hardware and wire routing to electrical feed • Insulator stays same length as extrusion to simplify field-cutting of trac • Connectors and feeds simply push into trac sections.

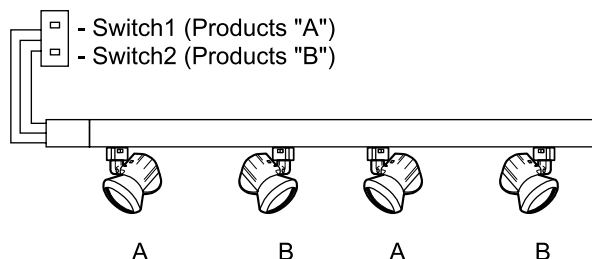
Specifications subject to change without notice.

### DIMENSIONS



### INSTALLATION GUIDE

Use two switches for greater control, two circuits for greater capacity.



Where wattage requirements are 2400W or more, the trac run may be fed from one point, providing 4800W capacity plus 2 switches.

**One Circuit with Two Switches - 2400W Max.**

Two switches may be used on each trac run with a portion of Trac fixtures run by Switch 1 and the balance on Switch 2 • Dimmers, occupancy sensors, timers, etc. can also be utilized to provide other lighting effects along the run.

**Two Circuits with Two Switches - 4800W Max.**

Two-Circuit TracMaster provides a load capacity of 4800W (two 2400 watt circuits) using split phase common neutral circuit

- This "double capacity" eliminates 50% of the feed points in long runs reducing wiring costs and simplifying the installation
- Two separate circuit switches permit flexibility in combining lighting effects along the run.

### ORDERING INFORMATION

Example: TU 8FT WH

| Series                                  | Length  | Finish   |
|---|---|--|
| TU Trac-Master 2-Circuit Track Sections | <b>2FT</b> 2-foot track section; actual length 19-7/8"    | <b>BL</b> Black<br><b>SL</b> Silver<br><b>WH</b> White |
|   | <b>4FT</b> 4-foot track section; actual length 43-7/8"    |  |
|   | <b>6FT</b> 6-foot track section; actual length 67-7/8"    |  |
|   | <b>8FT</b> 8-foot track section; actual length 91-7/8"    |  |
|   | <b>12FT</b> 12-foot track section; actual length 139-7/8" |  |

# TRAC-MASTER®

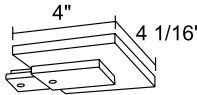
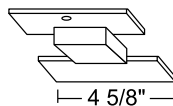
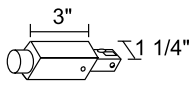
Two Circuit Trac System

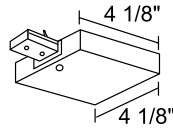
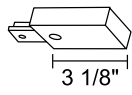
## TRAC SECTION, JOINERS & FEEDS

### TU Series

#### Electrical Feeds

Examples: TU21 BL, TU34 RP WH

| TU21  | TU21 RP   | TU29   | TU34   | TU34 RP  |
|---|---|--|--|--|
| BL, SL, WH  | BL, SL, WH  | BL, SL, WH   | BL, SL, WH   | BL, SL, WH   |
| <p><b>End Feed Connector and Outlet Box Cover</b></p> <p>For outlet box feed. Includes: outlet box cover, fixture strap and ground screw.</p>  | <p><b>End Feed Connector and Outlet Box Cover</b></p> <p>Same as <b>TU21</b> except designed for use in opposite polarity orientation compared to standard feed connectors.</p> | <p><b>Floating Electrical Feed</b></p> <p>Permits mounting any point of trac under outlet box. Includes floating connector, outlet box cover plus extra trac dead end.</p>  | <p><b>Conduit End Feed</b></p> <p>For surface wiring. Use standard 1/2" connector.</p>  | <p><b>Conduit End Feed</b></p> <p>Same as <b>TU34</b> except designed for use in opposite polarity orientation compared to standard feed connectors.</p> |

| TU36  | TU36 RP  | TU38   | TU38 RP   |
|---|--|--|---|
| BL, SL, WH  | BL, SL, WH   | BL, SL, WH   | BL, SL, WH  |
| <p><b>T-Bar End Feed</b></p> <p>Wiring compartment contains standard 1/2" KO's. Feeds surface trac from above, when T-bar is directly above trac.</p>  | <p><b>T-Bar End Feed</b></p> <p>Same as <b>TU36</b> except designed for use in opposite polarity orientation compared to standard feed connectors.</p> | <p><b>Live End Feed Connector</b></p> <p>Feed trac from above with flexible conduit, BX, etc., or end feed in pendant systems.</p>  | <p><b>Live End Feed Connector</b></p> <p>Same as <b>TU38</b> except designed for use in opposite polarity orientation compared to standard feed connectors.</p> |

# TRAC-MASTER®

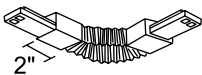
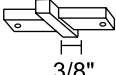
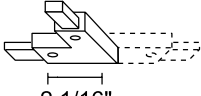
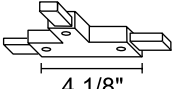
Two Circuit Trac System

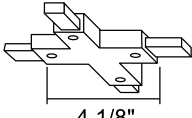
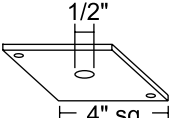

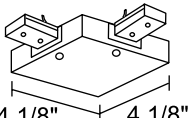
## TRAC SECTION, JOINERS & FEEDS

### TU Series

#### Trac Joiners & Dead End

Examples: TU20 BL, TU25 RP WH

| TU20  | TU23  | TU24 ‡   | TU25 ‡   | TU25 RP ‡  |
|---|---|--|--|--|
| BL, SL, WH  | BL, SL, WH  | BL, SL, WH   | BL, SL, WH   | BL, SL, WH   |
| <p><b>Accordion Adjustable Joiner</b></p> <p>Can flex to 90° angle to left, right, up or down. Joins two trac sections.</p>  <p>2"</p> | <p><b>Miniature Straight Connector</b></p> <p>Joins two trac sections end to end.</p>  <p>3/8"</p> | <p><b>Adjustable Connector</b></p> <p>Joins two trac sections to make a 90° angle or straight run. Straight and right angle covers supplied. For outlet box feed, No. T27 cover plate required.</p>  <p>2 1/16"</p> | <p><b>"T" Connector</b></p> <p>Joins three trac sections. For outlet box feed, No. T27 cover plate required.</p>  <p>4 1/8"</p> | <p><b>"T" Connector</b></p> <p>Same as TU25 except designed for use in opposite polarity orientation compared to standard feed connectors.</p> |

| TU26 ‡  | T27   | TU28   | TU35  |
|---|---|--|---|
| BL, SL, WH  | BL, SL, WH  | BL, SL, WH   | BL, SL, WH  |
| <p><b>"X" Connector</b></p> <p>Joins four trac sections at 90° angles. For outlet box feed, T27 cover plate required.</p>  <p>4 1/8"</p> | <p><b>Outlet Box Cover</b></p> <p>Use with Nos. TU24/TU25/TU26 for outlet box electrical feed. Includes: nipple, locknut and ground screw.</p>  <p>1/2"<br/>4" sq.</p> | <p><b>Trac Dead End</b></p> <p>For use with field-cut trac sections.</p>  | <p><b>T-Bar Adjustable Joiner Feed</b></p> <p>Joins two trac sections to make 90° angle or straight run. Wiring compartment contains standard 1/2" KO's. Feeds from above when T-bar is directly above trac.</p>  <p>4 1/8" 4 1/8"</p> |

‡ TU24, TU25 and TU26 may not be used as feed connectors in Canada.

# TRAC-MASTER®

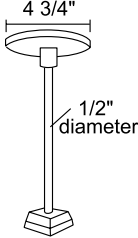
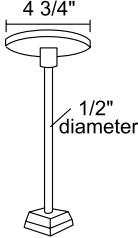
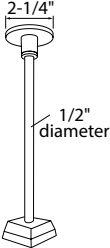
Two Circuit Trac System

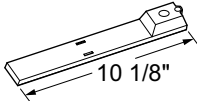



## TRAC SECTION, JOINERS & FEEDS

TU Series

### Pendant Stems

Examples: T90 12IN BL, T93 BL

| T90   | T91  | T9091M  |
|---|--|---|
| 12IN, 18IN, 24IN, 36IN, 48IN  | 12IN, 18IN, 24IN, 36IN, 48IN   | 12IN, 18IN, 24IN, 36IN, 48IN  |
| BL, SL, WH  | BL, SL, WH   | BL, SL, WH  |
| <p><b>T-Bar Pendant Stem Kit</b></p> <p>Compatible with 15/16" flush T-Bar ceilings. Use two for 2', 4', 6' of trac or three for 8' of trac or four for 12' of trac. Includes canopy, T-Bar mounting plate, stem and trac attachment hardware. For electrical feed, order <b>T93</b> wireway cover.</p>  | <p><b>Rigid Ceiling Pendant Stem Kit</b></p> <p>Attaches directly to junction box in rigid ceilings. Use two for 2', 4', 6' of trac or three for 8' of trac or four for 12' of trac (support is required every 4 feet). Includes canopy, J-Box mounting strap, stem and trac attachment hardware. For electrical feed, order <b>T93</b> wireway cover.</p>  | <p><b>Pendant Stem Mechanical Support Kit</b></p> <p>For mechanical support only (no feed). Suspends Trac from T-bar or rigid ceilings. Use two for 2', 4', 6' of trac or three for 8' of trac or four for 12' of trac (support is required every 4 feet). Includes Mini-Canopy, pendant stem, 15/16" T-bar clip, drywall anchor and Trac mounting hardware.</p>  |

| T93   | T94  | T96  | T56   |
|---|--|--|---|
| BL, SL, WH  | BL, SL, WH   | BL, SL, WH   | BL, SL, WH  |
| <p><b>Wireway Cover</b></p> <p>For Pendant Stem Kits <b>T90</b> and <b>T91</b>. Conceals electrical feed wires from stem to connector. One cover required for each trac feed.</p>  | <p><b>Sloped Ceiling Adapter</b></p> <p>Allows <b>T90</b> or <b>T91</b> pendant to hang straight down from sloped ceilings. Can be used to feed electrical wires to Trac at up to 60° angle.</p>  | <p><b>Pendant Stem Threaded Coupling</b></p> <p>Enables multiple pendant stems to be joined for higher ceiling applications.</p>  | <p><b>Solid Rod Pendant Mounting Kit</b></p> <p>Attaches solid 5/16" threaded rod to Trac. Includes: plastic cap, mounting bracket and hardware. Rod not supplied.</p>  |

# TRAC-MASTER®

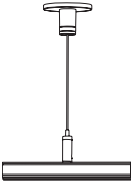
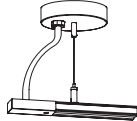
Two Circuit Trac System

## TRAC SECTION, JOINERS & FEEDS

TU Series

### Cable Suspension



Examples: T595 48IN BL, TU598 144IN WH

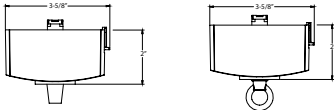
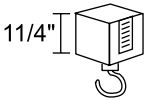
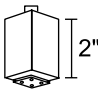
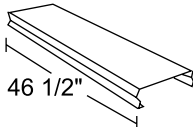
| T595   | T597  | TU596   | TU598   |
|--|---|---|---|
| 48IN, 144IN  | 48IN, 144IN   | 48IN, 144IN   | 48IN, 144IN   |
| BL, WH   | BL, WH  | BL, WH  | BL, WH  |
| <p><b>T-Bar Ceiling Cable Suspension Kit</b></p> <p>Mechanical-only cable suspension kit for 1-circuit or 2-circuit trac. Compatible with 15/16" flush T-Bar ceilings. Adjustable 48" or 144" stainless steel cable length. Includes mini-canopy, T-bar clip and cable hardware. Trac requires support every 4'.</p>  | <p><b>Rigid Ceiling Cable Suspension Kit</b></p> <p>Mechanical-only cable suspension kit for 1-circuit or 2-circuit trac. Attaches directly to junction box in rigid ceilings. Adjustable 48" or 144" stainless steel cable length. Includes mini-canopy, toggle bolt and cable hardware. Trac requires support every 4'.</p>  | <p><b>T-Bar Ceiling Cable Suspension/Feed Kit</b></p> <p>Cable suspension kit with adjustable 48" or 144" electrical feed cable for 2-circuit trac. Compatible with 15/16" flush T-Bar ceilings. Includes canopy, T-bar clip, mounting plate, cable hardware and flexible electrical feed cable. Trac feed connector not included (order separately). Trac requires support every 4'.</p> | <p><b>Rigid Ceiling Cable Suspension/Feed Kit</b></p> <p>Cable suspension kit with adjustable 48" or 144" electrical feed cable for 2-circuit trac. Attaches directly to junction box in rigid ceilings. Includes canopy, J-box mounting strap, cable hardware and flexible electrical feed cable. Trac feed connector not included (order separately). Trac requires support every 4'.</p> |

**Note:** Cable suspension is recommended for pattern installations only, or those installations that are supplemented with additional rigid mounting points (stems, threaded rod, etc.).

### Accessories

Example: T31N BL

| T37F   | T37D   | T37F916   | T37D916  |
|--|--|---|--|
| <p><b>15/16" T-Bar Attachment Clip</b></p> <p>To attach to inverted tee ceilings using flush tiles. Use two for 2' or 4' trac and three for 6' or 8' trac.</p>  | <p><b>15/16" T-Bar Attachment Clip</b></p> <p>Same as <b>T37F</b> with spacer for ceilings using drop tiles.</p> | <p><b>9/16" T-Bar Attachment Clip</b></p> <p>To attach to inverted tee ceilings using flush or drop tiles. Use two for 2' or 4' trac and three for 6' or 8' trac.</p>  | <p><b>9/16" T-Bar Attachment Clip</b></p> <p>Same as <b>T37F916</b> with spacer for ceilings using drop tiles.</p> |

| T31N  | T32   | T33  | T39  |
|---|---|--|--|
| BL, SL, WH  | BL, SL, WH  | BL, SL, WH   |  |
| <p><b>Pendant Adapter</b></p> <p>Adapts corded, swag or chain-hung fixture to trac. Includes loop hook for chain installation and strain relief for direct cord suspension. Chain installation accepts cord diameters up to 0.270" and supports up to 15 lbs. Strain relief installation accepts cord diameters of 0.170" to 0.255", type SVT 18/3, and supports up to 5 lbs. May also be specified with GTYPE, HTYPE or LTYPE Alternate Mounting Adapters (i.e. T31N HTYPE WH). 5A max. UL Listed.</p>  | <p><b>Plant or Utility Hook</b></p> <p>Supports up to 25 lbs. Not UL Listed.</p>  <p>11/4"</p> | <p><b>Outlet Adapter</b></p> <p>Provides electrical receptacle. Not UL Listed.</p>  <p>2"</p> | <p><b>Trac Wireway Cover</b></p> <p>4' black thermoplastic extrusion, covers wire carried in trac wireway. Use one for 4' trac, two for 8' and three for 12' trac. Can be field cut.</p>  <p>46 1/2"</p> |

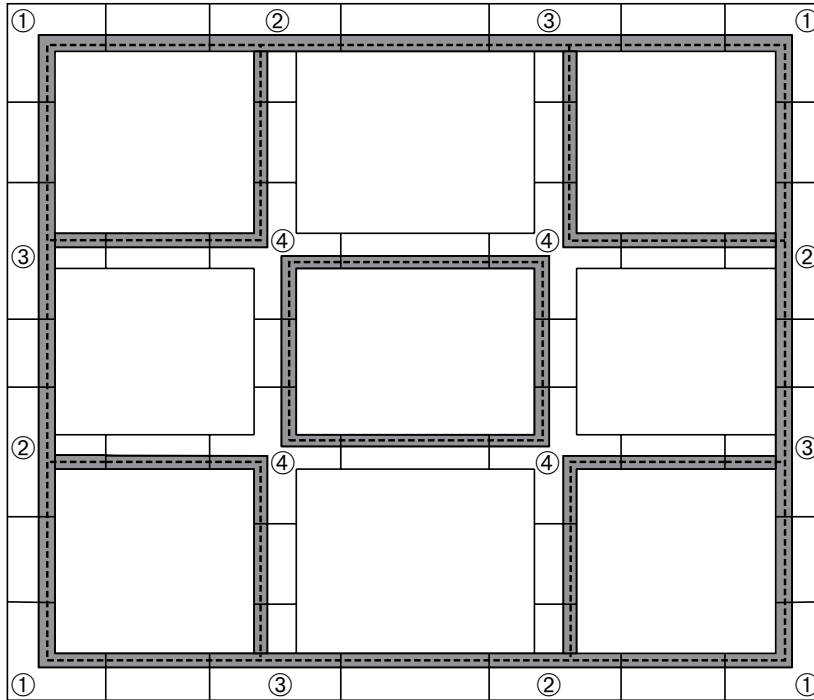
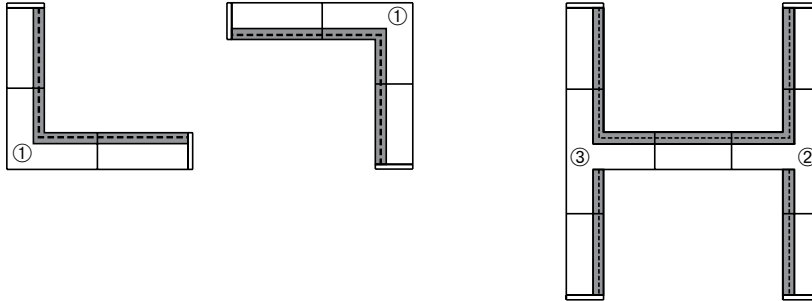
# TRAC-MASTER®

Two Circuit Trac System

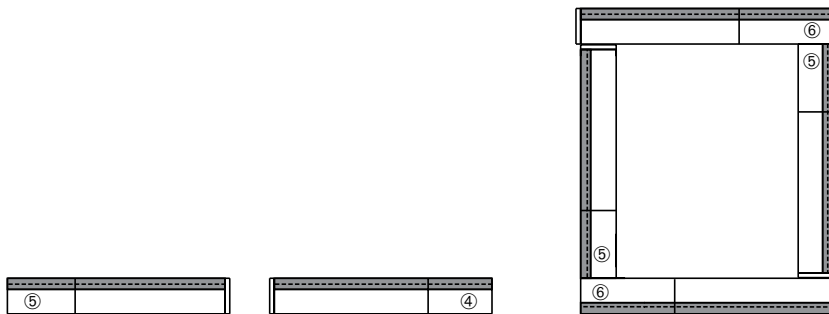
## TRAC SECTION, JOINERS & FEEDS

TU Series

### Example Trac Configurations & Recommended Components (Top Plan View)



- ① Standard "L" Connector – **TU24**
- ② Standard "T" Connector – **TU25**
- ③ Reverse Polarity "T" Connector – **TU25 RP**
- ④ Standard "X" Connector – **TU26**
- ⑤ Standard End Feed Connector – **TU38** (or similar End Feed)
- ⑥ Reverse Polarity End Feed Connector – **TU38 RP** (or similar Reverse Polarity End Feed)



(Each run controlled by separate feeds)