



6" SHALLOW UNIVERSAL IC HOUSING

INCANDESCENT LAMPS

IC21


Project: _____

Fixture Type: _____

Location: _____

Contact/Phone: _____

PRODUCT DESCRIPTION

IC Housing Air-Loc® Ready • Energy efficient, sealed housing
 • Can be completely covered with insulation • When used with Air-Loc Gasket (see accessories), stops infiltration and exfiltration of air, reducing heating and cooling costs • Trims shown with Air-Loc symbol  do not require a gasket.

PRODUCT SPECIFICATIONS

Lamp Lamp ratings based on trim selected—see reverse.

Socket Medium base porcelain with nickel-plated copper screw shell • Floating socket with spring attaches to trim for installation.

Trims Trim selection shown on reverse.

Labels U.L. listed for through-branch wiring, damp locations and IP • Product thermally protected against improper use of lamps
 • Union made • UL Listed/CSA certified • Trim No. 241 is wet location approved for covered ceiling applications.

Testing All reports are based on published industry procedures; field performance may differ from laboratory performance.

Product specifications subject to change without notice.

INSTALLATION

Real Nail 3 Bar Hangers Telescoping, Patented (US Patent D552,969) Real Nail 3 system permits quick placement of housing anywhere within 24" O.C. joists or suspended ceilings • Integral T-bar notch and clip secures housing in suspended ceiling grid – no accessory clips required • 24" expansion stop allows quick placement of fixture in standard grid spacing • Bars scored in two locations for fast, clean breaking, allowing housing installation in tight applications • Bars captive to mounting frame • Edge-mounted for extra strength • Captive bugle-headed ring shank nail for quick one-step installation and easy removal with claw hammer for fixture relocation • Quick-Loc slot (location identified on the mounting frame) and oversized locking set screw lock fixture in position • Bar hanger foot contoured to align to bottom of construction joist • Alternate mounting holes included.

Junction Box Pre-wired junction box provided with (5) 1/2" and (1) 3/4" knockouts, (4) Non-metallic sheathed cable connectors and ground wire, U.L. listed/CSA certified for through branch wiring, maximum 8 No. 12 AWG 90° C branch circuit conductors (4 in, 4 out) • Junction box provided with removable access plates
 • Knockouts equipped with pryout slots.

Mounting Frame 22-gauge die-formed galvanized steel mounting frame • Rough-in section (junction box, mounting frame, housing and bar hangers) fully assembled for ease of installation
 • Sight lines embossed on mounting frame to allow for easy viewing when aligning fixtures.

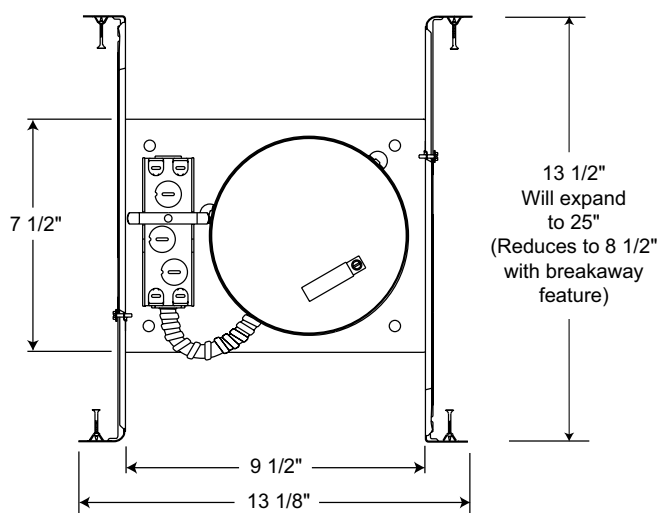
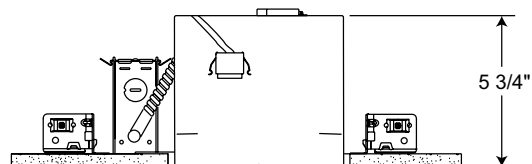
Housing IC housing, .032" aluminum sealed for Air-Loc Compliance • Housing is vertically adjustable to accommodate up to a 1" ceiling thickness.

PRODUCT CODES

Catalog Number	Input Voltage	Lamp Rating (max.)
IC21	120V	A19/R20/PAR20/BR30/PAR30/PAR30L (See reverse for max. trim rating)

REV-5/15

DIMENSIONS



6 7/8" CEILING CUTOUT

ACCESSORIES

Catalog No.	Description
ALG6	Air-Loc Gasket

To order, specify catalog number.

6" SHALLOW UNIVERSAL IC HOUSING

INCANDESCENT LAMPS

IC21


TRIMS/LAMPS

	Cat. No.	Description	Max. Lamp Rating
 ** 	244B-WH	Conical Black Baffle	50W PAR30
	244W-WH	Conical White Baffle	
 ** 	247C-WH	Cone - Clear Alzak®	75W PAR30, 65W BR30
	247G-WH	Cone - Gold Alzak®	
	247B-WH	Cone - Black Alzak®	
	247HZ-WH	Cone - Haze	
	247WHZ-WH	Cone - Wheat Haze	
	250-WH	Open Frame	65W BR30
	250-SC	Open Frame	
	250-ABZ	Open Frame	
	228-WH	R20 Regressed Eyeball	50W PAR20/R20
	229-WH	BR30 Regressed Eyeball	75W PAR30L, 65W BR30
	229-SC	BR30 Regressed Eyeball	
	229-ABZ	BR30 Regressed Eyeball	
	229-BL	BR30 Regressed Eyeball	
	248W-WH	R20 Eyeball in White Baffle	50W PAR20/R20
	249B-WH	BR30 Eyeball in Black Baffle	75W PAR30L, 65W BR30
	249W-WH	BR30 Eyeball in White Baffle	
	XR30101WH	AVIO Square Gimbal Ring - White	75W PAR30
	XR30101BL	AVIO Square Gimbal Ring - Black	
	XR30101GP	AVIO Square Gimbal Ring - Graphite	
	XR30101SL	AVIO Square Gimbal Ring - Silver	
 	241-WH ♦	Drop Opal with Reflector	40W A19
	241-PW ♦	Shower/Closet Light	

Trim Size: 7 $\frac{3}{8}$ " O.D. (except Cat. Nos. 228, 229, and 241 series - 8" O.D.).

Trim Finish: ABZ - Classic Aged Bronze, BL - Black, GP - Graphite,
PW - Plastic White (Polycarbonate material shower trim), SC - Satin Chrome, SL - Silver, WH - White.
Alzak is a registered trademark of Alcoa Corp.

Note: In Canada when insulation is present, Type IC fixtures must be used.

 JUNO IC housings meet IECC Energy Code requirements per ASTM E283.
Air-Loc® rated trims are pre-gasketed for minimum air leakage with IC housings.

♦ UL Listed for use in wet location.

** NOTE: TR6 Trim Ring compatible with 244, 247 trims.



1300 S. Wolf Road • Des Plaines, IL 60018 • Phone (847) 827-9880 • Fax (847) 827-2925
220 Chrysler Drive • Brampton, Ontario • Canada L6S 6B6 • Phone (905) 792-7335 • Fax (905) 792-0064
Visit us at www.junolightinggroup.com

Printed in U.S.A. ©2016 Acuity Brands Lighting, Inc.