

Jacobs® Chucks

CHUCK

Jacobs® chucks, high precision tool holders, arbors, and related accessories have made Jacobs the leading brand of precision tool holding and work holding devices in the world. For more than 100 years, superior grip and accuracy have made Jacobs the industry leader, with Jacobs technology applied to everything from sophisticated CNC machining centers to cordless portable drills. Our commitment to excellence and innovation and continued investment in research and development provide us with the ability to maintain this leadership position.

HAND-TITE® KEYLESS CHUCKS



- Split Bite Jaw increases grip over standard bite chucks by providing more contact with the bit
- Precision Operation meets or exceeds stringent DIN run-out and dimensional specifications
- Material and surface finish combinations result in increased comfort and performance
- Anti-lock Nut prevents chuck from locking open
- Hammerlock® positive locking mechanism prevents loosening in hammer and other high vibration applications
- Provides high mechanical advantage to convert hand tightening torque into superior bit gripping force
- Constructed of high performance material to maximize durability and performance

MULTI-CRAFT KEYED CHUCKS



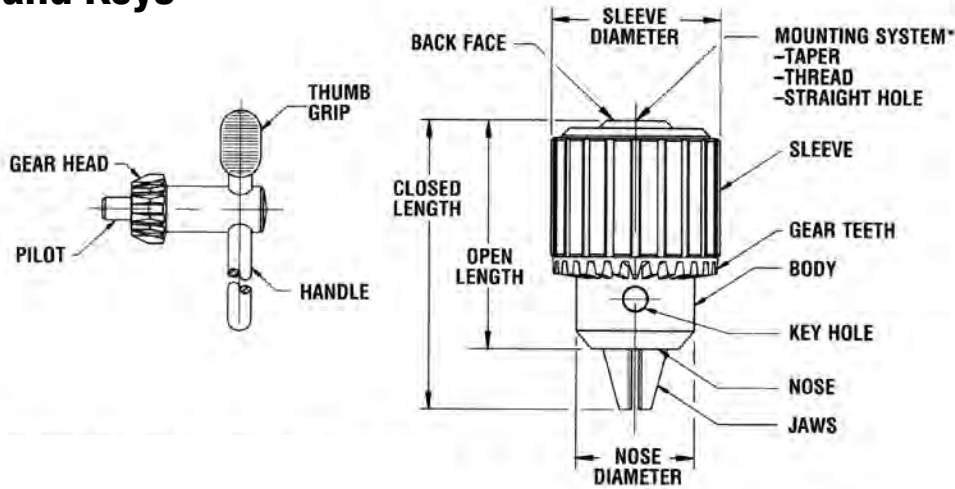
- Most popular chuck sold in the world
- Constructed of high quality materials for lasting life and performance
- Through-hardened jaws for hard, wear-resistant gripping surfaces
- Time-tested design normally found only in industrial-grade chucks

17

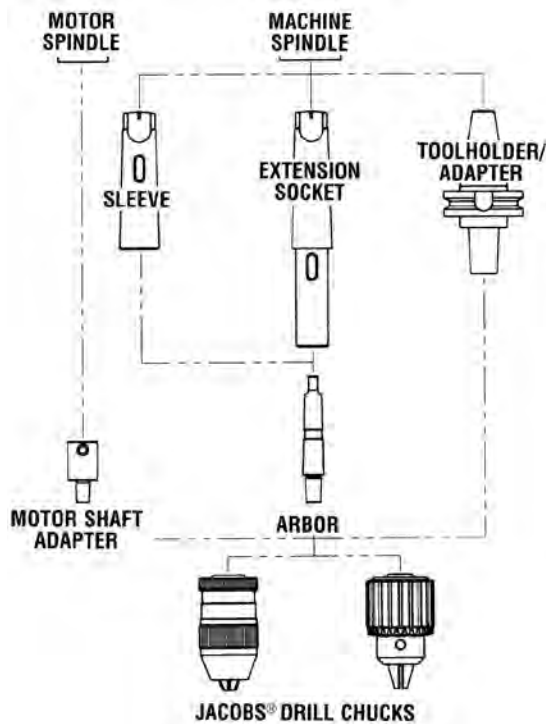
JACOBS CHUCKS

NOMENCLATURE

Chucks and Keys



Tool Holders



TOOL AND WORK HOLDER DEFINITIONS

ARBOR: Chuck mounting device used to adapt standardized chuck mounts to various machine spindle tapers. Arbors are also used to adapt mounts to other rotating devices such as machine spindles and lathes.

SLEEVE: Adapter for arbors when the machine spindle requires a larger taper than is available on the arbor.

EXTENSION SOCKET: Adapting device which increases effective spindle length and provides more flexibility when adapting to various taper sizes.

CENTERS: Support device for a workpiece when unusually long items or extreme accuracy are important. Available generally as rotating (“live”) and stationary (“dead”) designs.

Chuck and Accessory Removal Tools



REMOVAL TOOL DEFINITIONS

EJECTING DRIFT: Hardened steel accessory used to disassemble self-holding taper components.

WEDGES: Tapered steel plates used in pairs to disassemble chucks from arbors and spindles.

Jacobs® Hand-Tite® Keyless Drill Chucks

- Split Bite Jaw: Increases Grip Over Standard Bite Chucks By Providing More Contact with the Bit
- Superior Gripping Force: Provides High Mechanical Advantage to Convert Hand Tightening Torque Into Superior Bit Gripping Force
- Hammerlock® Mechanism: Positive Locking Mechanism Prevents Loosening in Hammer and Other High Vibration Applications
- Anti-Lock Nut: Prevents Chuck From Locking Open
- Versatility: Models Available to Fit All 10mm (3/8") and 13mm (1/2") Variable Speed Corded and Cordless Portable Drills
- Precision Operation: Meet or Exceed Stringent DIN Run-Out and Dimensional Specifications
- Ergonomic Design: Material and Surface Finish Combinations Result in Increased Comfort and Performance
- Rugged Construction: Constructed of High Performance Material to Maximize Durability and Performance



Cat. No.	UPC No.	Packaging	Model No.	Min. Capacity	Max. Capacity	Mount	Closed Length	Sleeve Dia.	Product Weight	Shelf Pack Qty.
30354	095456303546	Boxed	510-2H	0.040 in	0.375 in	3/8-24	2.00 in	1.68 in	0.50 lb	1
31037D	095456310377	Boxed	513-2M	0.062 in	0.500 in	3/8-24	2.9 in	1.68 in	0.63 lb	1
31038D	095456310384	Boxed	513-2M	0.062 in	0.500 in	1/2-20	2.9 in	1.68 in	0.70 lb	1

Jacobs® Professional Duty Chucks

- Industrial Quality
- Through-Hardened Jaws Provide Hard, Durable Gripping Surfaces
- One-Piece Sleeve Eliminates Crack Between Driving Teeth Often Found in Other Designs
- Fluted Sleeve Finish
- Each Chuck 100% Inspected for Performance and Precision



Cat. No.	UPC No.	Packaging	Model No.	Min. Capacity	Max. Capacity	Mount	Key No.	Closed Length	Open Length	Sleeve Dia.	Product Weight	Shelf Pack Qty.
31052D	095456310520	Boxed	26BA-1/2	0.063 in	0.5 in	1/2-20	KK	3 in	2.3 in	1.72 in	1.38 lb	1
30246D	095456302464	Boxed	41BA-3/8	0.063 in	0.375 in	3/8-24	K30	2.42 in	1.89 in	1.42 in	0.31 lb	1

Jacobs® Multi-Craft® Drill Chuck

- Offered in 1/4", 3/8" and 1/2" Capacities
- Through-Hardened Jaws for Hard, Wear Resistant Gripping Surfaces



Cat. No.	UPC No.	Packaging	Min. Capacity	Max. Capacity	Mount	Key No.	Closed Length	Open Length	Sleeve Dia.	Product Weight	Shelf Pack Qty.
30243D	095456302433	Boxed	0.028 in	0.25 in	3/8-24	KG1	2.02 in	1.575 in	1.13 in	0.30 lb	1
30247D	095456302471	Boxed	0.062 in	0.375 in	3/8-24	KG1	2.312 in	1.85 in	1.22 in	0.70 lb	1
30598	095456305984	Boxed	0.078 in	0.5 in	3/8-24	KK	2.855 in	2.25 in	1.61 in	0.65 lb	1
30602	095456306028	Boxed	0.078 in	0.5 in	1/2-20	KK	2.855 in	2.25 in	1.61 in	0.16 lb	1