

# Jacobs® Chucks

CHUCK

Jacobs® chucks, high precision tool holders, arbors, and related accessories have made Jacobs the leading brand of precision tool holding and work holding devices in the world. For more than 100 years, superior grip and accuracy have made Jacobs the industry leader, with Jacobs technology applied to everything from sophisticated CNC machining centers to cordless portable drills. Our commitment to excellence and innovation and continued investment in research and development provide us with the ability to maintain this leadership position.

## HAND-TITE® KEYLESS CHUCKS



- Split Bite Jaw increases grip over standard bite chucks by providing more contact with the bit
- Precision Operation meets or exceeds stringent DIN run-out and dimensional specifications
- Material and surface finish combinations result in increased comfort and performance
- Anti-lock Nut prevents chuck from locking open
- Hammerlock® positive locking mechanism prevents loosening in hammer and other high vibration applications
- Provides high mechanical advantage to convert hand tightening torque into superior bit gripping force
- Constructed of high performance material to maximize durability and performance

## MULTI-CRAFT KEYED CHUCKS



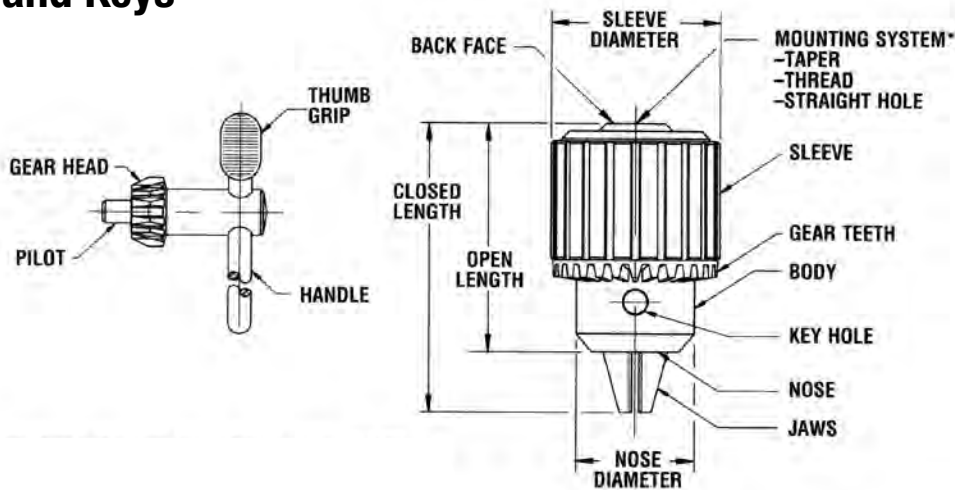
- Most popular chuck sold in the world
- Constructed of high quality materials for lasting life and performance
- Through-hardened jaws for hard, wear-resistant gripping surfaces
- Time-tested design normally found only in industrial-grade chucks

17

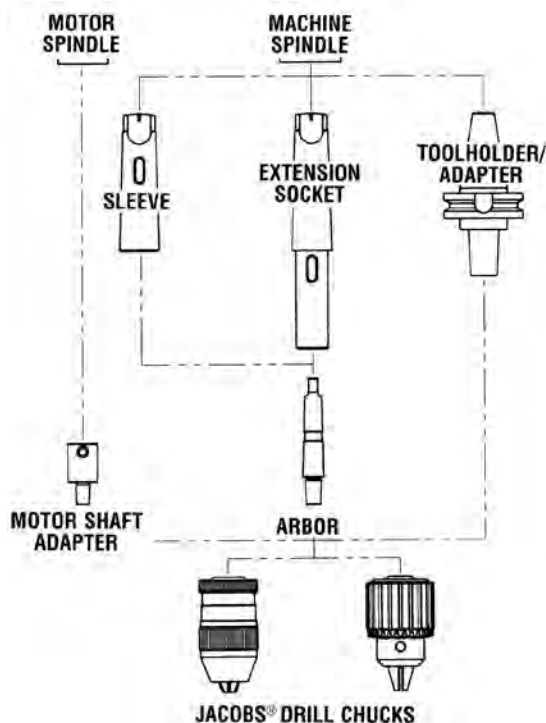
JACOBS CHUCKS

## NOMENCLATURE

### Chucks and Keys



### Tool Holders



#### TOOL AND WORK HOLDER DEFINITIONS

**ARBOR:** Chuck mounting device used to adapt standardized chuck mounts to various machine spindle tapers. Arbors are also used to adapt mounts to other rotating devices such as machine spindles and lathes.

**SLEEVE:** Adapter for arbors when the machine spindle requires a larger taper than is available on the arbor.

**EXTENSION SOCKET:** Adapting device which increases effective spindle length and provides more flexibility when adapting to various taper sizes.

**CENTERS:** Support device for a workpiece when unusually long items or extreme accuracy are important. Available generally as rotating (“live”) and stationary (“dead”) designs.

### Chuck and Accessory Removal Tools



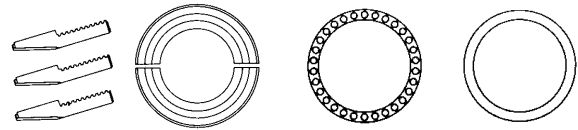
#### REMOVAL TOOL DEFINITIONS

**EJECTING DRIFT:** Hardened steel accessory used to disassemble self-holding taper components.

**WEDGES:** Tapered steel plates used in pairs to disassemble chucks from arbors and spindles.

## Jacobs® Replacement Parts - Service Kits (Older Models)

- For the Older Models Which Do Not Incorporate the Service Kit Marking on the Chuck Nose
- Kit Includes Jaws, Nut, Caged Bearing, and Thrust Washer



Cat. No.	UPC No.	Packaging	Description	Model No.	Product Weight	Shelf Pack Qty.
33416	095456334168	Bagged	Chuck Service Kit for Model 8-1/2N	8-1/2N	0.14 lb	1
33417	095456334175	Bagged	Chuck Service Kit for Model 11N	11N	0.20 lb	1
33418D	095456334182	Bagged	Chuck Service Kit for Model 14N	14N	0.45 lb	1
33419D	095456334199	Bagged	Chuck Service Kit for Model 16N	16N	0.66 lb	1
33420D	095456334205	Bagged	Chuck Service Kit for Model 18N	18N	0.90 lb	1
33421	095456334212	Bagged	Chuck Service Kit for Model 20N	20N	1.68 lb	1

## Jacobs® Plain Bearing Taper Mounted - Heavy Duty Model

- Jaws Center-Ground for Absolute Straightness and Alignment
- One-Piece Sleeve Eliminates Crack Between Driving Teeth Often Found in Other Designs
- Through-Hardened Sleeve Teeth, Plus Hardened Nose and Keyholes Provide Outstanding Wear Resistance
- Each Chuck 100% Inspected for Performance and Precision
- T.I.R. .004" Maximum at Half Capacity
- KD Models Have Keyed Drive Feature
- PD Models Have Pin Drive Feature
- 34-33C Has Smooth Sleeve with Locking Collar



Cat. No.	UPC No.	Packaging	Model No.	Min. Capacity	Max. Capacity	Mount	Key No.	Closed Length	Open Length	Sleeve Dia.	Product Weight	Shelf Pack Qty.
6223	095456062238	Boxed	3A	0.125 in	0.625 in	3JT	K3	3.81 in	2.87 in	2.30 in	2.10 lb	1
6228	095456062283	Boxed	3KD	0.125 in	0.625 in	3JT	K3	4.06 in	3.12 in	2.29 in	2.20 lb	1
6230	095456062306	Boxed	3PD	0.125 in	0.625 in	3JT	K3	4.06 in	3.12 in	2.29 in	2.20 lb	1
14442	095456144422	Boxed	34-02	0.040 in	0.500 in	2JT	K3	3.52 in	2.74 in	2.04 in	1.75 lb	1
6295D	095456062955	Boxed	34-06	0.040 in	0.500 in	6JT	K3	3.52 in	2.74 in	2.04 in	1.70 lb	1
14445	095456144453	Boxed	34-33	0.040 in	0.500 in	33JT	K3	3.52 in	2.74 in	2.04 in	1.72 lb	1
14451	095456144514	Boxed	34-33C	0.040 in	0.500 in	33JT	K3C	3.71 in	2.93 in	2.00 in	1.63 lb	1
6309D	095456063099	Boxed	36	0.18 in	0.800 in	3JT	K4	4.06 in	3.14 in	2.54 in	3.02 lb	1