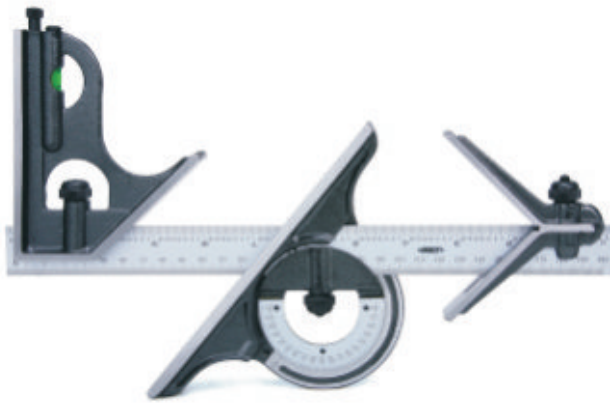
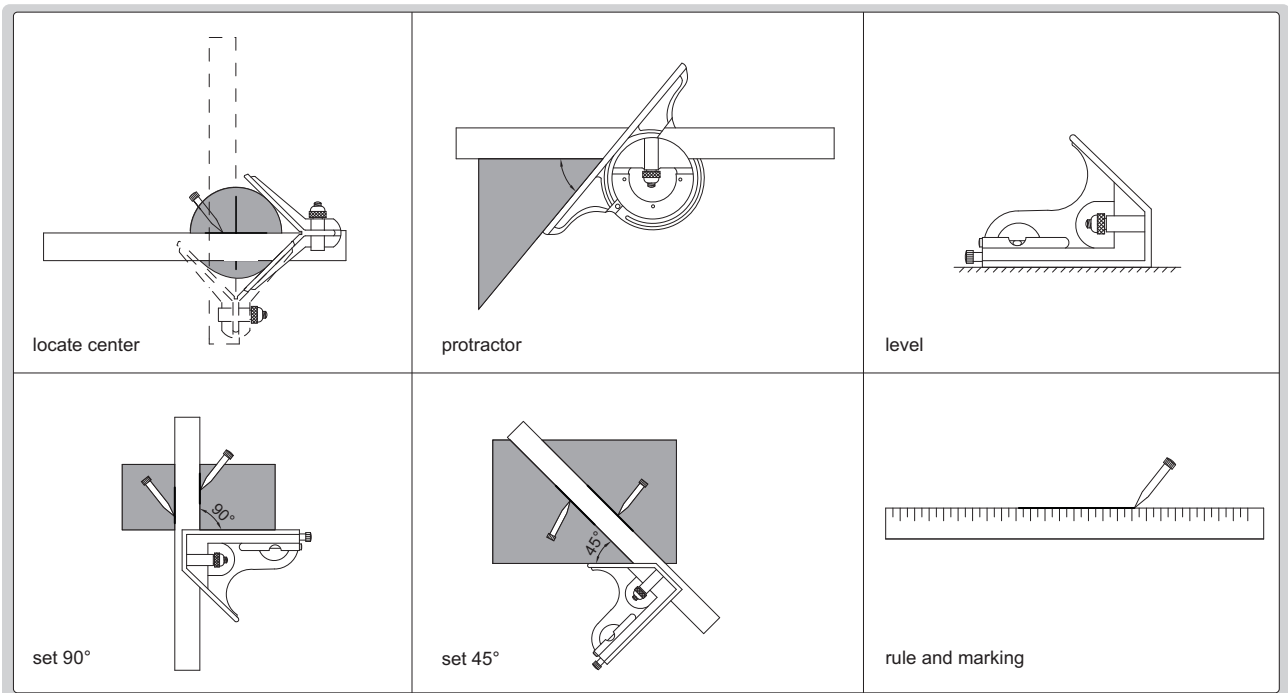
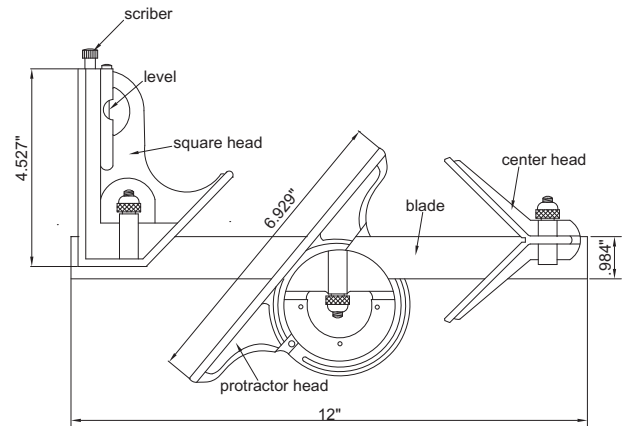


COMBINATION SQUARE SET



2278-180



- Center head:
To locate center of round workpieces
Accuracy: ± 0.006 "
- Protractor head:
To set the blade at desired angle to an edge of a workpiece, and can be used to measure angles
Range: 0-180°
Accuracy: ± 7 min.
- Square head:
To set the blade at 90° or 45° to an edge of a workpiece
Accuracy: ± 8 min for 90° square, ± 10 min for 45° square
- Optional accessory: rigid rule (order no. 7113-300A/450A, EDP# are shown on page 94)
- Supplied in fitted storage case

| Order No. | EDP No. | Blade Range | Blade Graduation |
|-----------|---------|-------------|--|
| 2278-180 | 816324 | 12"/300mm | 1/32" and 0.5mm on front face, 1/64" and 1mm on back face |
| 2278-180E | 283344 | 12" | 1/8" and 1/16" on front face, 1/32" and 1/64" on back face |