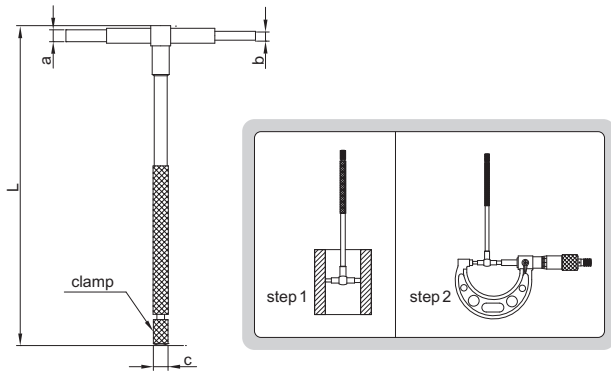


## TELESCOPING GAGE SET



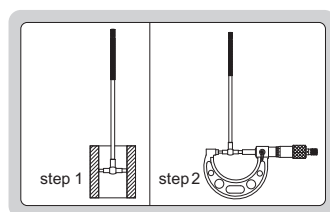
4206-1

Range	L	a	b	c
5/16 ~ 1/2"	4.528"	.154" DIA	.114" DIA	.244" DIA
1/2 ~ 3/4"	4.528"	.209" DIA	.150" DIA	.244" DIA
3/4 ~ 1-1/4"	4.528"	.209" DIA	.150" DIA	.244" DIA
1-1/4 ~ 2-1/8"	5.394"	.299" DIA	.240" DIA	.283" DIA
2-1/8 ~ 3-1/2"	5.394"	.299" DIA	.240" DIA	.283" DIA
3-1/2 ~ 6"	5.394"	.299" DIA	.240" DIA	.283" DIA

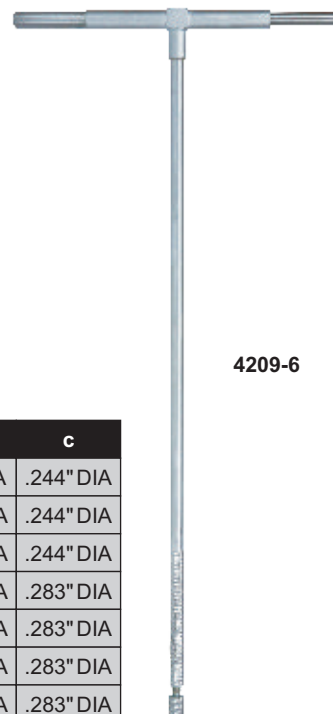
Order No.	EDP No.	Total Range	Gages Included
4206-1	816202	5/16 ~ 6"	5/16 ~ 1/2", 1/2 ~ 3/4", 3/4 ~ 1-1/4" 1-1/4 ~ 2-1/8", 2-1/8 ~ 3-1/2", 3-1/2 ~ 6"

- 6 gages per set
- For quick measurement of inside diameter of holes and width of slots
- Satin chrome finish
- Supplied in storage pouch

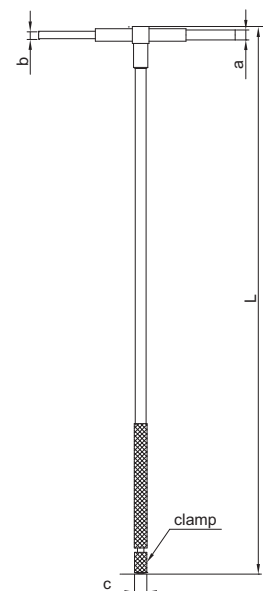
## LONG HANDLE TELESCOPING GAGE



- For quick measurement of inside diameter of deep holes and width of slots
- Satin chrome finish
- Supplied in storage pouch



4209-6



Order No.	EDP No.	Range	L	a	b	c
4209-1	283589	5/16 ~ 1/2"	9.843"	.154" DIA	.114" DIA	.244" DIA
4209-2	283590	1/2 ~ 3/4"	9.843"	.209" DIA	.150" DIA	.244" DIA
4209-3	283591	3/4 ~ 1-1/4"	9.843"	.209" DIA	.150" DIA	.244" DIA
4209-4	283592	1-1/4 ~ 2-1/8"	11.811"	.299" DIA	.240" DIA	.283" DIA
4209-5	283593	2-1/8 ~ 3-1/2"	11.811"	.299" DIA	.240" DIA	.283" DIA
4209-6	283594	3-1/2 ~ 6"	11.811"	.299" DIA	.240" DIA	.283" DIA
4209-7	283595	4-3/4 ~ 8"	11.811"	.299" DIA	.240" DIA	.283" DIA