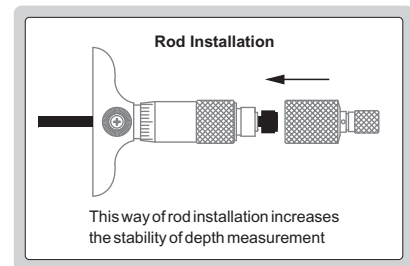
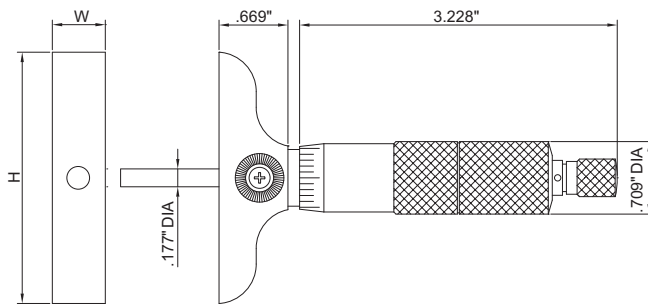


DEPTH MICROMETER



3241-4



- Graduation: .001"
- Micrometer head accuracy: $\pm .00012$ "
- Rod accuracy: $\pm [.001 + .0005(L/3)]$ ", L is the measuring range in inch
- Rods with flat end
- Ratchet stop
- Supplied in fitted storage case

Base: HxW=3.996"x.669"

Order No.	EDP No.	Range	Rods
3241-1	281921	0-1"	1pc
3241-4	281923	0-4"	4pcs
3241-6	281924	0-6"	6pcs
3241-12	281926	0-12"	12pcs

Base: HxW=2.480"x.669"

Order No.	EDP No.	Range	Rods
3241-B1	281927	0-1"	1pc
3241-B4	281929	0-4"	4pcs