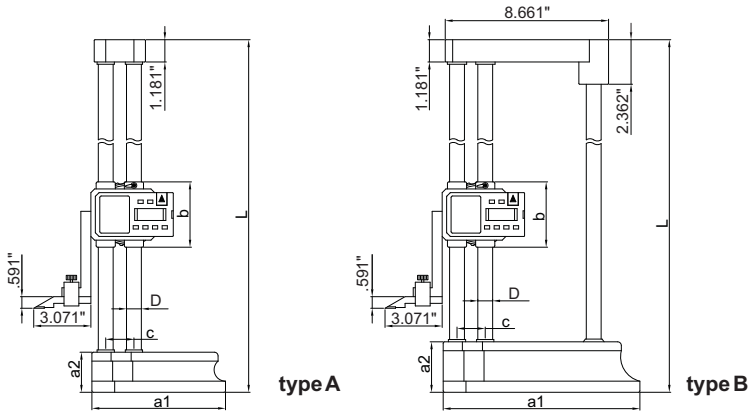


ELECTRONIC HEIGHT GAGE

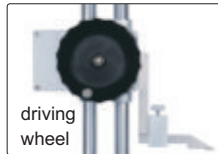


1151-300

1151-1000

NEW SIZES!

- Resolution: .001"/0.01mm
- Buttons: on/off, zero, inch/mm, ABS/INC, preset +, preset -, set
- ABS/INC is for absolute and incremental measurement
- Carbide tipped scribe
- Made of stainless steel (except the base)
- SR44 or LR44 battery
- Data output
- With driving wheel
- Optional accessory: SPC cable (order no. 7301-SPC2)
- Supplied in fitted storage case

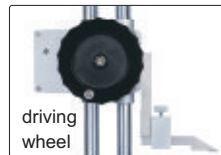


driving wheel

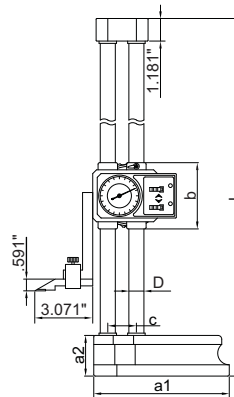
OrderNo.	EDP No.	Range	Type	Accuracy	L	a1	a2	b	c	D
1151-300	816100	0-12"/0-300mm	A	±.0016"	18.701"	5.315"	1.693"	3.307"	1.299"	.591" DIA
1151-450	816102	0-18"/0-450mm	A	±.002"	25.984"	7.087"	2.126"	3.465"	1.496"	.787" DIA
1151-600	816104	0-24"/0-600mm	A	±.002"	31.890"	7.087"	2.126"	3.465"	1.496"	.787" DIA
1151-1000	816106	0-40"/0-1000mm	B	±.0028"	48.425"	10.433"	2.677"	3.465"	1.496"	.787" DIA

DIAL HEIGHT GAGE

- Dial indicator graduation: .001"
- One counter reads in the plus direction and the other in the minus direction, so incremental measurements can be made in either direction
- Carbide tipped scribe
- Made of stainless steel (except the base)
- With driving wheel
- Supplied in fitted storage case



driving wheel



1351-12

OrderNo.	EDP No.	Range	Accuracy	L	a1	a2	b	c	D
1351-12	280769	0-12"	±.0016"	18.701"	5.315"	1.693"	3.307"	1.299"	.591" DIA
1351-18	280770	0-18"	±.002"	25.984"	7.087"	2.126"	3.465"	1.496"	.787" DIA
1351-24	280772	0-24"	±.002"	31.890"	7.087"	2.126"	3.465"	1.496"	.787" DIA