
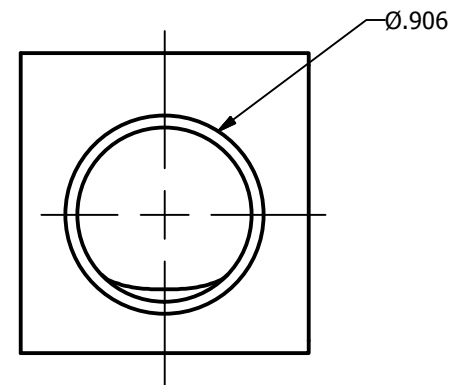
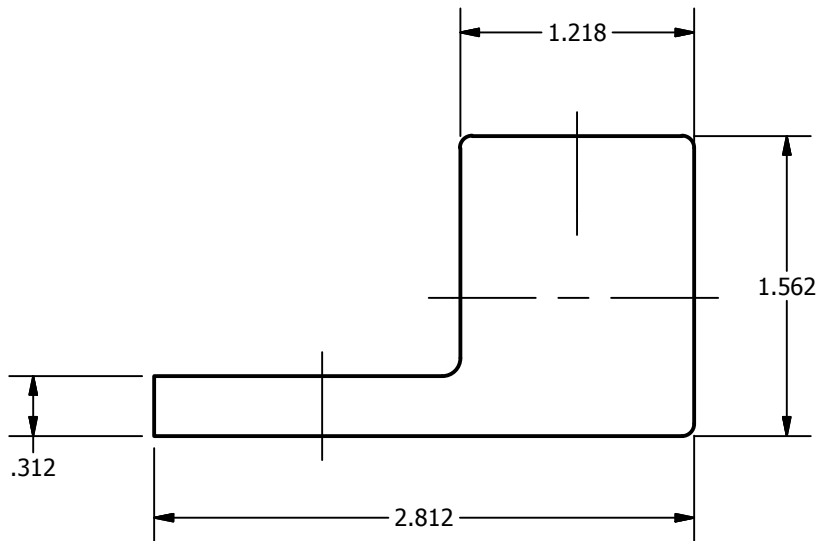
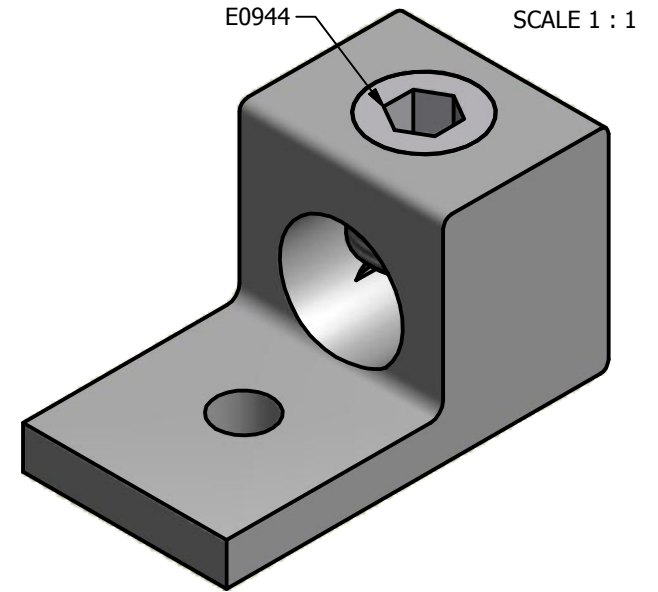
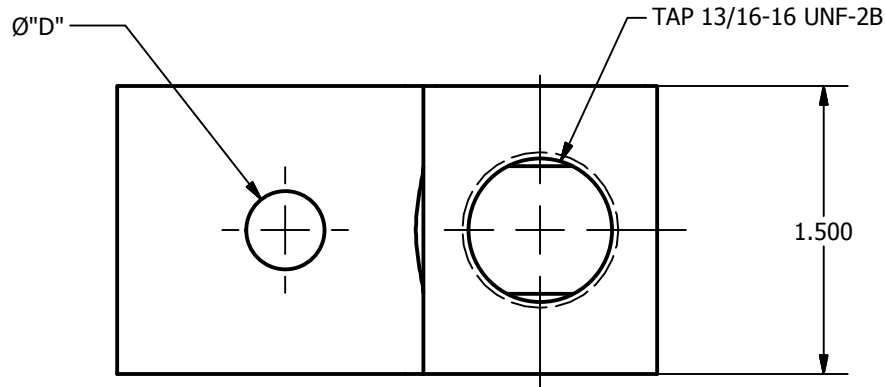








SCREW: E0944	MATERIAL: ALUMINUM	REV: AC		
CAT. NO.: TA-500	PLATING: EL-TIN	DRAWN BY: NN		
INFORMATION SHEET: FORM 1	MARKING: SEE CHART	DATE: 12/11/2007	SIZE: A	800-776-9775 www.ilSCO.com
			DWG. NO. D0982	
			SHEET: 1 OF 1	



"D" DIM.	MARKING
.406	ILSCO, D982, TA-500, 500MCM-4, AL9CU  
.406	ILSCO, D982, TA-500, 500MCM-4, CHD Z-20, AL9CU  
.516	ILSCO, D982, TA-500, 500MCM-4, AL9CU  
.531	ILSCO, D982, TA-500, 500MCM-4, AL9CU 