



SCREW: SEE CHART  
 CAT. NO.: TA-2, TA-2-B2  
 INFORMATION SHEET: FORM 1

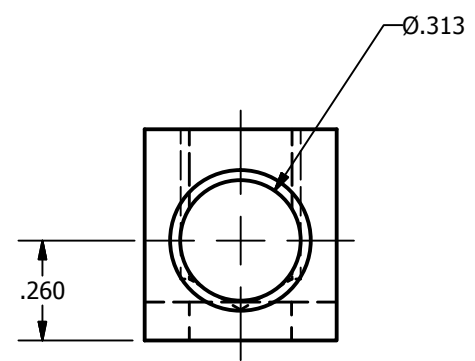
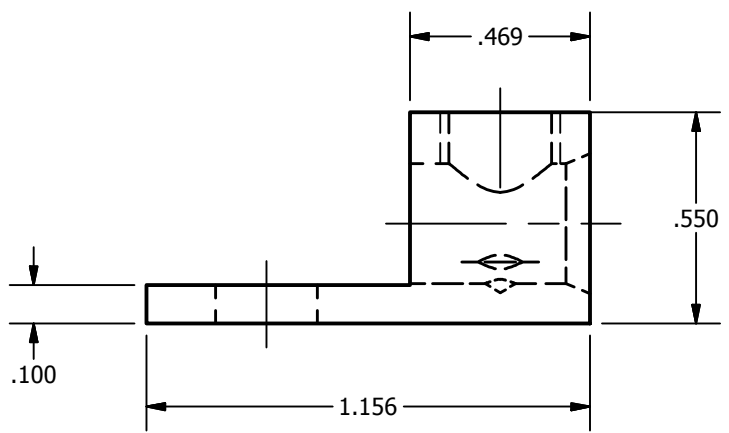
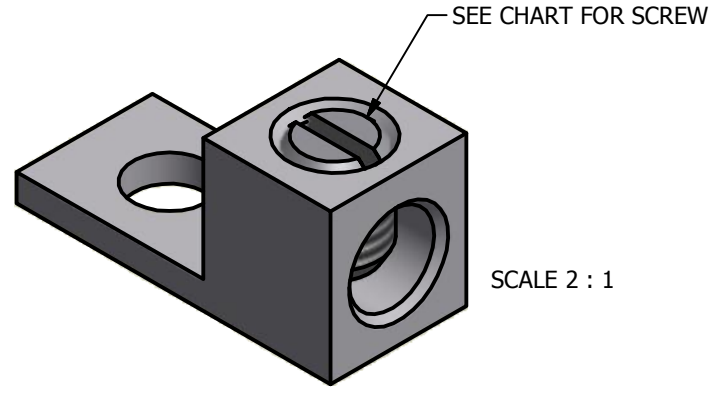
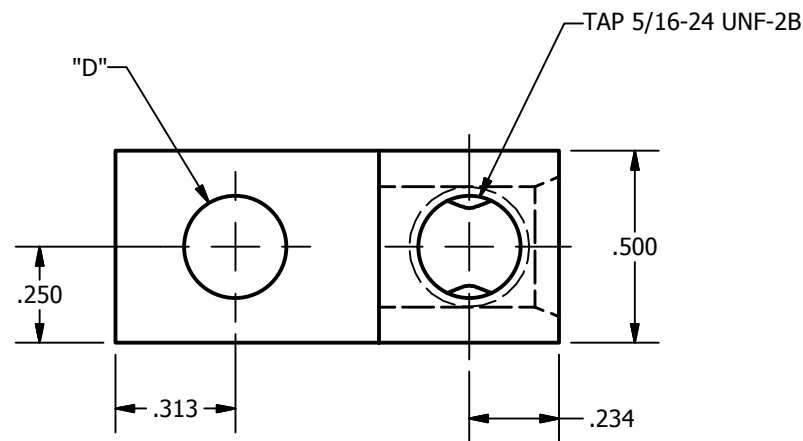
MATERIAL: ALUMINUM  
 PLATING: EL-TIN  
 MARKING: ILSCO, TA-2, 2-14, AL9CU,  

REV: AJ  
 DRAWN BY: NN  
 DATE: 12/7/2007

SCALE: 2:1  
 SIZE: A

**ILSCO**  
*connections matter*  
 800-776-9775 www.ilsco.com

DWG. NO. **D0980**  
 SHEET: 1 OF 1



SCREW	"D"
E0309C92Z	.266
E0309C92Z	.312
E0309C01H	.266
E0910C00T	.266
E0309C92Z	.266