
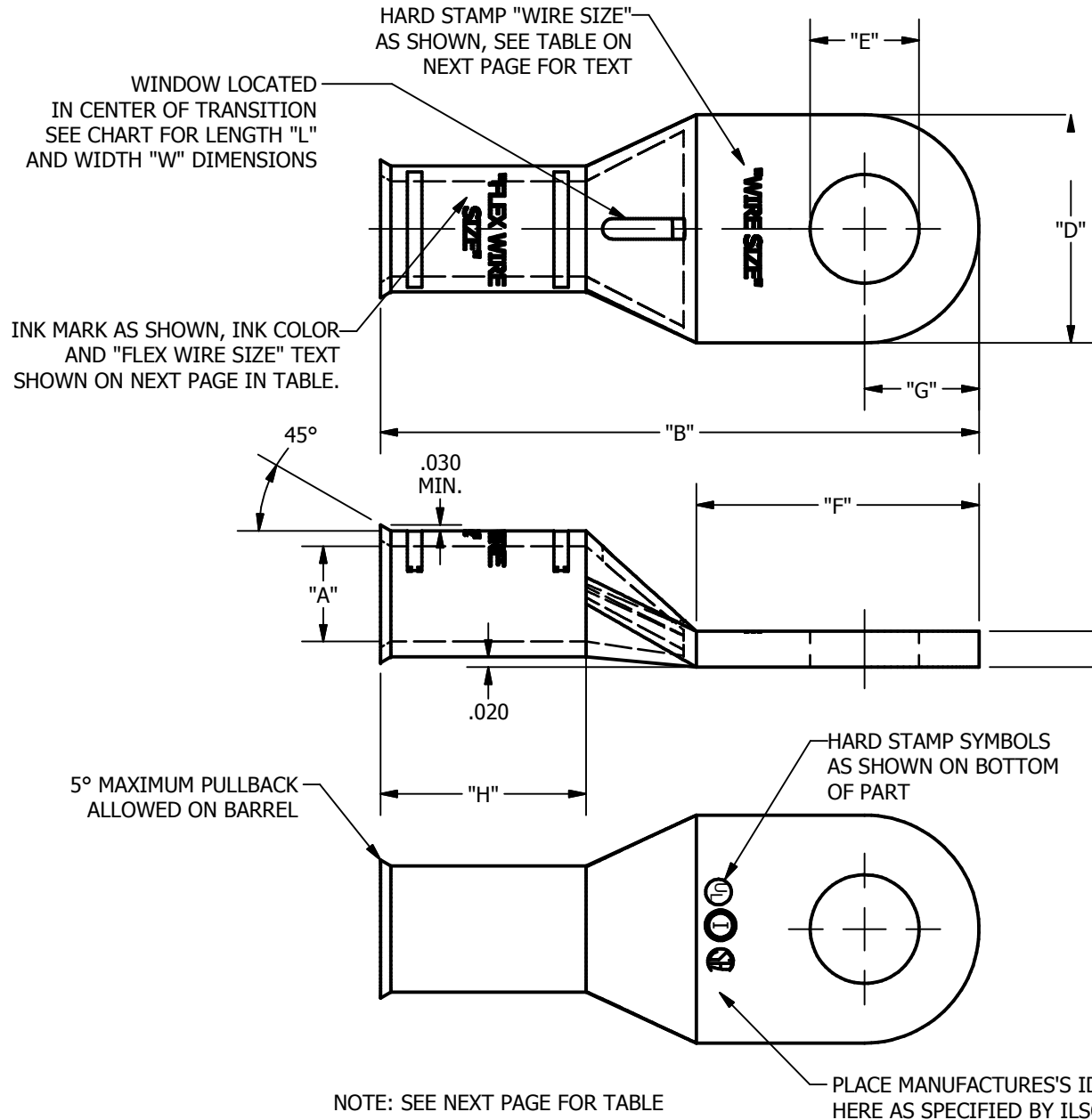
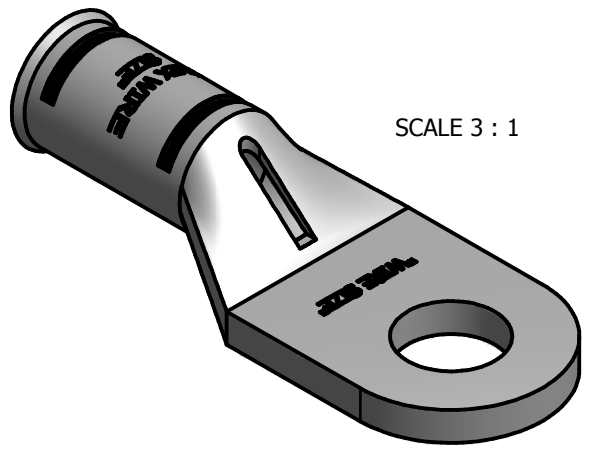


SCREW:	MATERIAL: COPPER ASTM B-133	TOLERANCES-UNLESS OTHERWISE SPECIFIED 2 PL. DEC. TRUE C.L. 3 PL. DEC. ANGLES		DWG. NO. CCL-R		
CAT. NO.:	PLATING: EL-TIN	DRAWN BY: NN	SCALE:	SHEET 1 OF 3		
MASS:	MARKING: SEE DRAWING	DATE: 3/10/2008	SIZE: A			
SURFACE AREA: <sup>2</sup>		CELL:	REV.	DESCRIPTION		
STUFFER SHT: FORM 155			0			



CAT #: SEE NEXT PAGE



NOTE: SEE NEXT PAGE FOR TABLE

MANUFACTURING SPECS													
ILSCO #	WIRE SIZE	LENGTH OF	OVERALL LENGTH	PAD THICKNESS	PAD WIDTH	HOLE SIZE	PAD LENGTH (MIN)	TIP TO HOLE CENTER	BARREL LENGTH (MIN)	WIDTH OF WINDOW	LENGTH OF WINDOW	FLEX WIRE SIZE	WIDTH OF WIND
		A	B	C	D	E	F	G	H	W±.020	L±.030		
CCL-8-10	8	.176/196	1.130/1.200	.06/.08	.420/470	.200/224	.550	.215/255	.400			8 AWG/FLEX	RED
CRA-8-10M	8	.176/196	1.130/1.200	.06/.08	.420/470	.220/224	.550	.215/255	.400			8 AWG/FLEX	RED
CCL-8-14	8	.176/196	1.130/1.200	.06/.08	.420/470	.264/288	.550	.215/255	.400			8 AWG/FLEX	RED
CRA-8-14M	8	.176/196	1.130/1.200	.06/.08	.420/470	.264/288	.550	.215/255	.400	.070	.126	8 AWG/FLEX	RED
CCL-8-516	8	.176/196	1.270/1.340	.06/.08	.580/630	.326/350	.690	.295/335	.400	.075	.125	8 AWG/FLEX	RED
CRA-8-516M	8	.176/196	1.270/1.340	.06/.08	.580/630	.326/350	.690	.295/335	.400	.075	.125	8 AWG/FLEX	RED
CCL-8-38	8	.176/196	1.270/1.340	.06/.08	.580/630	.390/414	.690	.295/335	.400	.072	.127	8 AWG/FLEX	RED
CRA-8-38M	8	.176/196	1.270/1.340	.06/.08	.580/630	.390/414	.690	.295/335	.400	.072	.127	8 AWG/FLEX	RED
CCL-8-12	8	.176/196	1.445/1.515	.06/.08	.739/790	.510/534	.830	.375/415	.400	.076	.153	8 AWG/FLEX	RED
CRA-8-12M	8	.176/196	1.445/1.515	.06/.08	.739/790	.510/534	.830	.375/415	.400	.076	.153	8 AWG/FLEX	RED
CCL-6-10	6	.222/242	1.235/1.305	.07/.09	.420/470	.200/224	.550	.215/255	.425	.061	.230	6 AWG/FLEX	BLUE
CRA-6-10M	6	.222/242	1.235/1.305	.07/.09	.420/470	.200/224	.550	.215/255	.425	.061	.230	6 AWG/FLEX	BLUE
CCL-6-14	6	.222/242	1.235/1.305	.07/.09	.420/470	.264/288	.550	.215/255	.425	.070	.167	6 AWG/FLEX	BLUE
CRA-6-14M	6	.222/242	1.235/1.305	.07/.09	.420/470	.264/288	.550	.215/255	.425	.070	.167	6 AWG/FLEX	BLUE
CCL-6-516	6	.222/242	1.375/1.445	.07/.09	.580/630	.326/350	.690	.295/335	.425	.075	.137	6 AWG/FLEX	BLUE
CRA-6-516M	6	.222/242	1.375/1.445	.07/.09	.580/630	.326/350	.690	.295/335	.425	.075	.137	6 AWG/FLEX	BLUE
CCL-6-38	6	.222/242	1.375/1.445	.07/.09	.580/630	.390/414	.690	.295/335	.425	.075	.138	6 AWG/FLEX	BLUE
CRA-6-38M	6	.222/242	1.375/1.445	.07/.09	.580/630	.390/414	.690	.295/335	.425	.075	.138	6 AWG/FLEX	BLUE
CCL-6-516M	6	.222/242	1.375/1.445	.07/.09	.580/630	.390/414	.690	.295/335	.425	.075	.138	6 AWG/FLEX	BLUE
CRA-6-516M	6	.222/242	1.375/1.445	.07/.09	.580/630	.390/414	.690	.295/335	.425	.075	.138	6 AWG/FLEX	BLUE
CCL-6-12	6	.222/242	1.515/1.585	.07/.09	.739/780	.510/534	.830	.375/415	.425			6 AWG/FLEX	BLUE
CRA-6-12M	6	.222/242	1.515/1.585	.07/.09	.739/780	.510/534	.830	.375/415	.425			6 AWG/FLEX	BLUE
CCL-4-10	4	.276/296	1.465/1.535	.07/.09	.500/550	.200/224	.650	.255/295	.475	.060	.240	4 AWG/FLEX	GRAY
CRA-4-10M	4	.276/296	1.465/1.535	.07/.09	.500/550	.200/224	.650	.255/295	.475	.060	.240	4 AWG/FLEX	GRAY
CCL-4-14	4	.276/296	1.465/1.535	.07/.09	.500/550	.264/288	.650	.255/295	.475			4 AWG/FLEX	GRAY
CRA-4-14M	4	.276/296	1.465/1.535	.07/.09	.500/550	.264/288	.650	.255/295	.475			4 AWG/FLEX	GRAY
CCL-4-516	4	.276/296	1.465/1.535	.07/.09	.500/550	.326/350	.650	.255/295	.475			4 AWG/FLEX	GRAY
CRA-4-516M	4	.276/296	1.465/1.535	.07/.09	.500/550	.326/350	.650	.255/295	.475			4 AWG/FLEX	GRAY
CCL-4-38	4	.276/296	1.495/1.565	.07/.09	.600/650	.390/414	.695	.305/345	.475			4 AWG/FLEX	GRAY
CRA-4-38M	4	.276/296	1.495/1.565	.07/.09	.600/650	.390/414	.695	.305/345	.475			4 AWG/FLEX	GRAY
CCL-4-12	4	.276/296	1.645/1.715	.07/.09	.739/790	.510/534	.830	.375/415	.475	.065	.161	4 AWG/FLEX	GRAY
CRA-4-12M	4	.276/296	1.645/1.715	.07/.09	.739/790	.510/534	.830	.375/415	.475	.065	.161	4 AWG/FLEX	GRAY
CCL-2-14	2	.326/346	1.585/1.655	.09/10	.590/640	.264/288	.700	.305/345	.525			2 AWG / 3 FLEX	BROWN
CRA-2-14M	2	.326/346	1.585/1.655	.09/10	.590/640	.264/288	.700	.305/345	.525			2 AWG / 3 FLEX	BROWN
CCL-2-516	2	.326/346	1.585/1.655	.09/10	.590/640	.326/350	.700	.305/345	.525			2 AWG / 3 FLEX	BROWN
CRA-2-516M	2	.326/346	1.585/1.655	.09/10	.590/640	.326/350	.700	.305/345	.525			2 AWG / 3 FLEX	BROWN
CCL-2-12	2	.326/346	1.715/1.785	.10/12	.730/780	.510/534	.830	.375/415	.525	.076	.272	2 AWG / 3 FLEX	BROWN
CRA-2-12M	2	.326/346	1.715/1.785	.10/12	.730/780	.510/534	.830	.375/415	.525	.076	.272	2 AWG / 3 FLEX	BROWN
CCL-1-14	1	.350/370	1.685/1.755	.09/11	.630/680	.264/288	.710	.315/355	.575	.075	.209	1 AWG / 2 FLEX	GREEN
CRA-1-14M	1	.350/370	1.685/1.755	.09/11	.630/680	.264/288	.710	.315/355	.575	.075	.209	1 AWG / 2 FLEX	GREEN
CCL-1-516	1	.350/370	1.685/1.755	.09/11	.630/680	.326/350	.710	.315/355	.575			1 AWG / 2 FLEX	GREEN
CRA-1-516M	1	.350/370	1.685/1.755	.09/11	.630/680	.326/350	.710	.315/355	.575			1 AWG / 2 FLEX	GREEN
CCL-1-38	1	.350/370	1.685/1.755	.09/11	.630/680	.390/414	.710	.315/355	.575	.075	.225	1 AWG / 2 FLEX	GREEN
CRA-1-38M	1	.350/370	1.685/1.755	.09/11	.630/680	.390/414	.710	.315/355	.575	.075	.225	1 AWG / 2 FLEX	GREEN
CCL-1-12	1	.350/370	1.795/1.865	.10/12	.730/780	.510/534	.830	.375/415	.575	.070	.160	1 AWG / 2 FLEX	GREEN
CRA-1-12M	1	.350/370	1.795/1.865	.10/12	.730/780	.510/534	.830	.375/415	.575	.070	.160	1 AWG / 2 FLEX	GREEN
CCL-1/0-14	1/0	.397/417	1.795/1.865	.10/12	.700/750	.264/288	.760	.365/405	.625	.070	.160	1/0 AWG / 1 FLEX	PINK
CRA-1/0-14M	1/0	.397/417	1.795/1.865	.10/12	.700/750	.264/288	.760	.365/405	.625	.070	.160	1/0 AWG / 1 FLEX	PINK
CCL-1/0-516	1/0	.397/417	1.795/1.865	.10/12	.700/750	.326/350	.760	.365/405	.625			1/0 AWG / 1 FLEX	PINK
CRA-1/0-516M	1/0	.397/417	1.795/1.865	.10/12	.700/750	.326/350	.760	.365/405	.625			1/0 AWG / 1 FLEX	PINK
CCL-1/0-38	1/0	.397/417	1.795/1.865	.10/12	.700/750	.390/414	.760	.365/405	.625	.076	.273	1/0 AWG / 1 FLEX	PINK
CRA-1/0-38M	1/0	.397/417	1.795/1.865	.10/12	.700/750	.390/414	.760	.365/405	.625	.076	.273	1/0 AWG / 1 FLEX	PINK
CCL-1/0-12	1/0	.397/417	1.865/1.935	.10/12	.800/850	.510/534	.860	.405/445	.625	.076	.360	1/0 AWG / 1 FLEX	PINK
CRA-1/0-12M	1/0	.397/417	1.865/1.935	.10/12	.800/850	.510/534	.860	.405/445	.625	.076	.360	1/0 AWG / 1 FLEX	PINK
CCL-2/0-14	2/0	.451/471	2.025/2.095	.10/12	.790/840	.264/288	.900	.405/445	.650	.075	.300	2/0 AWG / 1/0 FLEX	BLACK
CRA-2/0-14M	2/0	.451/471	2.025/2.095	.10/12	.790/840	.264/288	.900	.405/445	.650	.075	.300	2/0 AWG / 1/0 FLEX	BLACK
CCL-2/0-516	2/0	.451/471	2.025/2.095	.10/12	.790/840	.326/350	.900	.405/445	.650	.075	.310	2/0 AWG / 1/0 FLEX	BLACK
CRA-2/0-516M	2/0	.451/471	2.025/2.095	.10/12	.790/840	.326/350	.900	.405/445	.650	.075	.310	2/0 AWG / 1/0 FLEX	BLACK
CCL-2/0-38	2/0	.451/471	2.025/2.095	.10/12	.790/840	.390/414	.900	.405/445	.650	.075	.270	2/0 AWG / 1/0 FLEX	BLACK
CRA-2/0-38M	2/0	.451/471	2.025/2.095	.10/12	.790/840	.390/414	.900	.405/445	.650	.075	.270	2/0 AWG / 1/0 FLEX	BLACK
CCL-2/0-12	2/0	.451/471	2.025/2.095	.10/12	.790/840	.510/534	.900	.405/445	.650	.075	.253	2/0 AWG / 1/0 FLEX	BLACK
CRA-2/0-12M	2/0	.451/471	2.025/2.095	.10/12	.790/840	.510/534	.900	.405/445	.650	.075	.253	2/0 AWG / 1/0 FLEX	BLACK
CCL-3/0-14	3/0	.501/521	2.125/2.195	.11/13	.870/920	.264/288	.940	.445/485	.675	.062	.254	3/0 AWG / 2/0 FLEX	ORANGE
CRA-3/0-14M	3/0	.501/521	2.125/2.195	.11/13	.870/920	.264/288	.940	.445/485	.675	.062	.254	3/0 AWG / 2/0 FLEX	ORANGE
CCL-3/0-516	3/0	.501/521	2.125/2.195	.11/13	.870/920	.326/350	.940	.445/485	.675	.072	.285	3/0 AWG / 2/0 FLEX	ORANGE
CRA-3/0-516M	3/0	.501/521	2.125/2.195	.11/13	.870/920	.326/350	.940	.445/485	.675	.072	.285	3/0 AWG / 2/0 FLEX	ORANGE
CCL-3/0-38	3/0	.501/521	2.125/2.195	.11/13	.870/920	.390/414	.940	.445/485	.675	.072	.256	3/0 AWG / 2/0 FLEX	ORANGE
CRA-3/0-38M	3/0	.501/521	2.125/2.195	.11/13	.870/920	.390/414	.940	.445/485	.675	.072	.256	3/0 AWG / 2/0 FLEX	ORANGE
CCL-3/0-12	3/0	.501/521	2.125/2.195	.11/13	.870/920	.510/534	.940	.445/485	.675	.072	.256	3/0 AWG / 2/0 FLEX	ORANGE
CRA-3/0-12M	3/0	.501/521	2.125/2.195	.11/13	.870/920	.510/534	.940	.445/485	.675	.072	.256	3/0 AWG / 2/0 FLEX	ORANGE
CCL-4/0-14	4/0	.580/600	2.355/2.425	.12/14	1.010/1.060	.264/288	1.040	.505/545	.700	.090	.503	4/0 AWG / 3/0 FLEX	PURPLE
CRA-4/0-14M	4/0	.580/600	2.355/2.425	.12/14	1.010/1.060	.264/288	1.040	.505/545	.700	.090	.503	4/0 AWG / 3/0 FLEX	PURPLE
CCL-4/0-38	4/0	.580/600	2.355/2.425	.12/14	1.010/1.060	.390/414	1.040	.505/545	.700			4/0 AWG / 3/0 FLEX	PURPLE
CRA-4/0-38M	4/0	.580/600	2.355/2.425	.12/14	1.010/1.060	.390/414	1.040	.505/545	.700			4/0 AWG / 3/0 FLEX	PURPLE
CCL-4/0-12	4/0	.580/600	2.355/2.425	.12/14	1.010/1.060	.510/534	1.040	.505/545	.700	.073	.407	4/0 AWG / 3/0 FLEX	PURPLE
CRA-4/0-12M	4/0	.580/600	2.355/2.425	.12/14	1.010/1.060	.510/534	1.040	.505/545	.700	.073	.407	4/0 AWG / 3/0 FLEX	PURPLE
CCL-250-12	250	.675/695	2.615/2.685	.120/140	1.175/1.225	.510/534	1.230	.585/625	.725			250kcmil / 4/0 FLEX	YELLOW
CRA-4/0-12M	250	.675/695	2.615/2.685	.120/140	1.175/1.225	.510/534	1.230	.585/625	.725			250kcmil / 4/0 FLEX	YELLOW
CCL-250-38	250	.675/695	2.615/2.685	.120/140	1.175/1.225	.390/414	1.230	.585/625	.725			250kcmil / 4/0 FLEX	YELLOW
CRA-4/0-38M	250	.675/695	2.615/2.685	.120/140	1.175/1.225	.390/414	1.230	.585/625	.725			250kcmil / 4/0 FLEX	YELLOW

NOTES:  
1. PART NUMBERS WITH A C90T DEVIATION HAVE A 90° BENT TANG