
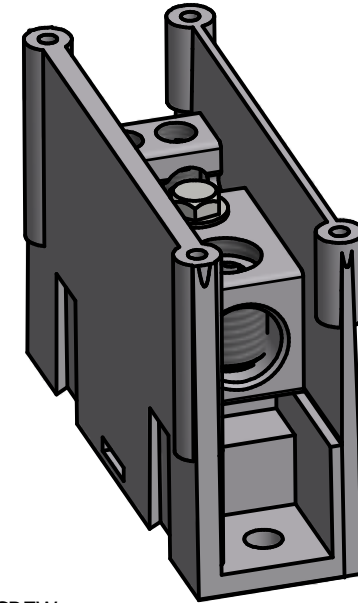
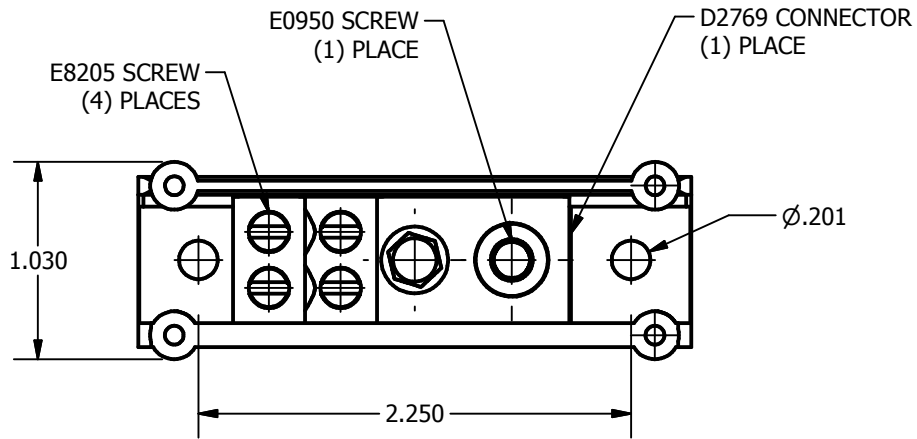


SCREW: E8205 AND E0950	MATERIAL: NONE	REV: H	 800-776-9775 www.ilsco.com		
CAT. NO.: PDC-14-2/0-1	PLATING: NONE	DRAWN BY: CLH			SCALE: 1:1
INFORMATION SHEET: NONE	MARKING: NONE	DATE: 12/11/2007			SIZE: A
			DWG. NO.	M2627	
			SHEET: 1 OF 1		



SCALE 1 : 1

