
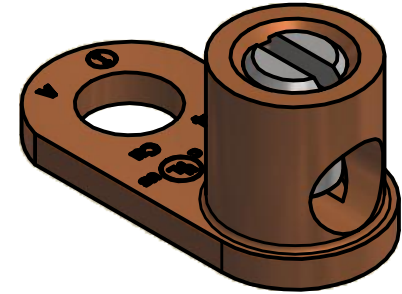
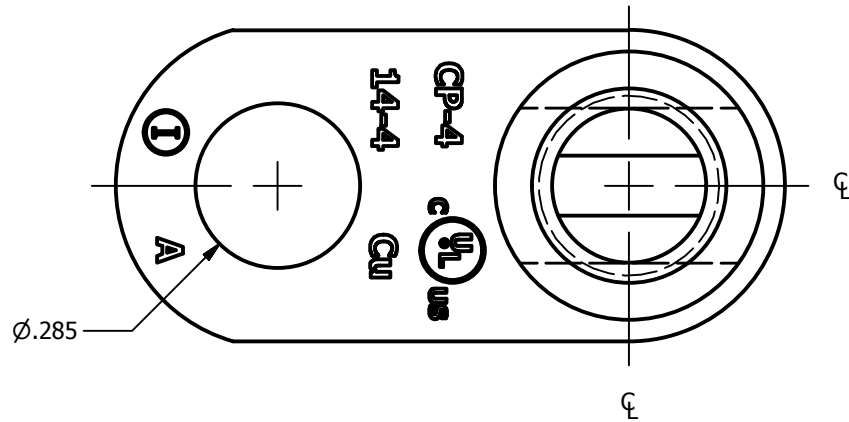
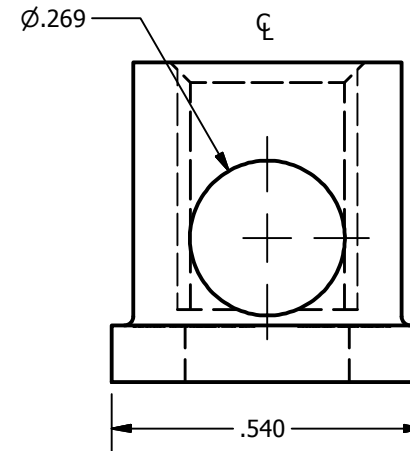
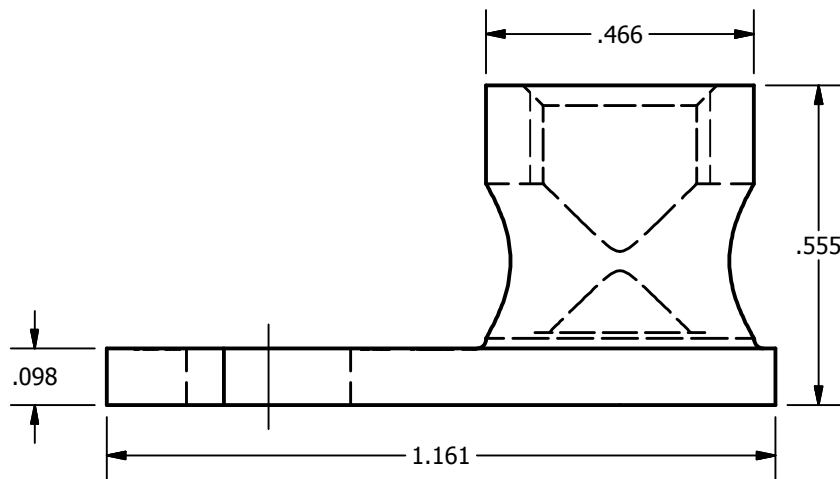


SCREW: E1583	MATERIAL: COPPER	REV: K.1	 800-776-9775 www.ilsco.com
CAT. NO.: CP-4	PLATING: SEE CHART	DRAWN BY: JG SCALE: 1=1	
INFORMATION SHEET: FORM 2	MARKING: SEE BELOW	DATE: 10/22/2007 SIZE: A	
		DWG. NO. R0593	
		SHEET: 1 OF 1	



SCALE 2 : 1



DEV	PLATING	MARKING
A00B	BRIGHT DIP	SEE ABOVE
C01A	NONE	NONE