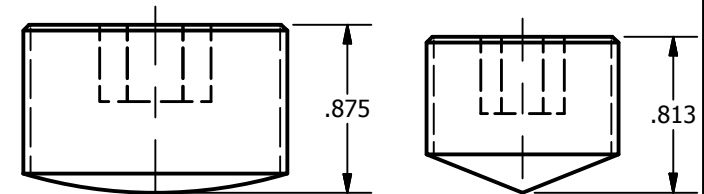
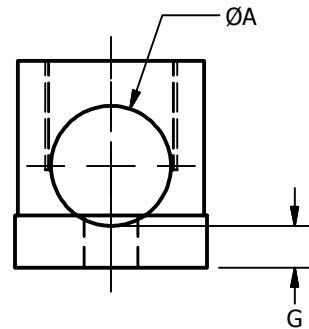
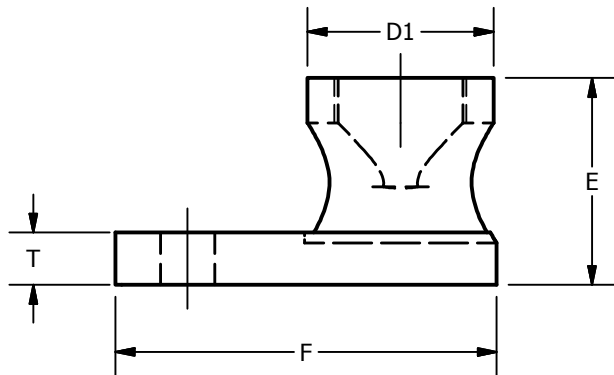
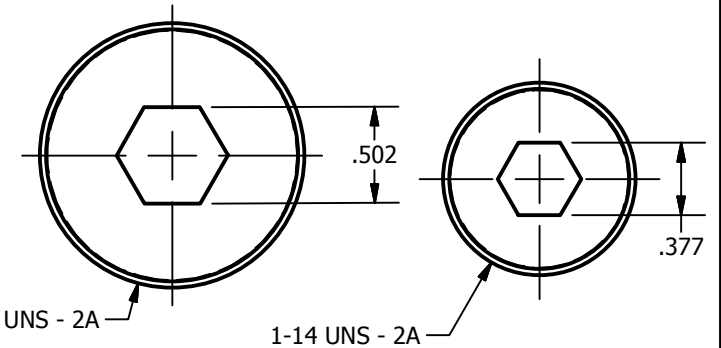
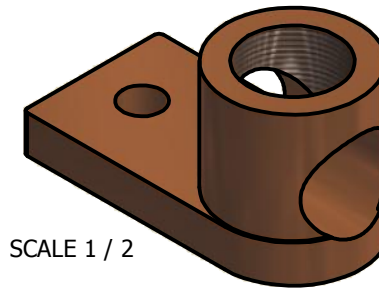
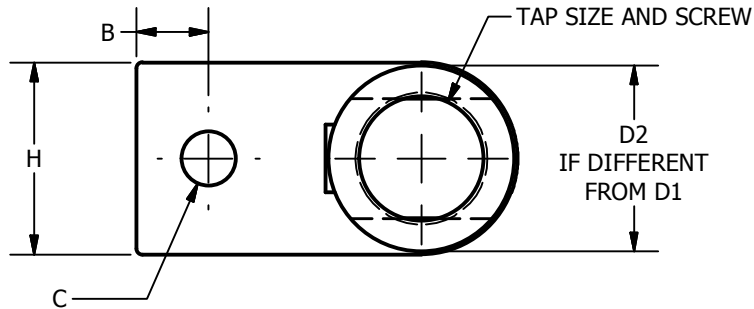


SCREW: SEE CHART  
 CAT. NO.: SEE CHART  
 INFORMATION SHEET: FORM 2

MATERIAL: COPPER  
 PLATING: BRIGHT DIP  
 MARKING: SEE CHART

REV: G  
 DRAWN BY: CLH  
 DATE: 8/4/2008  
 SCALE: 1/2  
 SIZE: A

**ILSCO**  
*connections matter*  
 800-776-9775 www.ilsco.com  
 DWG. NO. **R0789-R0790**  
 SHEET: 1 OF 1



PART #	CAT #	A	B	C	D1	E	F	G	H	J	T	TAP AND SCREW	VENDOR PART #	D2 REF	MARKING
R0789A00B	CP-500	.875	.625±.031	.563	1.219	1.469	3.000 REF	.156 MIN	1.406	.528	.281	1-14 FIG B	L-400	-----	①, 4/0-500, CP-500, ④
R0790A00B	CP-1000	1.250	.750	.563	1.938	2.156	3.968	.438 REF	2.000	.814	.547	1 3/8-14 FIG A	L-650	1.766	① 500-1000, CP-1000 ④