
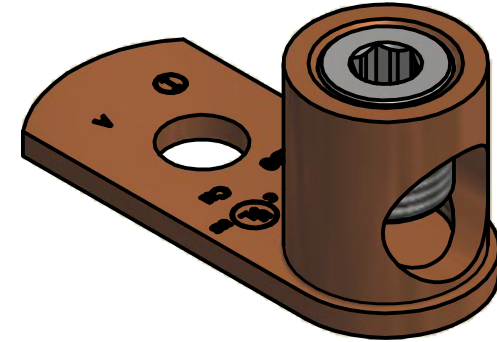
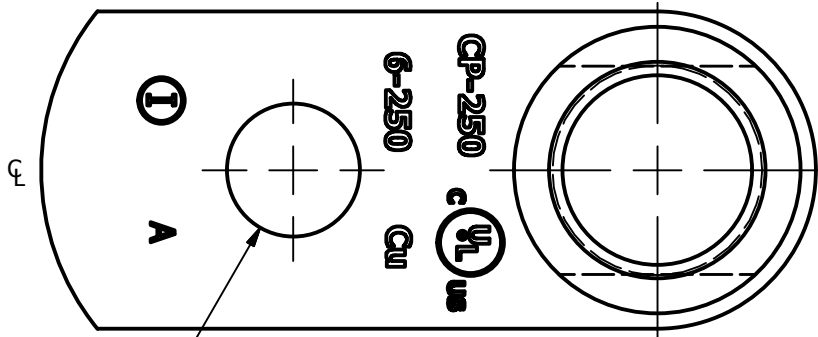
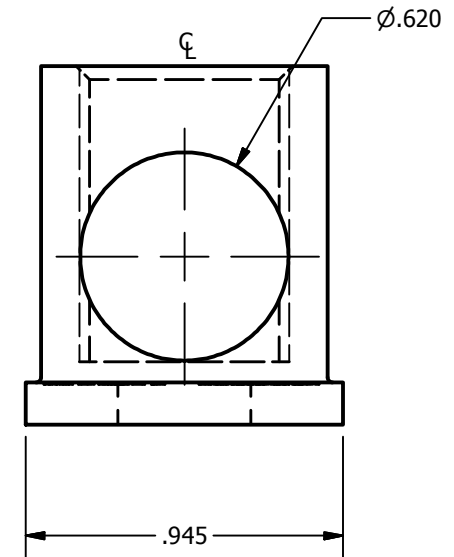
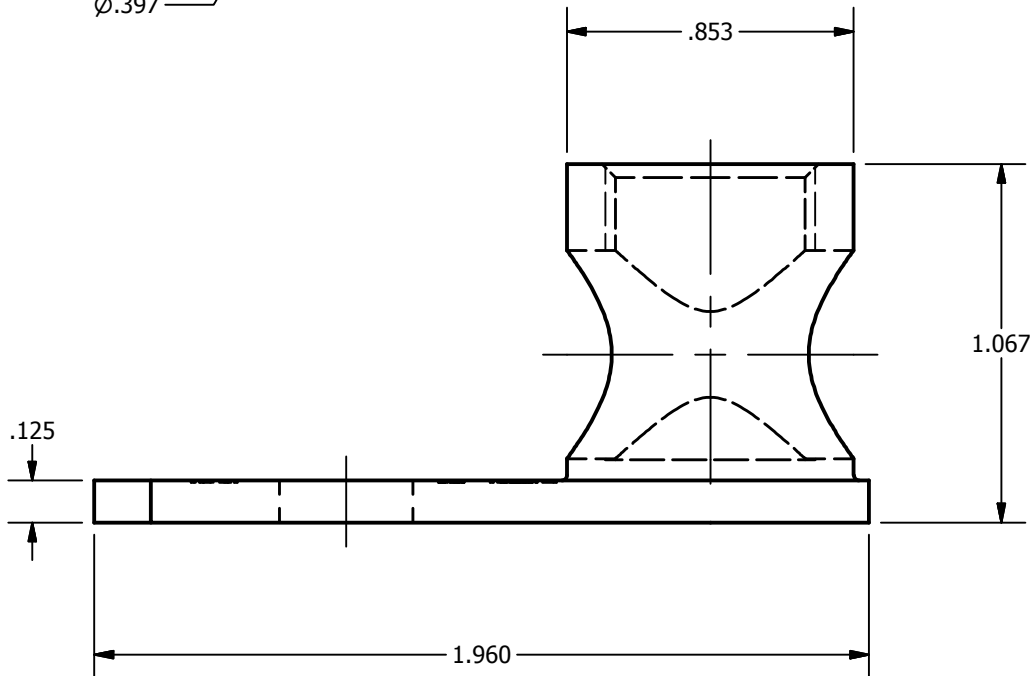


SCREW: E1582	MATERIAL: COPPER	REV: F.1	 800-776-9775 www.ilsco.com
CAT. NO.: CP-250	PLATING: SEE CHART	DRAWN BY: JG SCALE: 2=1	
INFORMATION SHEET: FORM 2	MARKING: SEE BELOW	DATE: 10/22/2007 SIZE: A	
		DWG. NO.	R0595
		SHEET: 1 OF 1	



SCALE 1.25 : 1



DEV	PLATING
A00B	BRIGHT DIP
A01T	EL-TIN