

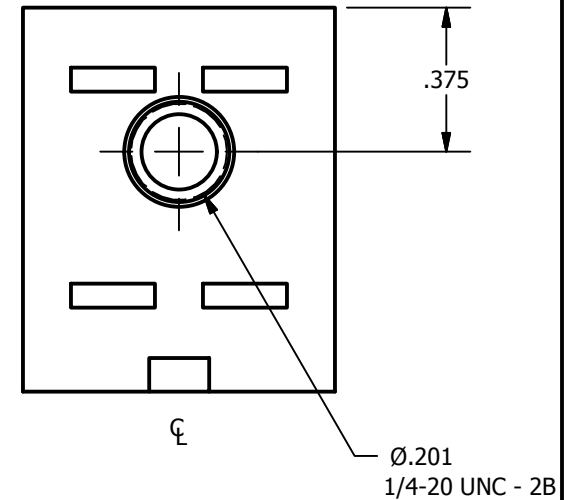
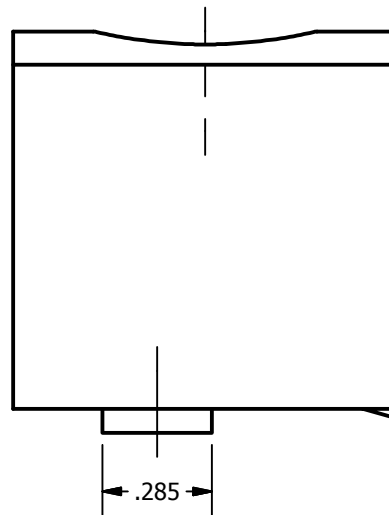
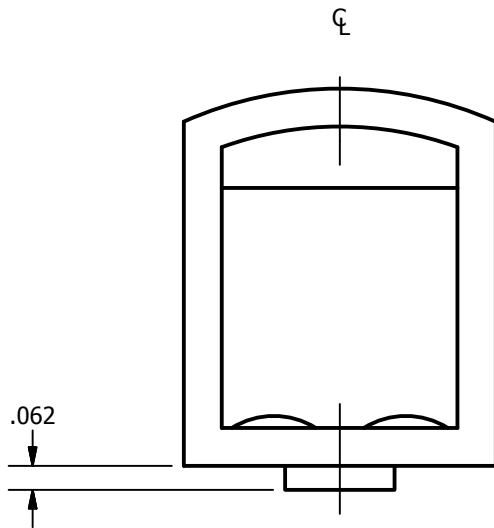
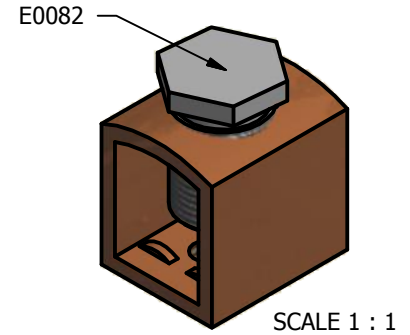
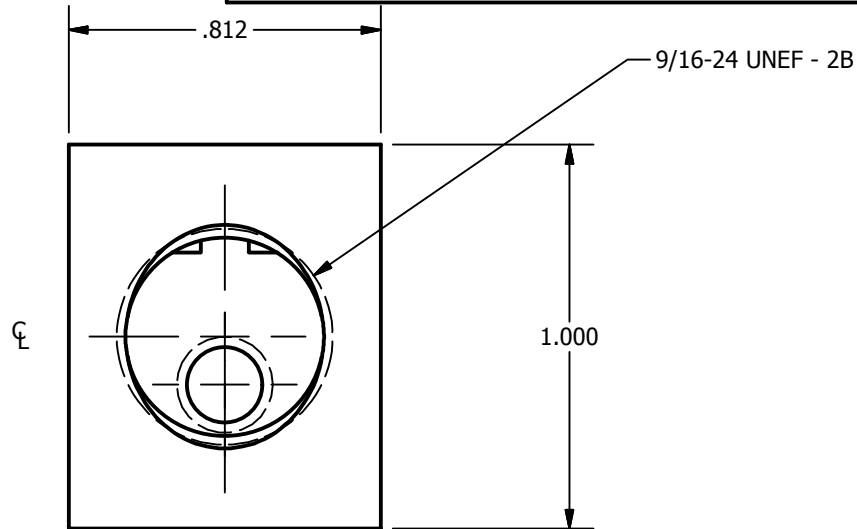


SCREW: E0082	MATERIAL: COPPER	REV: S		
CAT. NO.: C06RP	PLATING: BRIGHT DIP	DRAWN BY: JG	SCALE: 1=1	800-776-9775 www.ilSCO.com
INFORMATION SHEET: FORM 1	MARKING: ILSCO, C06-RP, D44, 2-4/0, 	DATE: 8/28/2008	SIZE: A	DWG. NO. <b>D0044</b>
				SHEET: 1 OF 1



VIEW B-B  
SCALE 2:1