
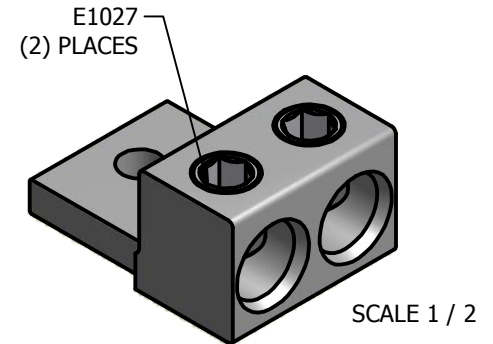
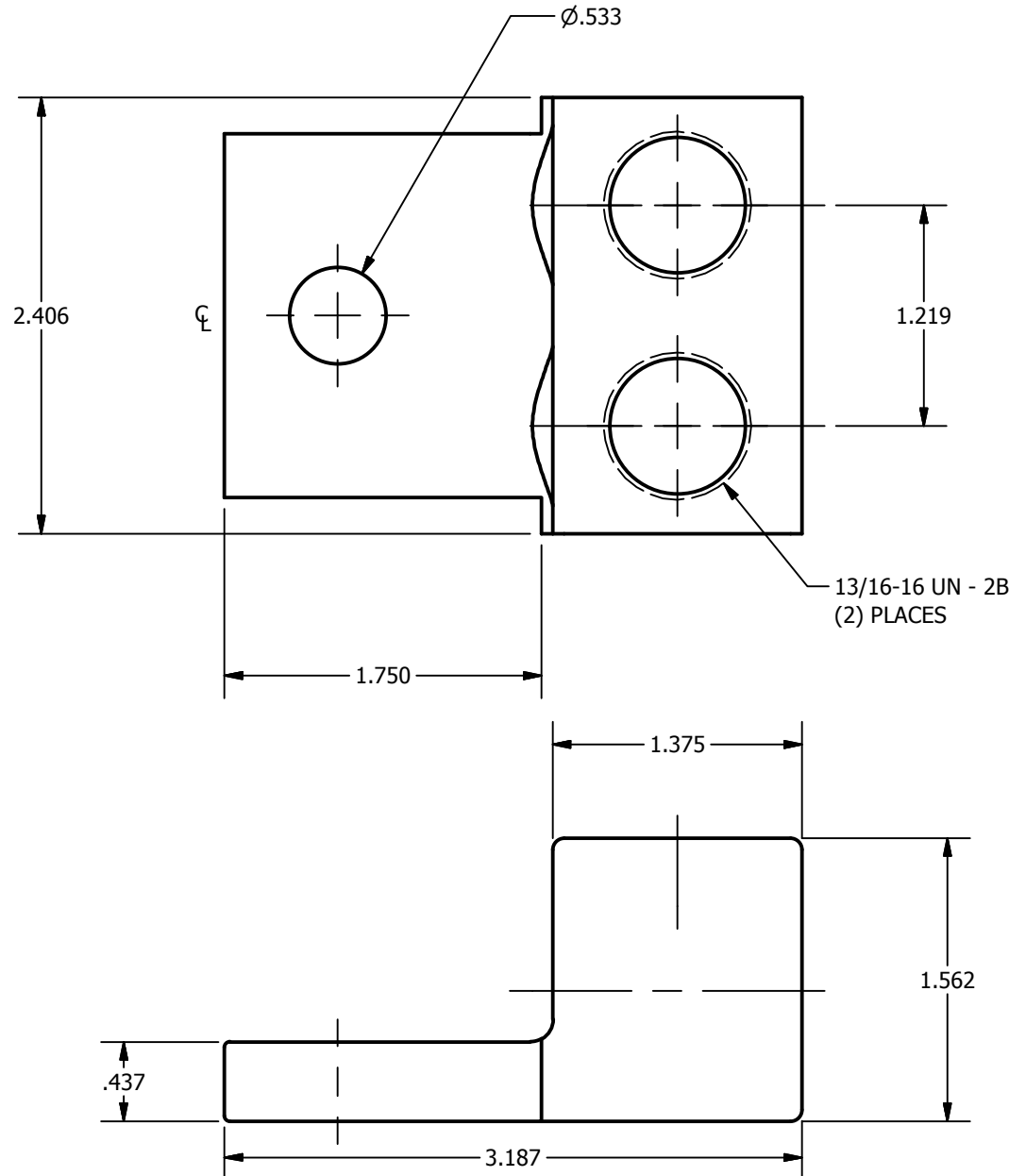




SCREW: E1027	MATERIAL: ALUMINUM	REV: H		
CAT. NO.: ADR6021/AU-600	PLATING: EL-TIN	DRAWN BY: CLH	SCALE:1:1	800-776-9775 www.ilSCO.com
INFORMATION SHEET: FORM 1	MARKING: SEE CHART	DATE:1/15/2008	SIZE: A	
			DWG. NO.	D0899
			SHEET: 1 OF 1	



CAT NO	MARKING
ADR6021	BKB, ADR60-21,600-2, 450 IN LBS,AL9CU  
AU-600	ILSCO, AU-600, D899, 600MCM-2, AL9CU, AL-CU 