

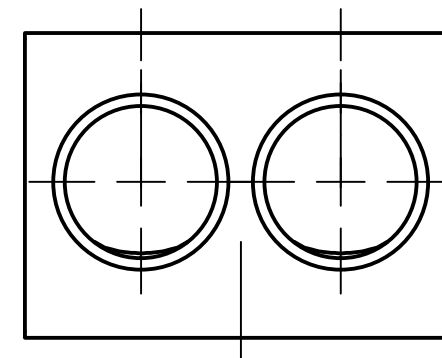
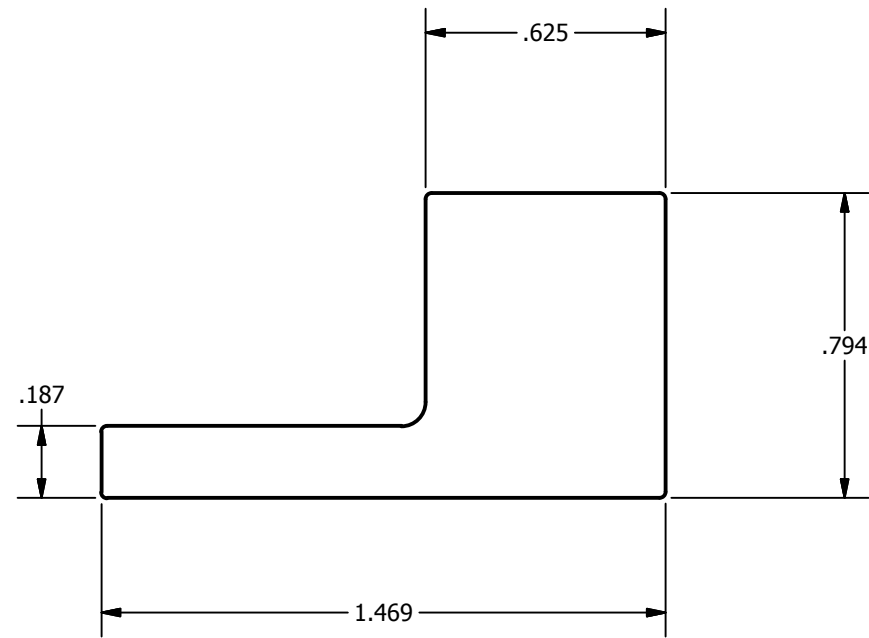
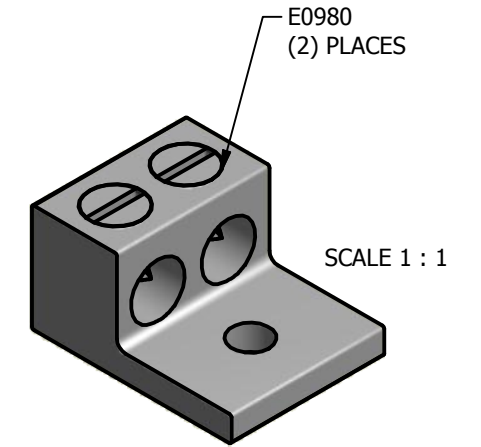
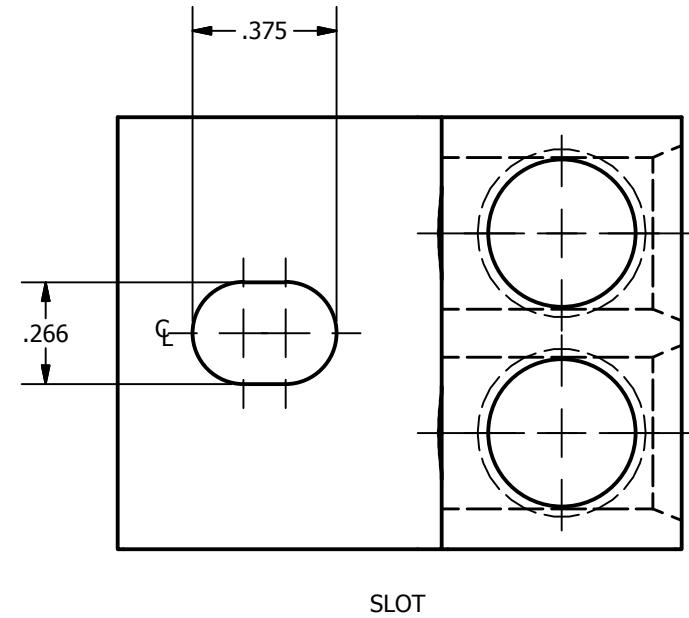
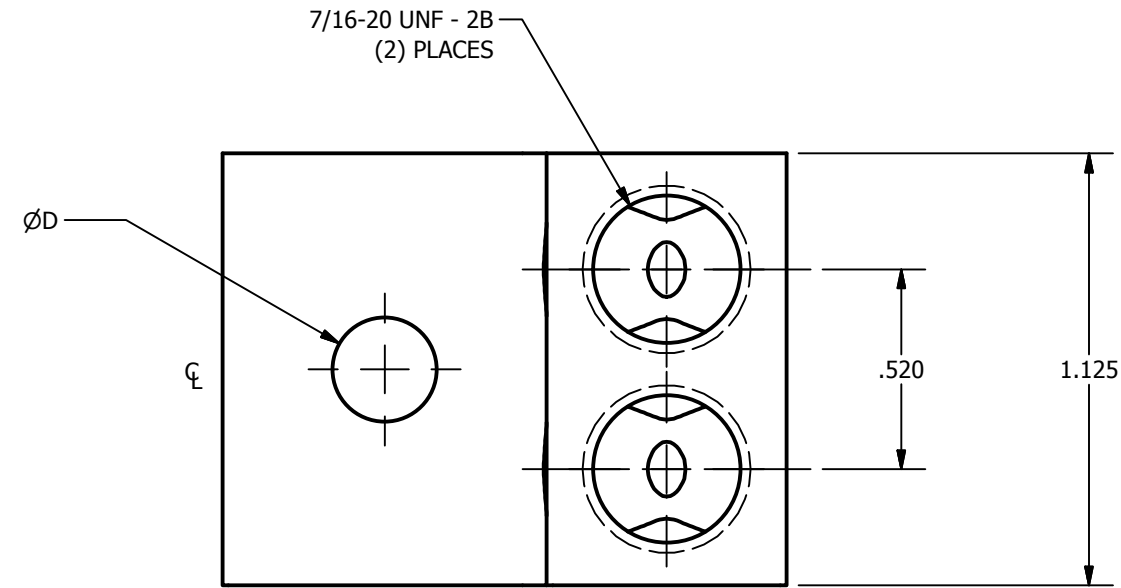
SCREW: E0980  
 CAT. NO.: AU-0, AU-0-B2  
 INFORMATION SHEET: FORM 1 AND 96

MATERIAL: ALUMINUM  
 PLATING: EL-TIN  
 MARKING: SEE CHART

REV: H  
 DRAWN BY: CLH  
 DATE: 1/16/2008  
 SCALE: 2:1  
 SIZE: B

**ILSCO**  
 connections matter  
 800-776-9775 www.ilSCO.com

DWG NO: **D1112**  
 SHEET: 1 OF 1



D	MARKING
.272	BKB, ADR11-21, 1/0-14, AL9CU
.272	ILSCO, D1112, AU-0, 1/0-14, AL9CU
.272	ILSCO, D1112, AU-0, 1/0-14, AL9CU
SLOT	ILSCO, D1112, AU-0, 1/0-14, AL9CU
.437	ILSCO, D1112, AU-0, 1/0-14, AL9CU