



Pendant Mount Kit for Independence High Bays (IHB)

CONSTRUCTION:

- Pre-drilled holes in fixture housing
- Accepts 3/4" Rigid Conduit
- Single Point Mounting

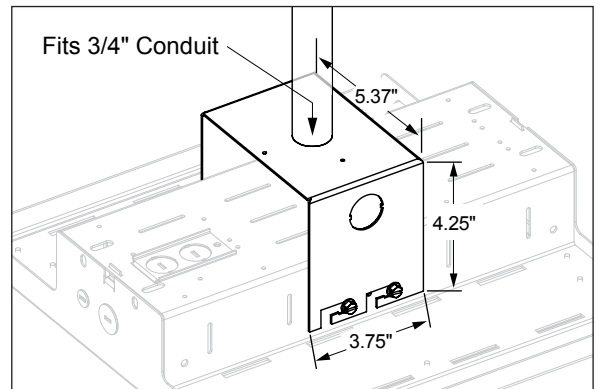
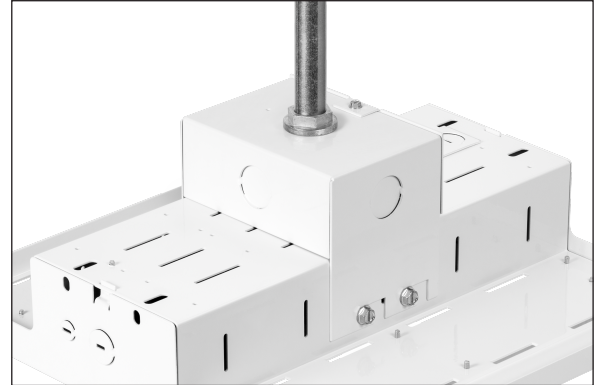
SPECIFICATIONS:

- Height: 4.25" (10.80 cm)
- Width: 3.75" (9.53 cm)
- Depth: 5.37" (13.65 cm)

ORDERING INFORMATION

Catalog #	Description	Std. Pkg.
IHB-PMK	Pendant Mount Kit for IHB Units	1

Project Information
Job Name
Catalog Number IHB-PMK
Approved by



ATLAS LIGHTING PRODUCTS, INC.

PO BOX 2348 | BURLINGTON, NC 27216
800-849-8485 | FAX: 336-227-0110 | www.atlaslightingproducts.com