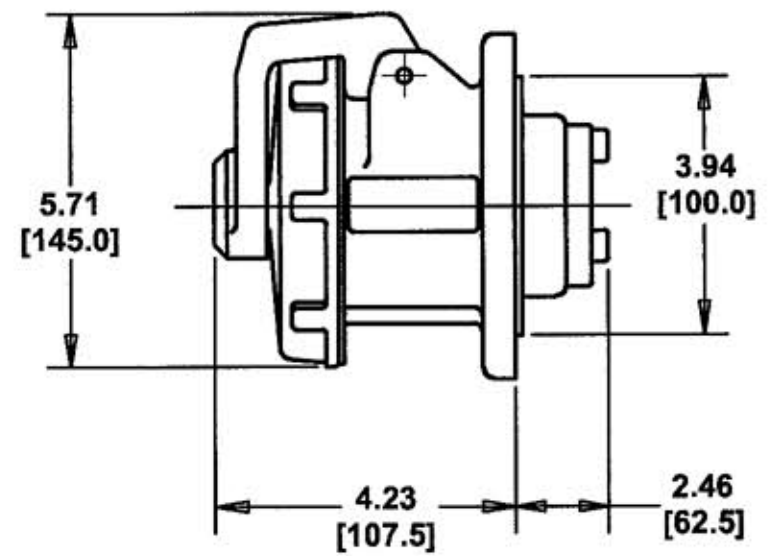
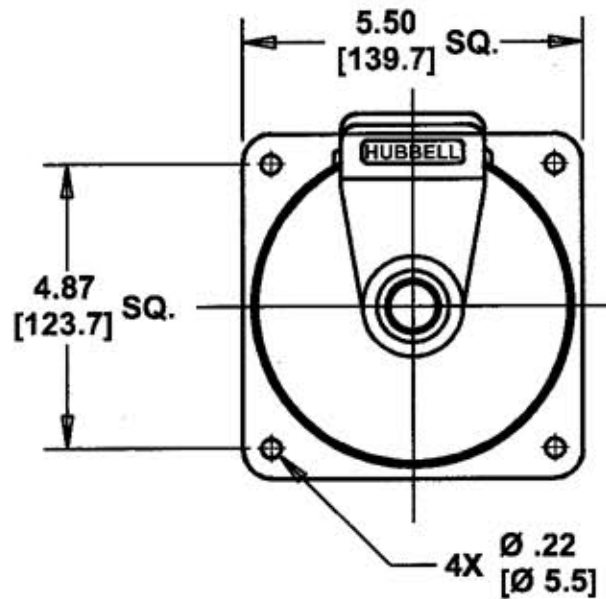


M-6081 5



LIST OF PARTS		
DESCRIPTION	MATERIAL	FINISH
HOUSING	SEE TABLE	
INTERIOR	THERMOSET	
SLEEVES	BRASS	
SLEEVE INSERTS	BERR. COPPER	
TERMINAL SCREWS	ST. STEEL	
COVER	POLYESTER	
COVER SCREW	BRASS	NICKEL
COVER SPRING	ST. STEEL	
GASKET	NEOPRENE	
DISC	POLYCARBONATE	
ARM	POLYESTER	
HINGE PIN	ST. STEEL	
HINGE SPRING	ST. STEEL	
ASSEMBLY SCREWS	ST. STEEL	

DIMENSION SHEET FOR CAT. NO. SEE TABLE

REPAIRABLE NON-REPAIRABLE

CAT. NO.	CONFIGURATION	RATING	COMMENTS	HOUSING		CAT. NO.	CONFIGURATION	RATING	COMMENTS	HOUSING	
				MATERIAL	COLOR					MATERIAL	COLOR
						HBL4100R7W		100 A 3Ø 480 VAC		NYLON	RED
						HBL4100R9W		100 A 3Ø 250 VAC		NYLON	BLUE
HBL4100R5WS		100 A 3Ø 600 VAC PILOT CONTACT A600		NYLON	BLACK						
HBL4100R5W		100 A 3Ø 600 VAC		NYLON	BLACK						
HBL4125R6W		125 A 380-415VAC		NYLON	RED	HBL4100R12W		100 A 125/250 VAC		NYLON	ORANGE

5	REDRAWN ON CAD WITH CHANGES. ADDED "HOUSING" & "COMMENTS" COLUMNS TO TABLE AND NOTES 1 & 2. IN TABLE, "A" WAS "AMP" AND "380-415VAC" WAS "380VAC". IN LIST OF PARTS, "SEE TABLE" WAS "NYLON" AND "NEOPRENE" WAS "RUBBER". .22 DIM. WAS 7/32, "Ø" WAS "DIA." AND "[XX.X]" WAS "MM". 4.87/[123.7] SQ. WAS 4.875/123.82MM SQ. SUPERSEDES DRAWING DATED 5/8/80 PER DCN #12944. JMN	DJP	6/26/06
SYM	REVISIONS	APP	DATE

THE DESIGN AND DIMENSIONS OF THE PRODUCT SHOWN ON THIS DRAWING ARE SUBJECT TO CHANGE WITHOUT NOTICE

TITLE
100A & 125A 3 POLE 4 WIRE
PIN AND SLEEVE RECEPTACLES

NOTES (UNLESS OTHERWISE SPECIFIED)
1) TOLERANCES ARE:
DECIMALS ± .03
ANGLES ± 2°
2) DIMENSIONS ARE: INCHES
[MILLIMETERS]

TOLERANCES UNLESS OTHERWISE SPECIFIED		WIRING DEVICE-KELLEMS HUBBELL INCORPORATED BRIDGEPORT, CT	
FRACTIONS ± 1/64	DECIMALS ± .005	DR. BY WTC	APP. BY DJP
ANGLES ± 2°		TR. BY JMN	SCALE NONE
		CHK'D BY DJP	DATE 6/26/06