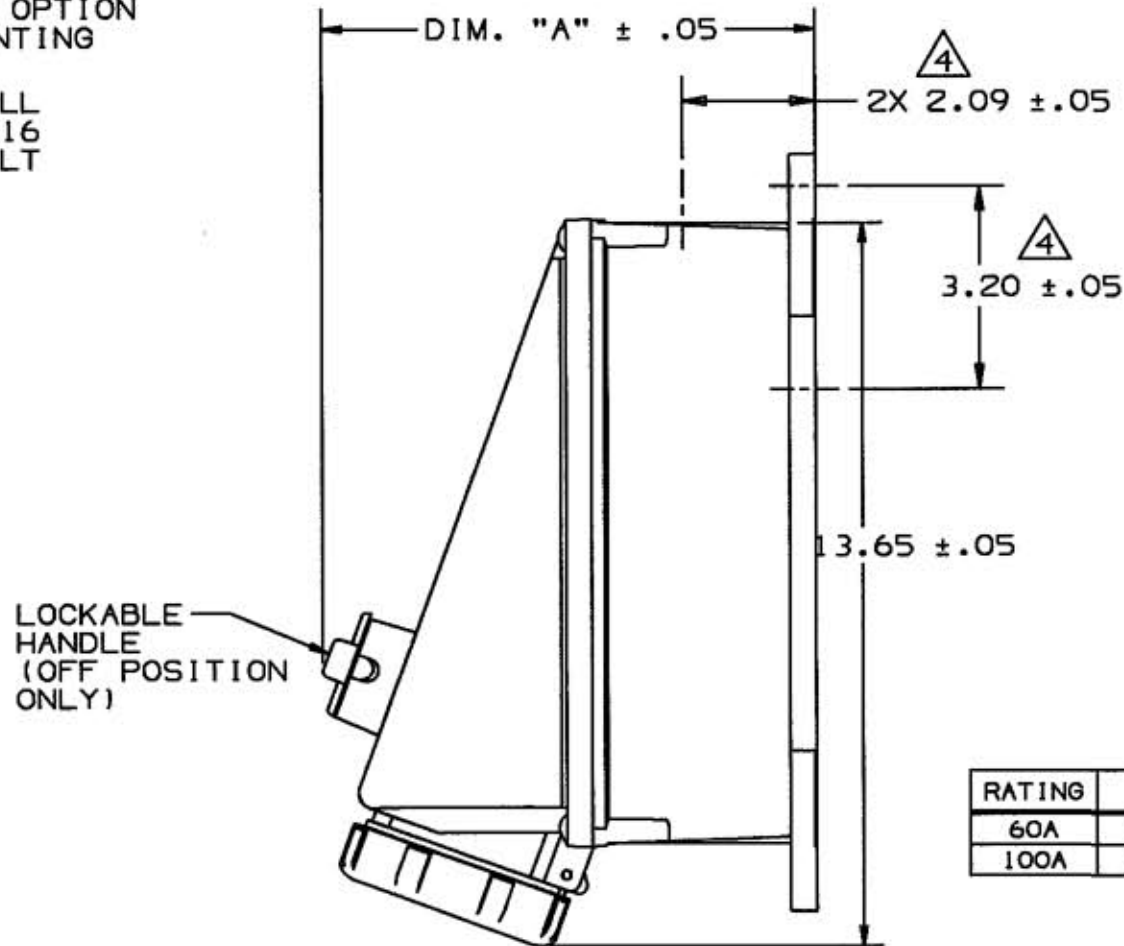
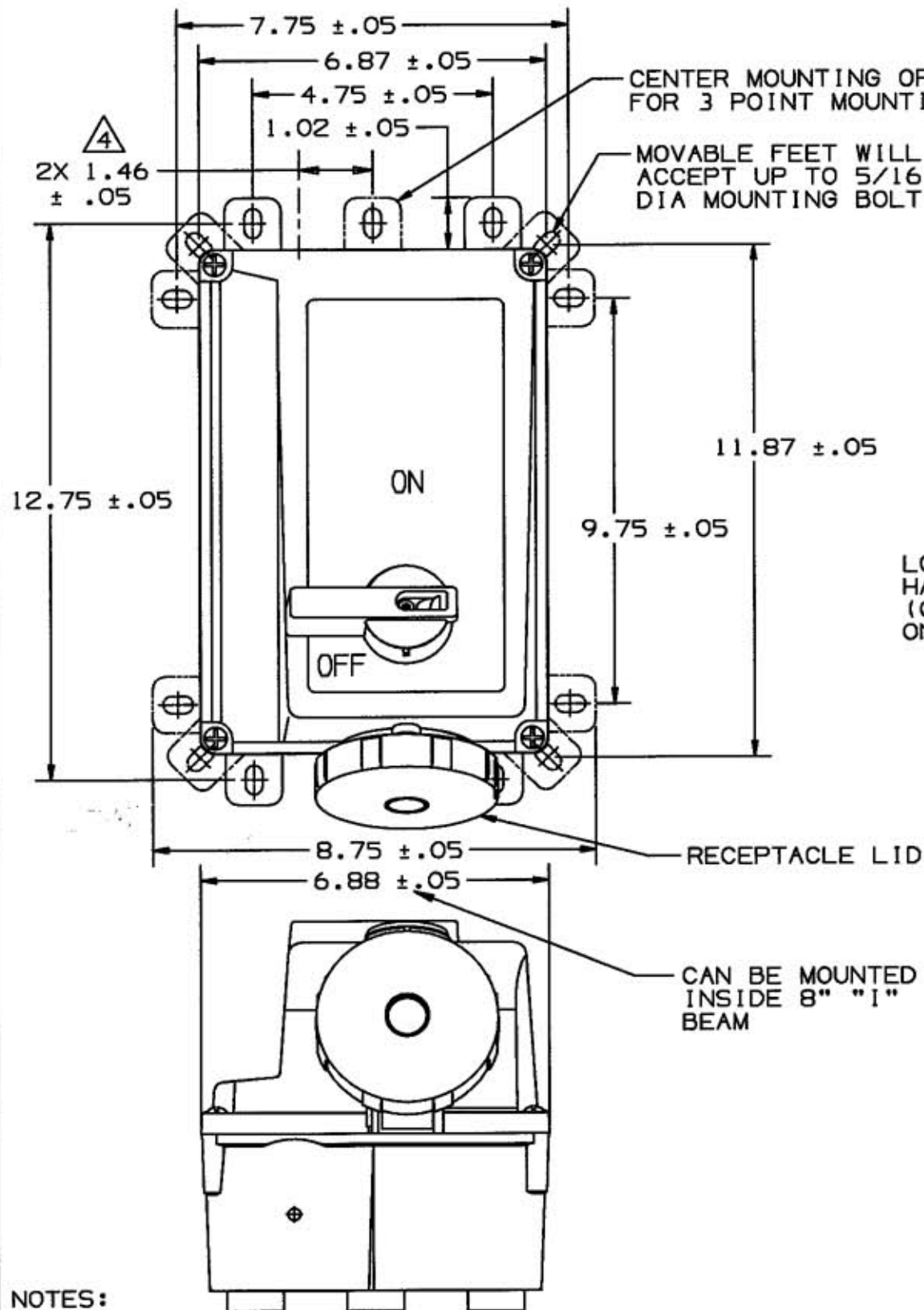


M-6993 6



CAT. NOS.	AMPS	RATING	HORSEPOWER	POLES	WIRES
HBL360M14W	60	120VAC	3	2	3
HBL360M16W	60	240VAC	7.5 (208-240VAC)	2	3
HBL360M17W	60	480VAC	20	2	3
HBL460M15W	60	600VAC 3Ø	40	3	4
HBL460M15WR	60	600VAC 3Ø	40	3	4
HBL460M17W	60	480VAC 3Ø	30	3	4
HBL460M17WR	60	480VAC 3Ø	30	3	4
HBL460M19W	60	240VAC 3Ø	15	3	4
HBL460M19WR	60	240VAC 3Ø	15	3	4
HBL460M112W	60	120/240VAC	7.5 (208-240VAC L-L)	3	4
HBL460M112WR	60	120/240VAC	7.5 (208-240VAC L-L)	3	4
HBL560M15W	60	347/600VAC 3Ø Y	40	4	5
HBL560M17W	60	277/480VAC 3Ø Y	30	4	5
HBL560M19W	60	120/208VAC 3Ø Y	15	4	5
HBL3100M16W	100	240VAC	15	2	3
		208VAC	10	2	3
HBL4100M15W	100	600VAC 3Ø	50	3	4
HBL4100M15WR	100	600VAC 3Ø	50	3	4
HBL4100M17W	100	480VAC 3Ø	50	3	4
HBL4100M17WR	100	480VAC 3Ø	50	3	4
HBL4100M19W	100	240VAC 3Ø	25	3	4
HBL4100M19WR	100	240VAC 3Ø	25	3	4
HBL4100M112WR	100	120/240VAC	15 (208-240VAC L-L)	3	4
HBL5100M19W	100	120/208VAC 3Ø Y	20	4	5
HBL460M15WS	60	600VAC 3Ø	40	3	4
HBL5100M15WS	100	600VAC 3Ø	50	3	4
HBL4100M112W	100	120/240VAC	15	3	4

- NOTES:
- ENCLOSURE TYPE 4X & 12.
 - UL 508 LISTED & CSA CERTIFIED.
 - RECEPTACLE IS IEC 309-1 & 2 PIN & SLEEVE.
 - DRILL POINT LOCATIONS (3) FOR CONDUIT FITTING INSTALLATION.
 - 1 1/4" NPT CONDUIT FITTING SUPPLIED. PROVISION FOR BOTTOM, BACK & TOP FEED.

CODE 74545

LIST OF PARTS

DESCRIPTION	MATERIAL	FINISH
ALL EXTERNAL	UV	
PLASTIC PARTS	STABILIZED POLYESTER BLEND	
ALL EXTERNAL SCREWS	STAINLESS STEEL	
THREADED HUB	DIE CAST	
INSULATED THROAT	ZINC	

SYM	REVISIONS	APP	DATE
6	ADDED CAT. NO. HBL4100M112W PER DCN# 11314 PJT	PJT	11/3/03
5	ADDED CAT. NO.'S HBL460M15WS AND HBL5100M15WS. PER DCN 11116 SPN	RDK	8/28/03
4	ADDED TOL TO ALL DIMS PER DCN #7793. AMZ	DB	7/27/00
3	ADDED CATALOG NUMBERS FOR REVERSE SERVICE & "HBL" PREFIX PER DCN 6500 CAC	CAC	12/28/98
2	ADDED NOTES 4 & 5: ADDED RATING TABLE, ADDED 3.20 DIM. REMOVED CONDUIT FITTING FROM PICTURE, DIM "A" WAS 8.60, REVISED NOTE 1 PER DCN #3740 RCM		9/5/95
1	RELEASED PER DCN 1088 RCM		2/11/92

THE DESIGN AND DIMENSIONS OF THE PRODUCT SHOWN ON THIS DRAWING ARE SUBJECT TO CHANGE WITHOUT NOTICE

TITLE
DIMENSION SHEET FOR 60A & 100A MECHANICAL INTERLOCK

TOLERANCES UNLESS OTHERWISE SPECIFIED
FRACTIONS ±1/64
DECIMALS ±.005
ANGLES ±2°

WIRING DEVICE-KELLEMS
HUBBELL INCORPORATED
BRIDGEPORT, CT

DR. BY RCM	APP. BY ZIMM
TR. BY	SCALE $\frac{1}{1}$
CHK'D BY	DATE 2/11/92

DIMENSION SHEET FOR CAT. NO.

REPAIRABLE

NON-REPAIRABLE

B

M-6993

6