

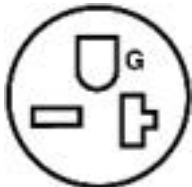
5842



UPC Code: 07847725100

Country of Origin: Mexico - *Eligible for
ARRA funded projects > \$7,443,000

Configuration:



Straight Blade Wiring Devices

Brand Features

Leviton's line of Heavy-Duty Specification Grade receptacles are designed and manufactured to withstand the most demanding environments. Available in a wide variety of configurations, including isolated ground, tamper-resistant, etc., these Commercial Grade devices are the electrical contractor's choice for use in hotels, schools, hospitals and commercial office buildings.

Item Description

20 Amp, 125/250 Volt, NEMA 5-20R_6-20R, 2P, 3W, Narrow Body Duplex Receptacle, Straight Blade, Commercial Grade, Self Grounding, Dual Voltage, Side Wired, Steel Strap, - Brown

Technical Information

AC Horsepower Ratings

At Rated Voltage: 1 HP 125V / 2 HP 250V

Electrical Specifications

Grounding: Self-Grounding

Amperage: 20 Amp

Voltage: 125/250 Volt

NEMA: 5-20R_6-20R

Pole: 2

Wire: 3

Dielectric Voltage: Withstands 2000V per UL498

Current Limiting: Full Rated Current

Temperature Rise: Max 30C after 100 cycles OL at 150 percent rated current

Environmental Specifications

Flammability: Rated V-2 per UL94

Operating Temperature: -40C to 60C

Material Specifications

Face Material: Nylon

Body Material: Nylon

Line Contacts: Brass Triple-Wipe .031 Thick

Terminal Screws: Brass 10-32

Grounding Screw: Brass 8-32

Strap Material: Zinc-Plated Steel

Clamp Nuts: Zinc-Plated Steel

Ground Clips: Brass-Plated

Color: Brown

Mechanical Specifications

Terminal ID: Brass-Hot, Green-Ground, White-Neutral

Terminal ID: Brass-Hot, Green-Ground, Silver-Neutral

Terminal Accom.: 14-10 AWG

Product ID: Ratings are permanently marked on device

Termination: Side

Product Features

Grounding: Self Grounding

NEMA: 5-20R_6-20R

Termination: Back & Side

Color: Brown

Standards and Certifications

NEMA: WD-2 WD-6

ANSI: C-73

UL498: File E13399

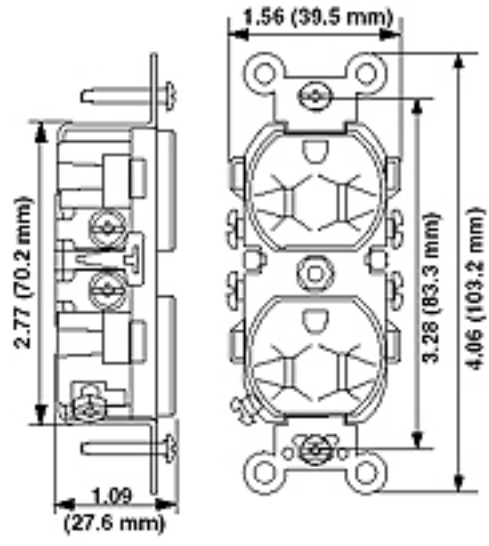
UL Fed Spec WC-596: File E13399

CSA C22.2 No. 42: File 152105

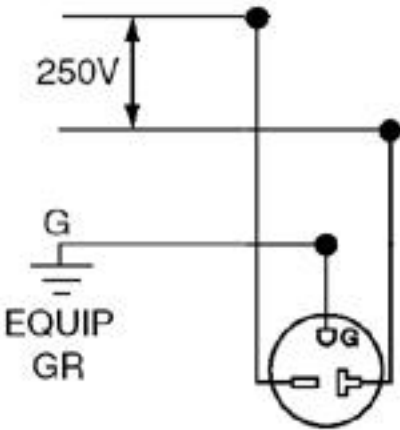
NOM: 057

Warranty: 10 Year Limited

Dimensional Diagram

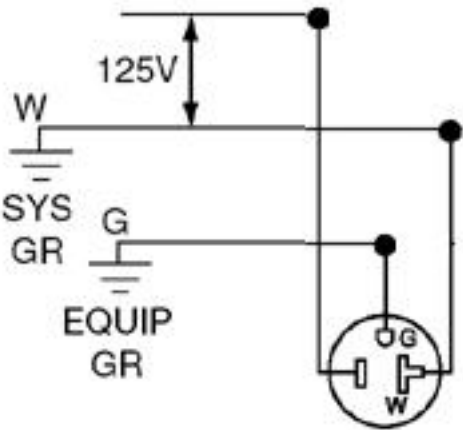


Wiring Diagram



6-20R

Wiring Diagram



5-20R

SPECIFICATION SUBMITTAL

JOB NAME: <input type="text"/>	CATALOG NUMBERS: <input type="text"/>	
JOB NUMBER: <input type="text"/>	<input type="text"/>	<input type="text"/>

Leviton Manufacturing Co., Inc.

201 North Service Road, Melville, NY 11747

Telephone: 1-800-323-8920 · FAX: 1-800-832-9538 · Tech Line (8:30AM-7:30PM E.S.T. Monday-Friday): 1-800-824-3005

Leviton Manufacturing of Canada, Ltd.

165 Hymus Boulevard, Pointe Claire, Quebec H9R 1E9 · Telephone: 1-800-469-7890 ·

FAX: 1-800-824-3005 · www.leviton.com/canada

Leviton S. de R.L. de C.V.

Lago Tana 43, Mexico DF, Mexico CP 11290 · Tel.: (+52)55-5082-1040 · FAX: (+52)5386-1797 · www.leviton.com.mx

Visit our Website at: www.leviton.com

© 2012-2015 Leviton Manufacturing Co., Inc. All rights reserved. Subject to change without notice.



Leviton has a global presence.

If you would like to know where your local Leviton office is located please go to: www.leviton.com/international/contacts/

**Buy American Compliant Logo -- The American Recovery And Reinvestment Act of 2009 ("ARRA") provides federal grants and loans for projects throughout the country. Section 1605 of the Act, named the "Buy American" provision, requires that certain materials and manufactured products used in projects funded by the Act be manufactured in the United States. The appearance of the Recovery Act Logo in relation to a Leviton product is only intended to reflect that such product may be used in an ARRA funded project. It does not mean that such product or Leviton is sponsored or endorsed by, or that Leviton receives funds from, the federal government or the Recovery Accountability and Transparency Board. Nothing in Leviton's use of the logo is intended to suggest anything regarding the requirements for funding under ARRA.*