



# SlimPak Pro Warm Edition

## WSPS40LED3K 40 Watt LED SlimPak



### SPECIFICATIONS:

- Lumens:** 3712
- Watts:** 37.05
- Lumens/Watt:** 100.18
- CRI:** 82.5
- CCT:** 2946
- Lifespan:** 200,000+ hrs.<sup>1</sup>

#### Construction:

Designed for commercial and industrial applications, providing cooler operating temperatures, brighter light and longer LED life. Apertures for field or factory installed photocontrol. Hinged at bottom to prevent leakage.

#### Installation:

Labor saving features including bubble level and removable hinged face frame.

#### Zero Glare:

The fixture design directs more light down and forward without wasting lumens and offensive light.

#### Thermal Management:

Atlas SlimPak Pro fixtures are designed as a complete system to optimize LED life and light output. The Patent Pending thermal stacking heat removal technology extracts heat from within the housing moving it away from LEDs and components. The lower temperatures result in long LED life (200,000+ hrs) and component life and also allows for higher light output.

#### Listings:

Luminaire is certified to UL/cUL Standards for Wet Locations  
IDA Listed  
DesignLights Consortium qualified luminaire, eligible for rebates from DLC member utilities. DLC Product ID: PYV6V815

#### AC Input:

120/208/240/277 V

#### Driver:

Constant current, Class 2, 120-277 VAC, 50-60 Hz  
High Efficiency – min. 85%  
Off-State Power: 0 Watts  
0-10 V Dimming

#### LEDs:

3000K CCT

#### Testing:

Atlas LED luminaires have been tested by an independent laboratory in accordance with IESNA LM-79 & LM-80.

**Warranty:** Five-year limited warranty

#### Photo Control:

For factory installed 120V button photo control add suffix PC to part number. Atlas uses only premium LED compatible photocontrols.

### Project Information

Job Name

Fixture Type 40 Watt LED Die Cast SlimPak

Catalog Number WSPS40LED3K

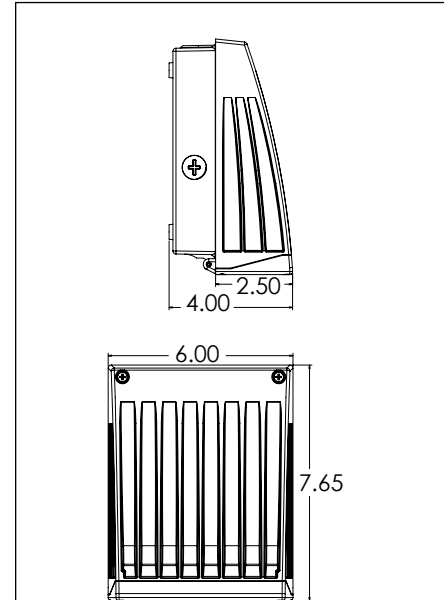
Approved by

**Alpha Series LED**  
PROFESSIONAL GRADE



Patent Pending

### DIMENSIONS:



<sup>1</sup>LED Life Span Based Upon LM-80 Test Results

**Rebates and Incentives are available in many areas.  
Contact an Atlas Representative for more information.**

## ATLAS LIGHTING PRODUCTS, INC.

PO BOX 2348 | BURLINGTON, NC 27216  
800-849-8485 | FAX: 336-227-0110 | www.atlasled.com

\*The majority of Atlas Lighting Products are assembled in USA facilities by an American Workforce utilizing both Domestic and Foreign components. Meets Buy American requirements within the ARRA.

**PHOTOMETRIC**

