



SlimPak Pro
Warm Edition

WSPL60LED3K 60 Watt LED SlimPak



SPECIFICATIONS:

Lumens: 6513
Watts: 58.19
Lumens/Watt: 111.93
CRI: 82.7
CCT: 2940
Lifespan: 200,000+ hrs.¹

Construction:

Designed for commercial and industrial applications, providing cooler operating temperatures, brighter light and longer LED life. Apertures for field or factory installed photocontrol. Hinged at bottom to prevent leakage.

Installation:

Labor saving features including bubble level and removable hinged face frame.

Zero Glare:

The fixture design directs more light down and forward without wasting lumens and offensive light.

Thermal Management:

Atlas SlimPak Pro fixtures are designed as a complete system to optimize LED life and light output. The Patent Pending thermal stacking heat removal technology extracts heat from within the housing moving it away from LEDs and components. The lower temperatures result in long LED life (200,000+ hrs) and component life and also allows for higher light output.

Listings:

Luminaire is certified to UL/cUL Standards for Wet Locations
IDA Listed
DesignLights Consortium qualified luminaire, eligible for rebates from DLC member utilities. DLC Product ID: PHYWFBE1

AC Input:

120/208/240/277 V

Driver:

Constant current, Non-Class 2, 120-277 VAC, 50-60 Hz
High Efficiency – min. 88%
Off-State Power: 0 Watts
Dimming 0-10V

LEDs:

3000K CCT

Testing:

Atlas LED luminaires have been tested by an independent laboratory in accordance with IESNA LM-79 & LM-80.

Warranty:

Five-year limited warranty

Photo Control:

For factory installed 120V button photo control add suffix PC to part number. Atlas uses only premium LED compatible photocontrols.

Project Information

Job Name

Fixture Type 60 Watt LED Die Cast SlimPak

Catalog Number WSPL60LED3K

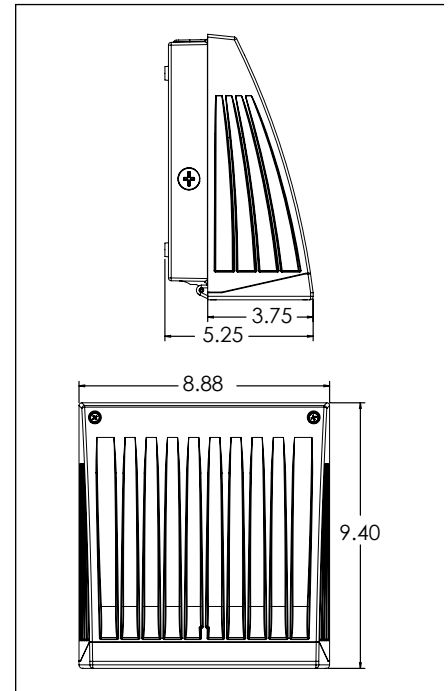
Approved by

Alpha Series LED
PROFESSIONAL GRADE



Patent Pending

DIMENSIONS:



¹LED Life Span Based Upon LM-80 Test Results

**Rebates and Incentives are available in many areas.
Contact an Atlas Representative for more information.**

ATLAS LIGHTING PRODUCTS, INC.

PO BOX 2348 | BURLINGTON, NC 27216
800-849-8485 | FAX: 336-227-0110 | www.atlasled.com

Made in the USA of US and imported parts. Meets Buy American requirements within the ARRA.



SlimPak Pro
Warm Edition

WSPL60LED3K 60 Watt LED SlimPak

ENERGY SAVINGS

LED		HID			ANNUAL SAVINGS
WATTAGE	ANNUAL COST	SOURCE WATTAGE	TOTAL WATTAGE USED	ANNUAL COST	
60	\$26	200	232	\$128	\$102
60	\$26	250	285	\$150	\$124
60	\$26	400	458	\$226	\$200

ATLAS LIGHTING PRODUCTS, INC.

PO BOX 2348 | BURLINGTON, NC 27216

800-849-8485 | FAX: 336-227-0110 | www.atlasled.com

Made in the USA of US and imported parts. Meets Buy American requirements within the ARRA.