



Wall Pak Pro

WPM64LED 64 Watt LED Wall Pak



Project Information

Job Name

Fixture Type 64 Watt LED Die Cast Wall Pak

Catalog Number WPM64LED

Approved by

SPECIFICATIONS:

Lumens: 7501

Watts: 61.48

Lumens/Watt: 122.00

CRI: 81

CCT: 4650

Lifespan: 200,000+ hrs.¹

Construction:

Designed for commercial and industrial applications, providing cooler operating temperatures, brighter light and longer LED life. Manufactured w/ 100% pure aluminum & 0% remelt. Apertures for field or factory installed photocontrol.

Installation:

Labor saving quick mount box with apertures for continuous wiring.

Zero Glare:

Using the latest high brightness, high LED count technology, more usable light output is produced while eliminating glare. The fixture design directs more light down and forward without wasting lumens and offensive light.

Thermal Management:

Atlas Wall Pak Pro fixtures are designed as a complete system to optimize LED life and light output. The Patent Pending thermal stacking heat removal technology extracts heat from within the housing moving it away from LEDs and components. The lower temperatures result in long LED life (200,000+ hrs) and component life and also allows for higher light output.

Listings:

Luminaire is certified to UL/cUL Standards for Wet Locations

Lighting Facts Certified

DesignLights Consortium Premium qualified luminaire, eligible for rebates from DLC member utilities. DLC Product ID: PJ2VR27K

AC Input:

120/208/240/277 V

Driver:

Constant current, Class 2, 120-277 VAC, 50-60 Hz

High Efficiency – min. 88%

Off-State Power: 0 Watts

0-10 V Dimming

LEDs:

4500K CCT

Epoxy Guard™ protective conformal coated boards

Warranty: Five-year limited warranty

Testing:

Atlas LED luminaires have been tested by an independent laboratory in accordance with IESNA LM-79 & LM-80, and have received the Department of Energy "Lighting Facts" label.

Photo Control:

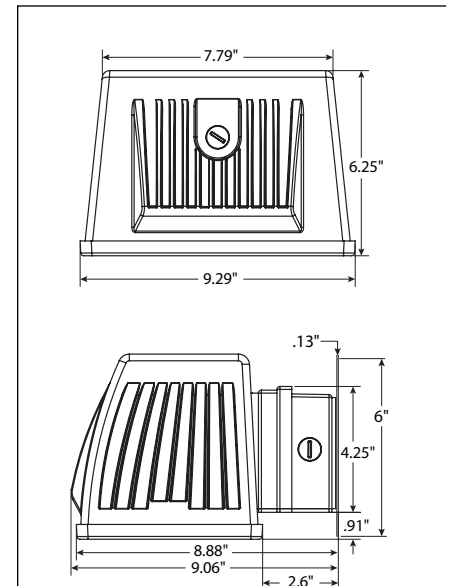
For factory installed 120V button photo control add suffix PC to part number.

Alpha Series LED
PROFESSIONAL GRADE



WPM64LED
Design is Protected
by US Patent D710,530
and D752,274

DIMENSIONS:



¹LED Life Span Based Upon LM-80 Test Results

**Rebates and Incentives are available in many areas.
Contact an Atlas Representative for more information.**

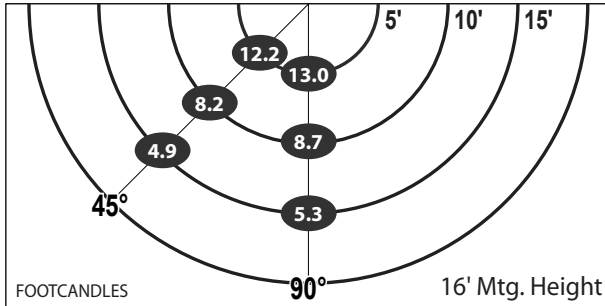
ATLAS LIGHTING PRODUCTS, INC.

PO BOX 2348 | BURLINGTON, NC 27216

800-849-8485 | FAX: 336-227-0110 | www.atlasled.com

*The majority of Atlas Lighting Products are assembled in USA facilities by an American Workforce utilizing both Domestic and Foreign components. Meets Buy American requirements within the ARRA.

PHOTOMETRIC

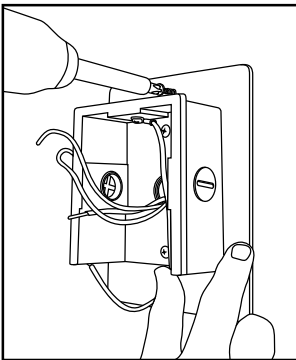


ENERGY SAVINGS

LED		HID			ANNUAL SAVINGS
WATTAGE	ANNUAL COST	SOURCE WATTAGE	TOTAL WATTAGE USED	ANNUAL COST	
64	\$28	200	232	\$128	\$100
64	\$28	250	285	\$150	\$122
64	\$28	400	458	\$226	\$198

LABOR SAVING: QUICK & SECURE MOUNTING

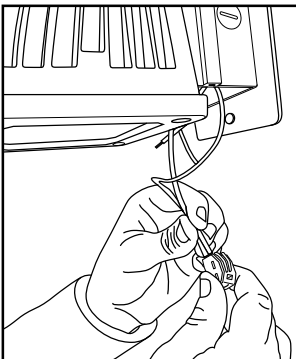
Protected by US Patent D752,274



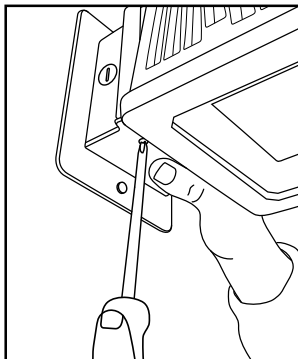
Secure Mounting Plate with back box to wall



Slide fixture housing onto mounting box



Connect wires & return them to mounting box



Replace bottom plate on quick mount box

Atlas Lighting Products, Inc.

LED lighting facts
A Program of the U.S. DOE

Light Output (Lumens)	7501
Watts	61.48
Lumens per Watt (Efficacy)	122.01

Color Accuracy	81
Color Rendering Index (CRI)	

Light Color	4650 (Daylight)
Correlated Color Temperature (CCT)	

2700K 3000K 4500K 6500K

Warm White Bright White Daylight

All results are according to IESNA LM-79-2008: *Approved Method for the Electrical and Photometric Testing of Solid-State Lighting*. The U.S. Department of Energy (DOE) verifies product test data and results.

Visit www.lightingfacts.com for the **Label Reference Guide**.

Registration Number: PRB4-MJL2HM (7/28/2017)
 Model Number: WPM64LED [Upgrade : 7/28/2017]
 Type: Luminaire - Area/Roadway