



Wall Pak Pro

WPL102LED 102 Watt LED Wall Pak



Project Information

Job Name

Fixture Type 102 Watt LED Die Cast Wall Pak

Catalog Number WPL102LED

Approved by

SPECIFICATIONS:

Lumens: 14060

Watts: 99.16

Lumens/Watt: 141.79

CRI: 83

CCT: 4805

Lifespan: 200,000+ hrs.¹

Construction:

Designed for commercial and industrial applications, providing cooler operating temperatures, brighter light and longer LED life. Manufactured w/ 100% pure aluminum & 0% remelt. Apertures for field or factory installed photocontrol.

Installation:

Labor saving quick mount box with apertures for continuous wiring.

Zero Glare:

Using the latest high brightness, high LED count technology, more usable light output is produced while eliminating glare. The fixture design directs more light down and forward without wasting lumens and offensive light.

Thermal Management:

Atlas Wall Pak Pro fixtures are designed as a complete system to optimize LED life and light output. The Patent Pending thermal stacking heat removal technology extracts heat from within the housing moving it away from LEDs and components. The lower temperatures result in long LED life (200,000+ hrs) and component life and also allows for higher light output.

Listings:

Luminaire is certified to UL/cUL Standards for Wet Locations

Lighting Facts Certified

DesignLights Consortium Premium qualified luminaire, eligible for rebates from DLC member utilities. DLC Product ID: P266RYV4

AC Input:

120/208/240/277 V

Driver:

Constant current, Class 2, 120-277 VAC, 50-60 Hz

High Efficiency – min. 84%

Off-State Power: 0 Watts

0-10 V Dimming

LEDs:

4500K CCT

Epoxy Guard™ protective conformal coated boards

Warranty: Five-year limited warranty

Testing:

Atlas LED luminaires have been tested by an independent laboratory in accordance with IESNA LM-79 & LM-80.

Options:

Photo Control - For factory installed 120V button photo control add suffix PC to part number.

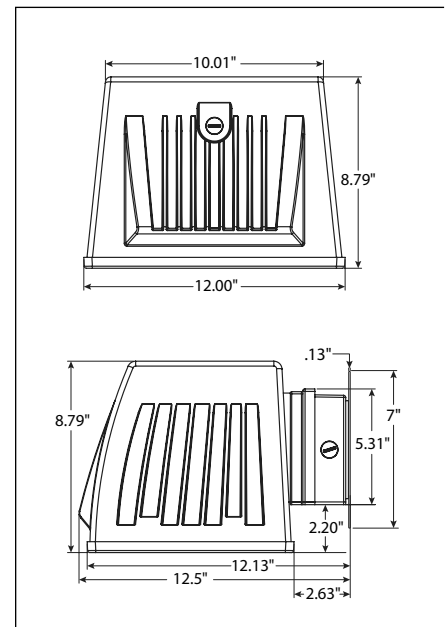
480 Volt - For 480V add suffix 4 to part number.

Alpha Series LED
PROFESSIONAL GRADE



WPL102LED Design is Protected by US Patent D740,997 and D752,274

DIMENSIONS:



¹LED Life Span Based Upon LM-80 Test Results

Rebates and Incentives are available in many areas. Contact an Atlas Representative for more information.

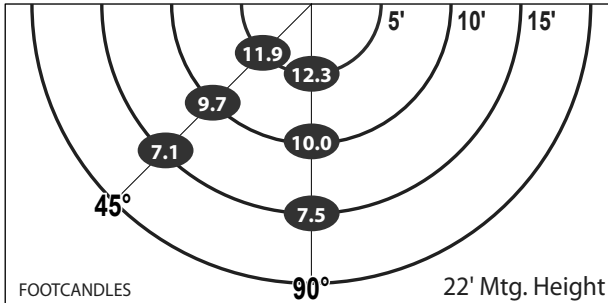
ATLAS LIGHTING PRODUCTS, INC.

PO BOX 2348 | BURLINGTON, NC 27216

800-849-8485 | FAX: 336-227-0110 | www.atlasled.com

*The majority of Atlas Lighting Products are assembled in USA facilities by an American Workforce utilizing both Domestic and Foreign components. Meets Buy American requirements within the ARRA.

PHOTOMETRIC

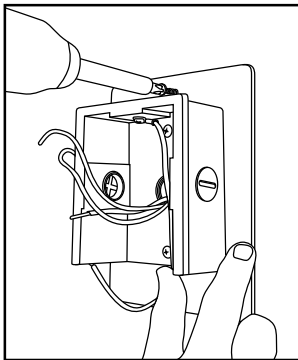


ENERGY SAVINGS

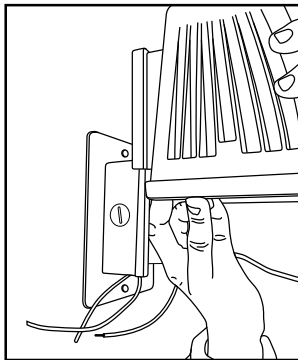
LED		HID			ANNUAL SAVINGS
WATTAGE	ANNUAL COST	SOURCE WATTAGE	TOTAL WATTAGE USED	ANNUAL COST	
102	\$45	200	232	\$128	\$83
102	\$45	250	285	\$150	\$105
102	\$45	400	458	\$226	\$181

LABOR SAVING: QUICK & SECURE MOUNTING

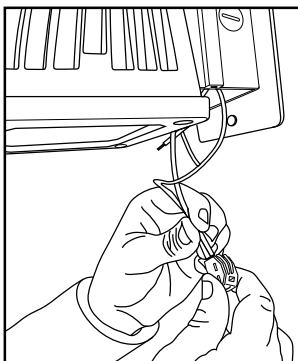
Protected by US Patent D752,274



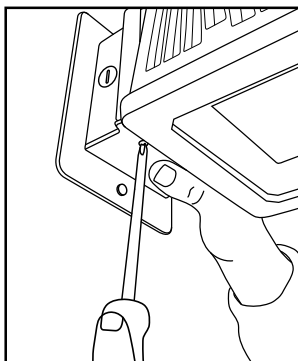
Secure Mounting Plate with back box to wall



Slide fixture housing onto mounting box



Connect wires & return them to mounting box



Replace bottom plate on quick mount box

Atlas Lighting Products, Inc.

LED lighting facts
A Program of the U.S. DOE

Light Output (Lumens)	14060
Watts	99.16
Lumens per Watt (Efficacy)	141.79

Color Accuracy Color Rendering Index (CRI)	83
--	-----------

Light Color Correlated Color Temperature (CCT)	4805 (Daylight)
--	------------------------

↓

Warm White	Bright White	Daylight
2700K	3000K	4500K

All results are according to IESNA LM-79-2008: *Approved Method for the Electrical and Photometric Testing of Solid-State Lighting*. The U.S. Department of Energy (DOE) verifies product test data and results.

Visit www.lightingfacts.com for the **Label Reference Guide**.

Registration Number: PRB4-WR5AUW (3/28/2017)
Model Number: WPL102LED
Type: Luminaire - Area/Roadway