



Wall Light

WLM43LED 43 Watt LED Wall Light



SPECIFICATIONS:

Lumens: 4350
Watts: 40.79
Lumens/Watt: 106.6
CRI: 82.2
CCT: 4579
Lifespan: 200,000+ hrs.¹

Construction:

Rugged Traditional aluminum die cast housing provides proven environmental protection for LED modules. Traditional fixture designs provide a familiar look and standard installation requirements. Retaining this look allows the ability to upgrade fixtures gradually, while retaining the same overall fixture appearance throughout a facility.

Glare Free:

Positioning of the LED modules within the housing result in light directed to desired locations and eliminates offensive light.

Lens:

Lens assembly is designed to provide high efficiency and to target the light where needed to satisfy outdoor lighting requirements. Positioning of the LEDs (along with Patent Pending thermal management system) results in the light being directed to desired locations eliminating glare and offensive light.

Thermal Management:

Atlas' Patent Pending exclusive Thermal Management System™ features a unique internal design that allows for lower operating temperatures which results in a brighter, whiter light, more stable color and longer LED and driver life.

Listings:

Luminaire is certified to UL/cUL Standards for Wet Locations
 Lighting Facts Certified
 DesignLights Consortium qualified luminaire, eligible for rebates from DLC member utilities. DLC Product ID: PDG4N6GHG

AC Input:

120/208/240/277 V

Driver:

Constant current, Class 2, 120-277 VAC, 50-60 Hz
 High Efficiency – min. 88%
 0-10 V Dimming

LEDs:

4500K CCT
 Epoxy Guard™ protective conformal coated boards
 Atlas LEDs provide higher lumen output, greater energy efficiency and more reliable fixture performance. They are tested and binned at 700mA which is the actual operating current used in Atlas LED luminaires, giving a better representation of actual performance.

Warranty: Five-year limited warranty

Testing:

Atlas LED luminaires have been tested by an independent laboratory in accordance with IESNA LM-79 & LM-80, and have received the Department of Energy "Lighting Facts" label.

Installation: Fixture retains the same knock-out sizes and positions as previous models, reducing wiring costs.

Photo Control: For factory installed 120V button photo control add suffix PC to part number.

Emergency Back-up: For factory installed Emergency Back-Up add suffix EB to part number.

480 Volt: For 480V add suffix 4 to part number.

Weight: 9.25 lbs.

Project Information

Job Name

Fixture Type 43 Watt LED Die Cast Wall Light

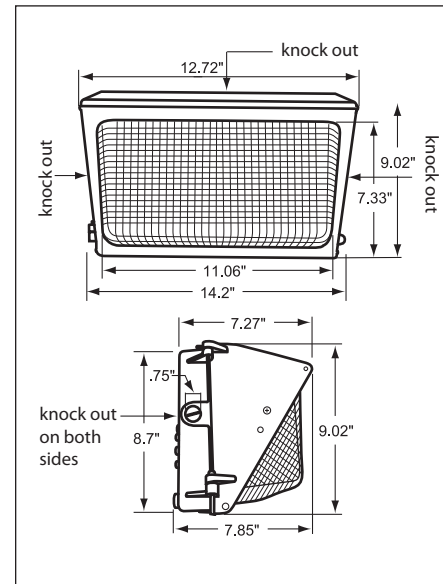
Catalog Number WLM43LED

Approved by



WLM43LED Design is Protected by U.S. Patent No. 9,482,395

DIMENSIONS:



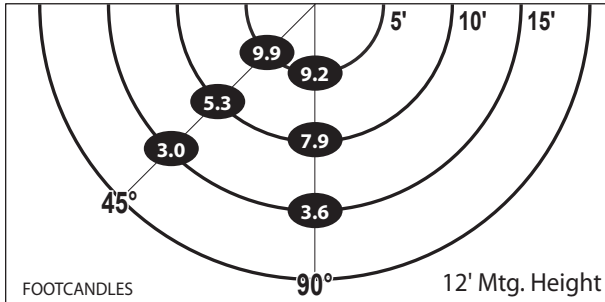
¹LED Life Span Based Upon LM-80 Test Results

ATLAS LIGHTING PRODUCTS, INC.

PO BOX 2348 | BURLINGTON, NC 27216
 800-849-8485 | FAX: 336-227-0110 | www.atlaslightingproducts.com

*The majority of Atlas Lighting Products are assembled in USA facilities by an American Workforce utilizing both Domestic and Foreign components. Meets Buy American requirements within the ARRA.

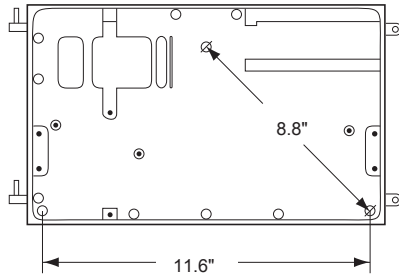
PHOTOMETRIC



ENERGY SAVINGS

LED		HID			ANNUAL SAVINGS
WATTAGE	ANNUAL COST	SOURCE WATTAGE	TOTAL WATTAGE USED	ANNUAL COST	
43	\$19	100	129	\$77	\$58
43	\$19	150	185	\$100	\$81
43	\$19	175	210	\$112	\$93

MOUNTING DETAIL



Atlas Lighting Products, Inc.

LED lighting facts®
A Program of the U.S. DOE

Light Output (Lumens)	4350
Watts	40.79
Lumens per Watt (Efficacy)	106.65

Color Accuracy Color Rendering Index (CRI)	82
--	-----------

Light Color Correlated Color Temperature (CCT)	4579 (Daylight)
--	------------------------

2700K 3000K 4500K 6500K

Warm White Bright White Daylight

All results are according to IESNA LM-79-2008: *Approved Method for the Electrical and Photometric Testing of Solid-State Lighting*. The U.S. Department of Energy (DOE) verifies product test data and results.

Visit www.lightingfacts.com for the **Label Reference Guide**.

Registration Number: PRB4-2DAOQF (8/1/2016)
Model Number: WLM43LED [Upgrade : 8/1/2016]
Type: Luminaire - Area/Roadway