



Extra-Wide Flood

Warm Edition

Project Information

Job Name

Fixture Type 64 Watt LED Extra-Wide Flood Light

Catalog Number PFMXW64LED3K

Approved by

PFMXW64LED3K 64 Watt LED Extra-Wide Flood Light



SPECIFICATIONS:

Lumens: 7,836
Watts: 62.45
Lumens/Watt: 125.5
CRI: 81
CCT: 3098
Lifespan: 200,000+ hrs.¹

Construction:

Designed for commercial and industrial applications, providing cooler operating temperatures, brighter light and longer LED life. Apertures for field or factory installed photocontrol. Heavy duty knuckle with 90° adjustment.

Extra Wide Distribution Pattern:

Designed to provide maximum light spread for short set backs when lighting signs and washing walls.

Thermal Management:

Atlas Extra-Wide Flood Lights are designed as a complete system to optimize LED life and light output. The Patent Pending thermal stacking heat removal technology extracts heat from within the housing moving it away from LEDs and components. The lower temperatures result in long LED life (200,000+ hrs) and component life and also allows for higher light output.

Listings:

Luminaire is certified to UL/cUL Standards for Wet Locations Lighting Facts Certified DesignLights Consortium Premium qualified luminaire, eligible for rebates from DLC member utilities. DLC Product ID: PKSGH5IY

AC Input:

120/208/240/277 V

Driver:

Constant current, Class 2, 120-277 VAC, 50-60 Hz
High Efficiency – min. 84%
Off-State Power: 0 Watts
0-10 V Dimming

LEDs:

3000K CCT
Epoxy Guard™ protective conformal coated boards

Atlas LEDs provide higher lumen output, greater energy efficiency and more reliable fixture performance.

Testing:

Atlas LED luminaires have been tested by an independent laboratory in accordance with IESNA LM-79 & LM-80, and have received the Department of Energy "Lighting Facts" label.

Warranty:

Five-year limited warranty

Photo Control:

For factory installed 120V button photo control add suffix PC to part number.

Alpha Series LED
PROFESSIONAL GRADE

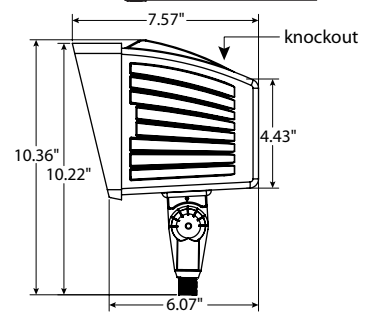
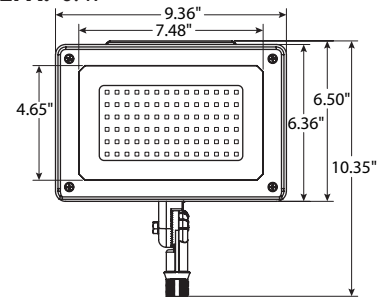


PFMXW64LED3K
Design is Protected
by US Patent D710,530

DIMENSIONS:

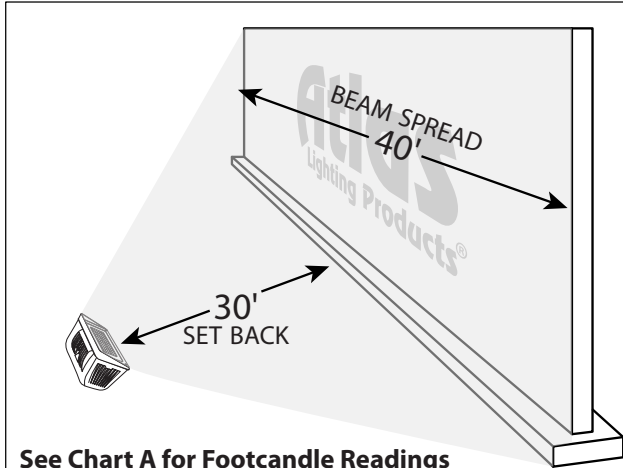
Weight: 10 lbs.

EPA: 0.47



¹LED Life Span Based Upon LM-80 Test Results

PHOTOMETRIC



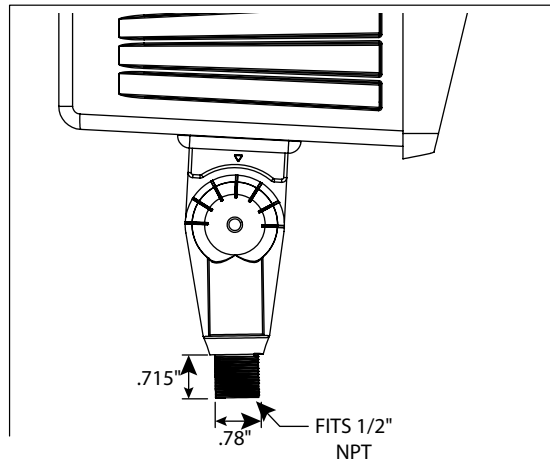
See Chart A for Footcandle Readings

| FOOTCANDLE READINGS (CHART A) | | | | |
|-------------------------------|-----|-----|-----|-----|
| 0' | 5' | 10' | 15' | 20' |
| 6.0 | 5.5 | 4.5 | 3.3 | 2.3 |

ENERGY SAVINGS

| LED | | HID | | | ANNUAL SAVINGS |
|---------|-------------|----------------|--------------------|-------------|----------------|
| WATTAGE | ANNUAL COST | SOURCE WATTAGE | TOTAL WATTAGE USED | ANNUAL COST | |
| 64 | \$28 | 200 | 232 | \$128 | \$100 |
| 64 | \$28 | 250 | 285 | \$150 | \$122 |
| 64 | \$28 | 400 | 458 | \$226 | \$198 |

MOUNTING DETAIL



Atlas Lighting Products, Inc.

LED lighting facts
A Program of the U.S. DOE

| | |
|----------------------------|--------|
| Light Output (Lumens) | 7836 |
| Watts | 62.45 |
| Lumens per Watt (Efficacy) | 125.48 |

| | |
|-----------------------------|----|
| Color Accuracy | 81 |
| Color Rendering Index (CRI) | |

| | |
|------------------------------------|---------------------|
| Light Color | 3098 (Bright White) |
| Correlated Color Temperature (CCT) | |

↓

| | | |
|------------|--------------|-------------|
| Warm White | Bright White | Daylight |
| 2700K | 3000K | 4500K 6500K |

All results are according to IESNA LM-79-2008: *Approved Method for the Electrical and Photometric Testing of Solid-State Lighting*. The U.S. Department of Energy (DOE) verifies product test data and results.

Visit www.lightingfacts.com for the *Label Reference Guide*.

Registration Number: PRB4-OQWUJW (9/29/2017)
 Model Number: PFMXW64LED3K
 Type: Luminaire - Area/Roadway